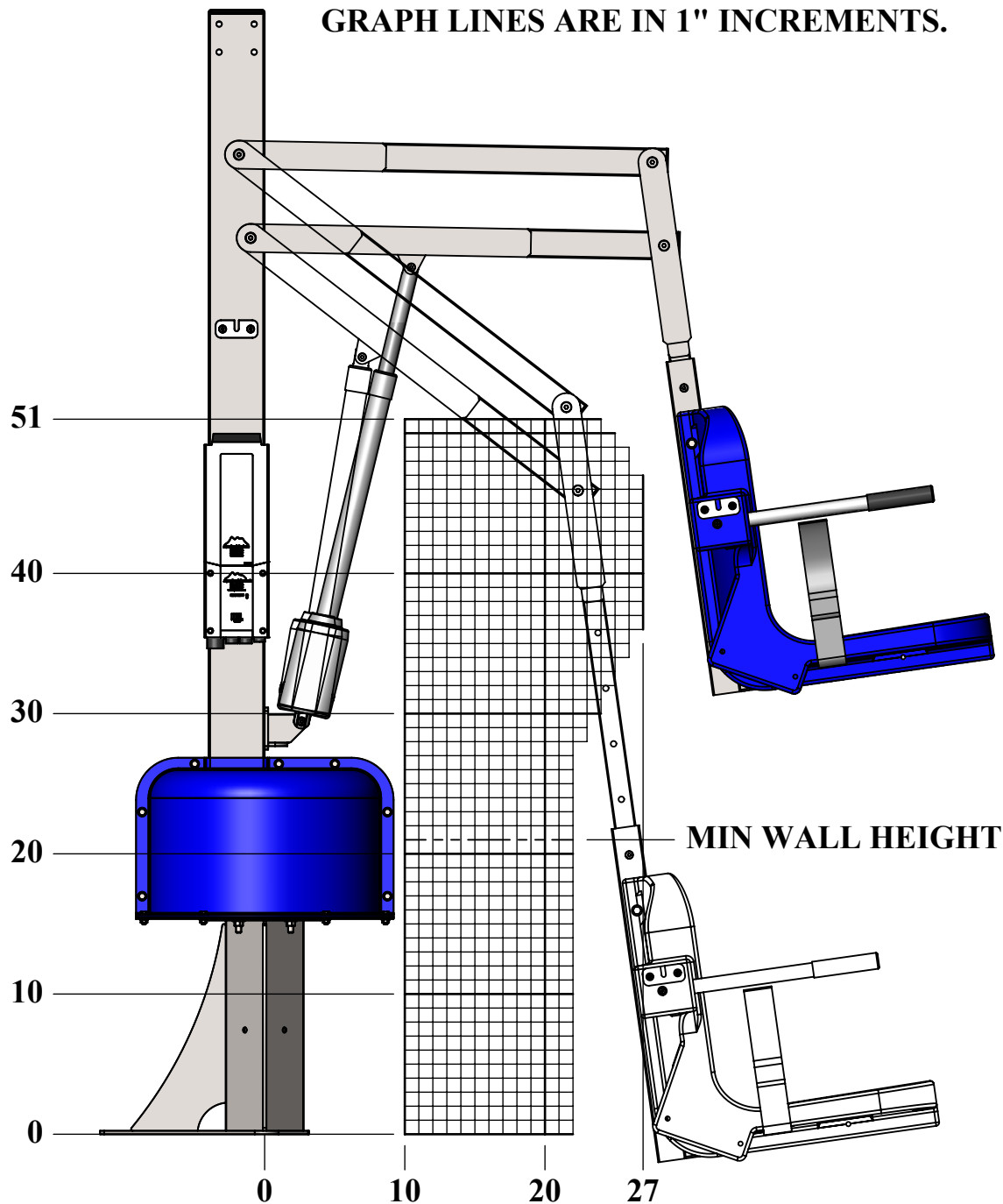


SPA LIFT ULTRA GRAPH CHART

MINIMUM SETBACK = 10"

MAXIMUM WALL THICKNESS = 17"

DRAW YOUR PROFILE ON THE GRAPH USING THE FRONT ANCHORS AS YOUR START POINT. ALL GRAPH LINES ARE IN 1" INCREMENTS.



9889 GARRYMORE LANE
 MISSOULA, MT 59808
 (406) 549-0769
 FAX (406) 549-2602

NOTE:
 *SPECIFICATIONS ARE SUBJECT TO CHANGE WITHOUT NOTICE

| | | | |
|-----------|------|----------------|------------|
| PRODUCT: | | SPA LIFT ULTRA | |
| PART #: | | F-005SLU | |
| SCALE: | 1:12 | DATE: | 12/23/2019 |
| DRAWN BY: | KR | REVISION: | 05 |