



INSTALLATION & OPERATION MANUAL

MODEL: ACCESSORY - ADJUSTABLE SEAT POLE - RANGER
CATALOG #: F-AACA

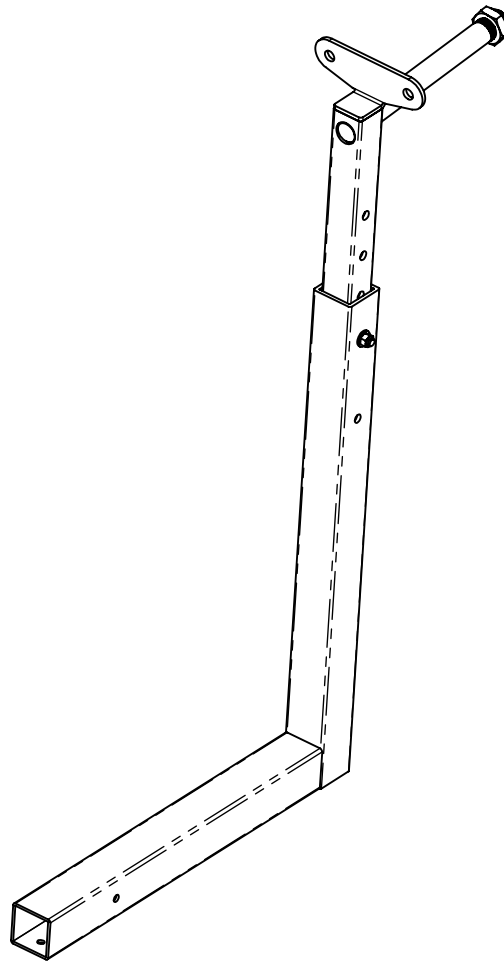




TABLE OF CONTENTS

SAFETY INFORMATION.....	3
ADA REQUIREMENTS FOR POOL LIFTS (US ONLY).....	4
PRODUCT COMPONENTS.....	5
PRODUCT ASSEMBLY.....	6-9



IMPORTANT SAFETY INFORMATION



When installing this product, basic safety precautions should always be followed, including the following:

READ ALL INSTRUCTIONS BEFORE USING

WARNING - To reduce the risk of injury, do not permit children to use this product unless they are closely supervised at all times.

This appliance is not intended for use by persons (including children) with reduced physical, sensory or mental capabilities, or lack of experience and knowledge, unless they have been given supervision or instruction concerning the use of the appliance by a person responsible for their safety.

A wire connector is provided on this appliance to connect a minimum 8AWG (8.4mm²) solid copper conductor between this unit and the means of equipotential bonding.

Check appliance periodically for signs of deterioration: Keep all nuts, bolts and screws tight to be sure the lift is in safe working condition.

SAVE THESE INSTRUCTIONS

Affix the supplied "ADA POOL/SPA LIFT" sign in a location visible from the appliance at all times.

Rechargeable batteries are to be removed from the appliance before being charged. Batteries are to be installed with the correct polarity. If the appliance is to be stored unused for a long period of time, the batteries should be removed and stored on the wall mounted charger to maintain the battery charge. The supply terminals are NOT to be short-circuited.

REDUCE THE RISK OF DROWNING

- Never swim alone.
- Never use the appliance to enter an empty pool.
- Never apply direct water pressure to the electronics.
- Never permit children to play on or around this appliance.
- Supervise children at all times.

DO NOT jump or dive from this appliance.

Seat may be hot, use caution when entering.

Keep appliance covered when not in use. Inspect and clean before use.

READ CAREFULLY

Check the entire box and all packing materials for parts. Before beginning assembly, read the instructions and identify parts using the figures and parts listed in this document. It is critical that all parts be carefully inspected prior to installation. If any damage occurred in transit, Aqua Creek Products LLC must be notified within three (3) days of receipt. Proper installation cannot be over-stressed, as an improper installation will void Aqua Creek's warranty and may affect the safety of the user.

FOR INDOOR OR OUTDOOR USE

ADA REQUIREMENTS FOR POOL LIFTS* (US ONLY)

1009.2.1 Pool Lift Location

Pool lift shall be located where the water level does not exceed 48". If entire pool water level exceeds 48", place pool lift where convenient.

1009.2.2 Seat Location

In the raised position, the centerline of the seat shall be located over the deck a minimum of 16" from the edge of the pool.

1009.2.3 Clear Deck Space

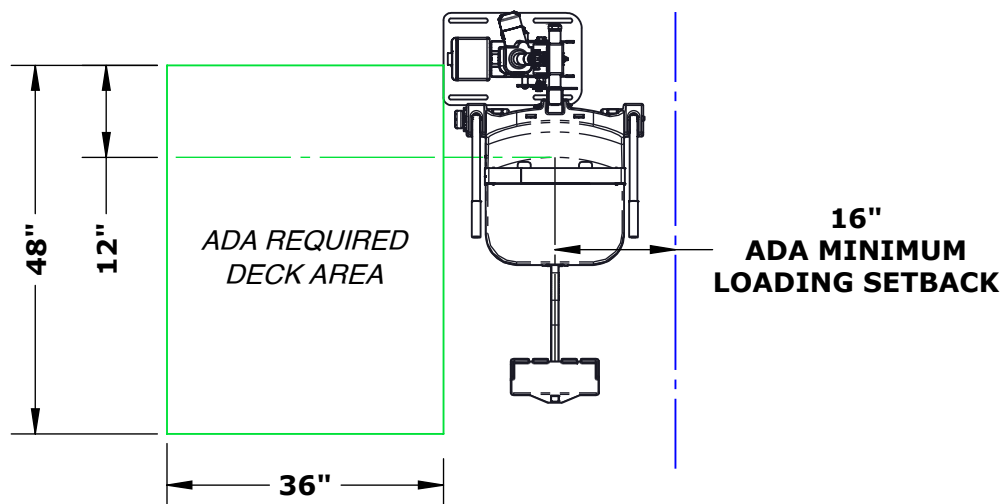
On the side of the seat opposite the water; a clear deck space shall be provided parallel with the seat. The space shall be 36" wide minimum and shall extend forward 48" minimum from a line located 12" behind the rear edge of the seat.

1009.2.4 Seat Height

The lift shall stop at 16" - 19" measured from the deck to the top of the seat surface when in the loading position.

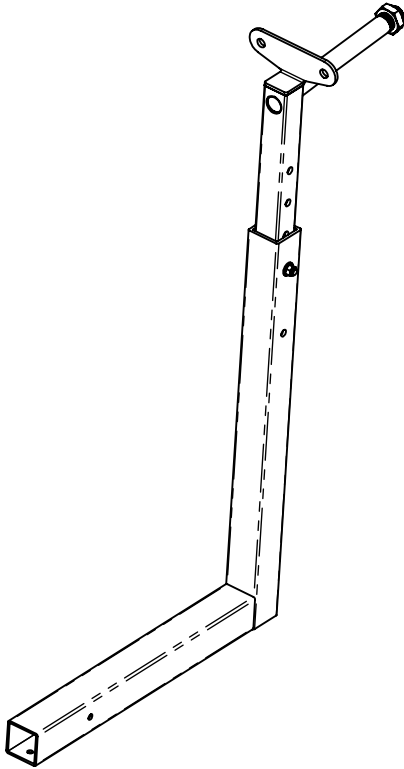
1009.2.8 Submerged Depth

The lift shall submerge the seat a minimum of 18" below the stationary water level



*Compliance with ADA is the responsibility of the pool owner. Visit www.ada.gov for complete guidelines.

PRODUCT COMPONENTS



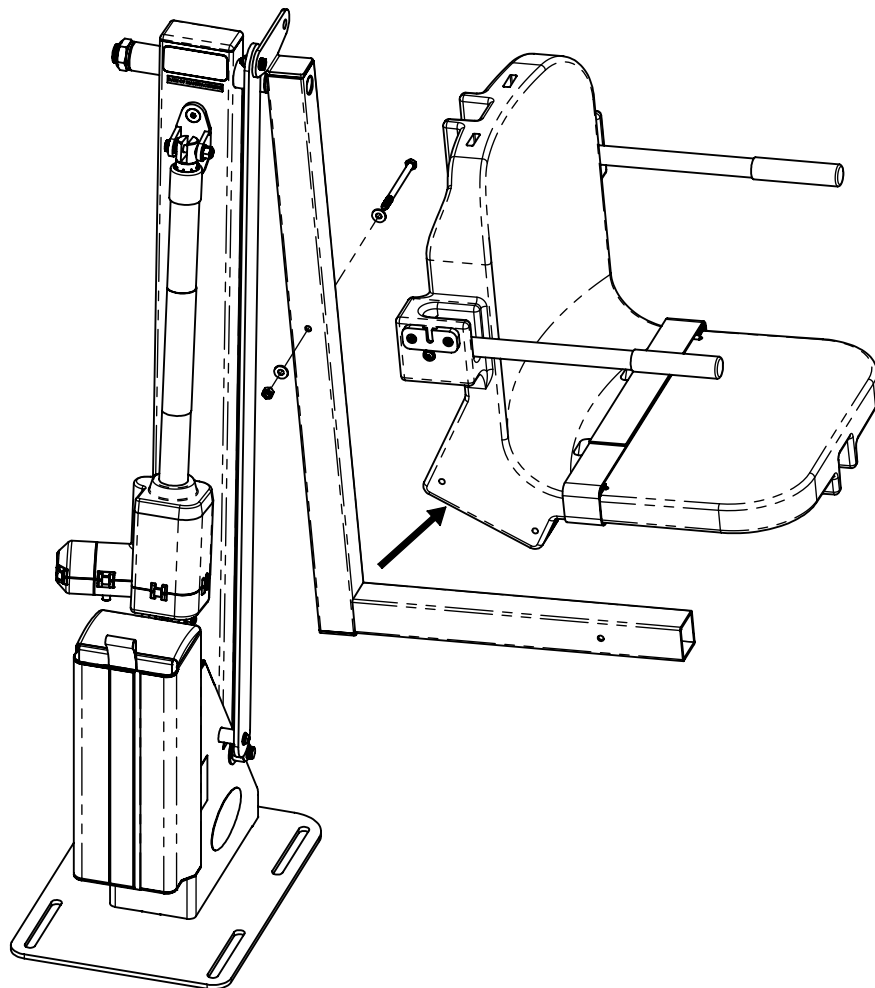
ACCESSORY - ADJUSTABLE SEAT POLE - RANGER - INV03488				
ITEM	PART NO.	QTY.	REV.	DESCRIPTION
1	INV02017	1	2	WELDMENT - ADJ. SEAT POLE - ADMRL
2	INV01984	1	1	WELDMENT - SEAT CRADLE
3	INV00746	1	N/A	NNJ - 1"-8 NYLOCK JAM NUT
4	INV00464	1	N/A	BS - 3/8"X2"X5/16"-18 SHOULDER BOLT
5	INV01176	1	N/A	WF - 5/16" FLAT WASHER
6	INV00742	1	N/A	NN - 5/16"-18 NYLOCK NUT

TOOLS REQUIRED

SOCKETS/WRENCHES	ALLEN KEYS/TORX
1 1/2"	3/16"
1/2"	

PRODUCT ASSEMBLY

**STEP 1)
UNDO BOLT AND REMOVE SEAT
ASSEMBLY, SAVE BOLT, WASHER, AND
NUT FOR ATTACHING SEAT TO THE NEW
ADJUSTABLE SEAT CRADLE.**

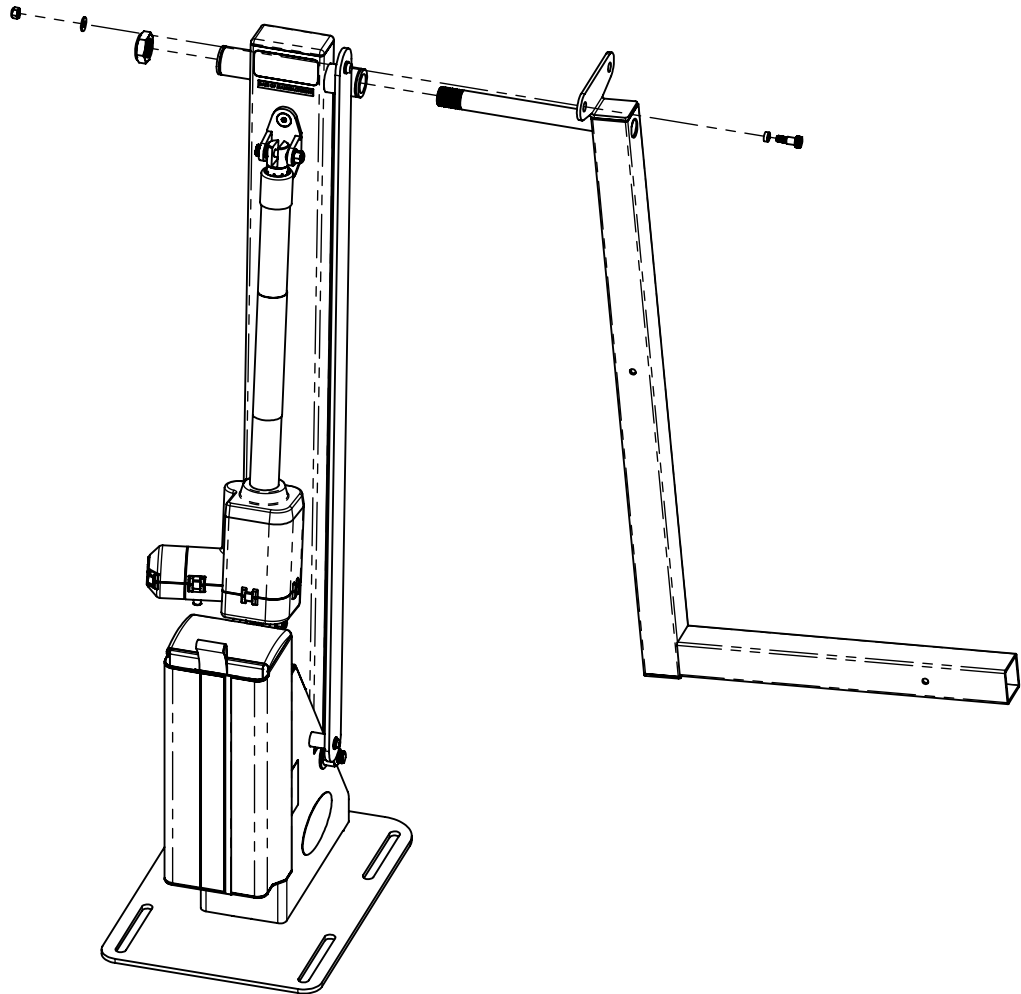


PRODUCT ASSEMBLY

STEP 2)

**REMOVE NYLOCK JAM NUT ON END OF SEAT POLE.
REMOVE CONTROL ARM BOLT THEN REMOVE SEAT
CRADLE.**

**SAVE CONTROL ARM NUT, BOLT, WASHER, AND BUSHING
TO USE WHEN INSTALLING THE ADJUSTABLE SEAT POLE.**

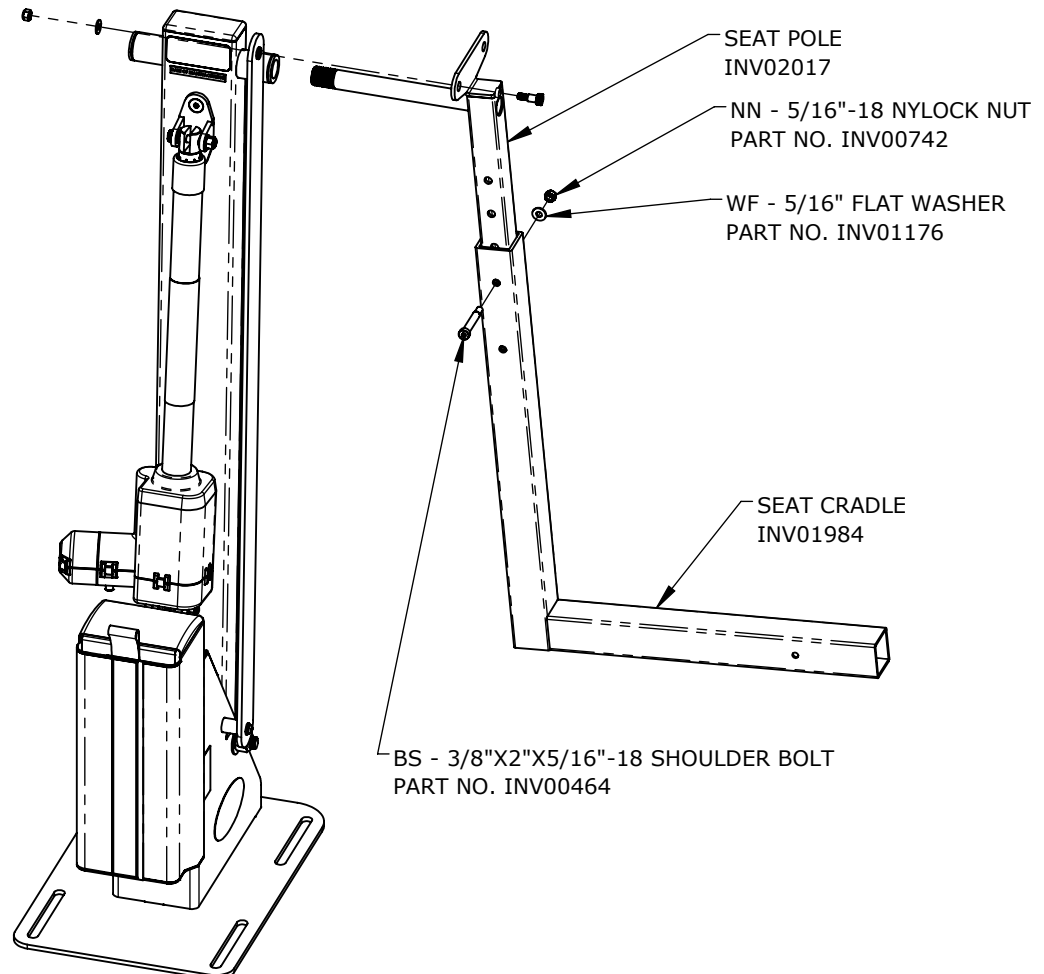


PRODUCT ASSEMBLY

STEP 3)

ATTACH ADJUSTABLE SEAT POLE USING 1" NYLOCK JAM NUT. ATTACH SEAT CRADLE TO SEAT POLE USING THE 3/8" SHOULDER BOLT. USE OLD HARDWARE AND BUSHING TO ATTACH CONTROL ARM TO THE SEAT POLE AS SHOWN

NNJ - 1"-8 NYLOCK JAM NUT
PART NO. INV00746



PRODUCT ASSEMBLY

STEP 4)
ATTACH SEAT TO SEAT CRADLE USING
THE 5/16 HEX HEAD BOLT AS SHOWN
FROM WHEN THE SEAT WAS REMOVED
FROM THE FIXED HEIGHT SEAT POLE

