

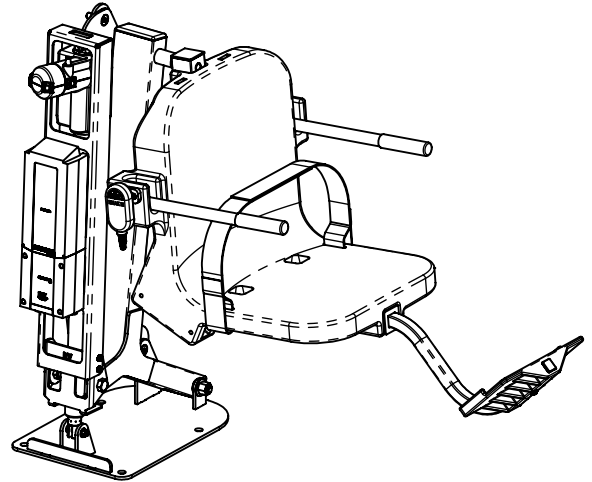
MANDATORY

LEAVE THIS MANUAL WITH OWNER

Read and follow all instructions.
Lift safety can only be ensured if the lift is
installed and operated according to these
instructions.

• FOR SAFETY REASONS

- **NEVER** swim alone
- **NEVER** use the lift with a dry pool
- **NEVER** apply direct water pressure to the electronics
- **NEVER** permit children to play on or around the lift
- **DO NOT** allow children to use the lift without adult supervision



READ CAREFULLY

Check entire box and all packing materials for parts. Before beginning assembly, read the instructions and identify parts using the figures and parts listed in this document.

It is critical that all parts be carefully inspected prior to installation. If any damage occurred in transit, Aqua Creek Products, LLC must be notified within three days of receipt of unit.

Proper installation cannot be overstressed, as an improper installation voids Aqua Creek's warranty and may affect the safety of the user.

Aqua Creek Products, LLC

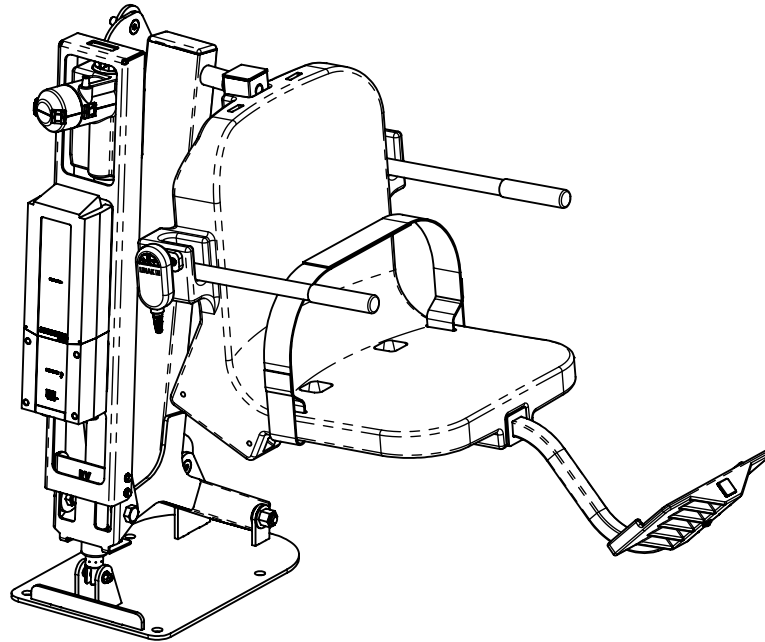
9889 Garrymore Lane
Missoula, MT 59808
Toll Free: (888) 687-3552
Local/Intl: (406) 549-0769
www.aquacreek.com



Aqua Creek Products

Leaders in Recreation, Fitness and Ability

PRODUCT ASSEMBLY



**HARDWARE NOT SUPPLIED
KEEP ALL ORIGINAL HARDWARE TO ASSEMBLE NEW COMPONENTS**

PART NO.	QTY.	REV.	DESCRIPTION
INV00715	1	P1	BRACKET - LINAK MOUNT
INV02389	1	P1	CONTROL BOX - LINAK 2 PORT - 10 AMP
INV00340	1	P1	BATTERY - LINAK 24V - 2PC
INV01846	1	P1	REMOTE - 2 BUTTON LINAK
INV03478	1	1	ACTUATOR, FRAME & BRACKET KIT - RANGER LIFTS - OLD 'H' FRAME TO UNIVERSAL - 45X11X14 @ 28#
CHARGER NOT SHOWN IN MANUAL			
INV00514	1		CHARGER - WALL MOUNT - 24V LINAK - DOE - 2PC CONTROLS
INV00716	1		BRACKET - MOUNTING "I" SHAPE - LINAK CHARGER - W- 2QTY SCREWS
INV00104	1		COVER - BOTTOM - LINAK JUMBO CHARGER



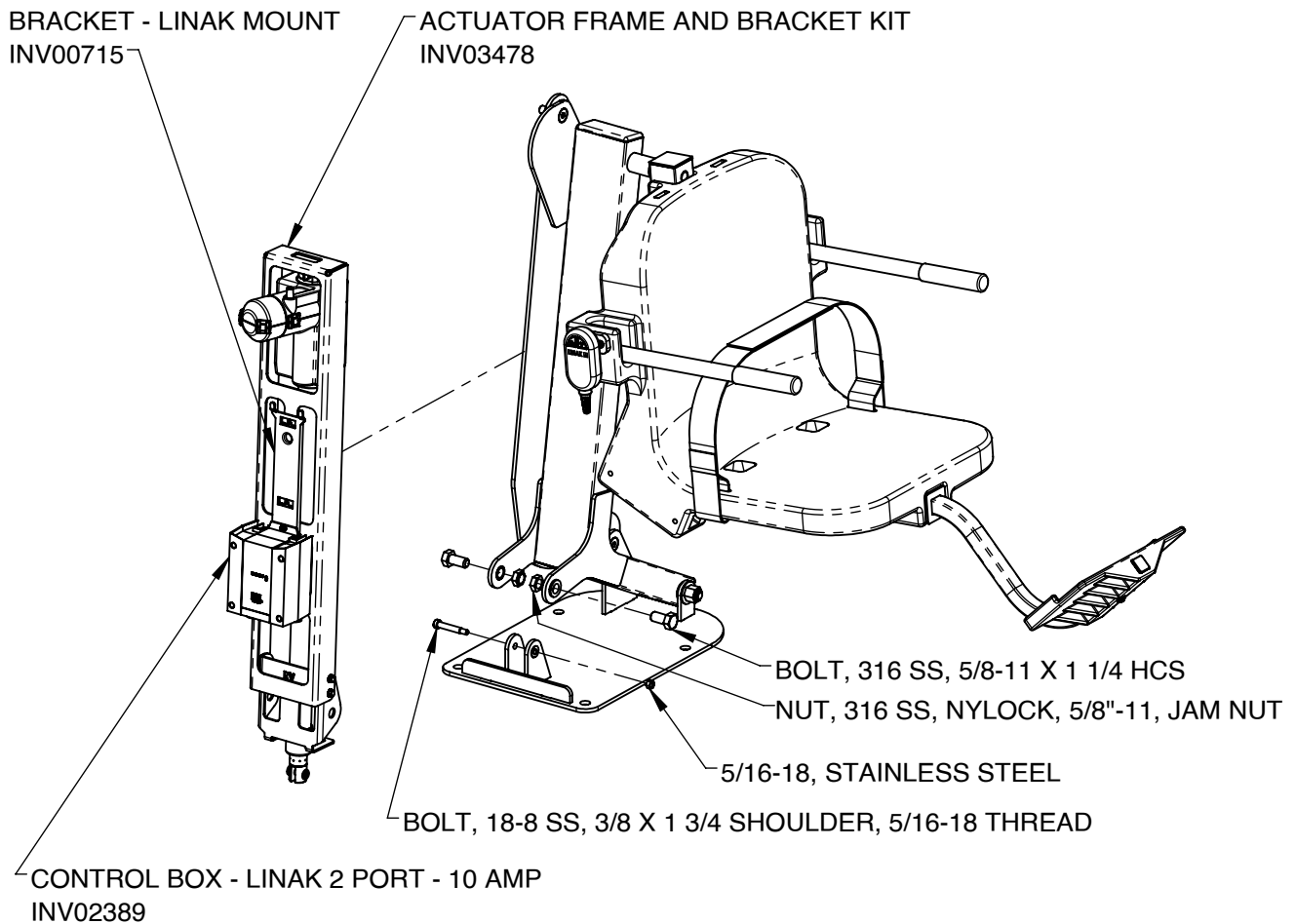
Aqua Creek Products

Leaders in Recreation, Fitness and Ability

PRODUCT ASSEMBLY

STEP 1

ATTACH THE ACTUATOR FRAME AND BRACKET KIT AS SHOWN USING ORIGINAL HARDWARE. THE LINAK CONTROL BOX AND BRACKET ARE PRE INSTALLED ONTO THE ACTUATOR FRAME AT THE FACTORY.





Aqua Creek Products

—Leaders in Recreation, Fitness and Ability—

PRODUCT ASSEMBLY

STEP 2

ATTACH BATTERY, MAKE SURE BATTERY IS PROPERLY SEATED MAKING GOOD CONTACT. BATTERY SHOULD BE FIRMLY ATTACHED TO TABS ON TOP OF MOUNTING BRACKET. PLUG IN HAND HELD REMOTE TO THE BOTTOM OF CONTROL BOX.

TEST CYCLE LIFT WITH NO OCCUPANT. IF LIFT DOESN'T CYCLE CHECK REMOTE PLUG TO MAKE SURE ITS FULLY INSERTED IN THE CONTROL BOX. ALSO VERIFY BATTERY IS PROPERLY SEATED AND HAS A CHARGE.

