

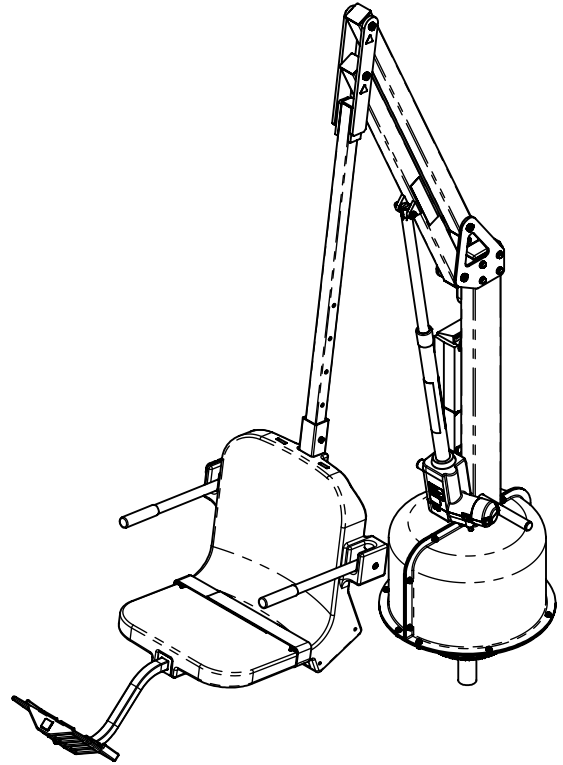
MANDATORY

LEAVE THIS MANUAL WITH OWNER

Read and follow all instructions.
Lift safety can only be ensured if the lift is installed and operated according to these instructions.

• **FOR SAFETY REASONS**

- **NEVER** swim alone
- **NEVER** use the lift with a dry pool
- **NEVER** apply direct water pressure to the electronics
- **NEVER** permit children to play on or around the lift
- **DO NOT** allow children to use the lift without adult supervision



READ CAREFULLY

Check entire box and all packing materials for parts. Before beginning assembly, read the instructions and identify parts using the figures and parts listed in this document.

It is critical that all parts be carefully inspected prior to installation. If any damage occurred in transit, Aqua Creek Products, LLC must be notified within three days of receipt of unit.

Proper installation cannot be overstressed, as an improper installation voids Aqua Creek's warranty and may affect the safety of the user.

Aqua Creek Products, LLC

9889 Garrymore Lane
Missoula, MT 59808
Toll Free: (888) 687-3552
Local/Intnl: (406) 549-0769
www.aquacreek.com



Aqua Creek Products

Leaders in Recreation, Fitness and Ability

PRODUCT ASSEMBLY

ELECTRONIC CONVERSION KIT - INV01492			
PART NO.	QTY.	REV.	DESCRIPTION
INV01845	1	P1	REMOTE - 4 BUTTON LINAK
INV03475	1	1	BRACKET - LINAK MOUNT
INV00471	2	P1	BSH - #10-24x3/8" SOCKET HEAD BOLT
INV02389	1	P1	CONTROL BOX - LINAK 2 PORT - 10 AMP
INV00340	1	P1	BATTERY - LINAK 24V - 2PC
INV00646	1	P1	LABEL #133 - PROP 65 (BATTERY)
INV01804	1	P1	LABEL #146 - DAILY CHARGE
INV00239	1	P1	ACTUATOR - LINAK - 400MM - 90DEG
INV01059	1	1	ADAPTER BRACKET - JUMBO SCOUT
INV00362	3	P1	BC - 1/4"-20X3/4" - FLAT HEAD COUNTERSINK
INV00715	1	1	BRACKET KIT - MOUNTING "T" SHAPE - LINAK CONTROL BOX - W-SCREW + WASHER
INV01172	3	1	WF - #10 FLAT WASHER 316 S.S.
INV00514	1	1	CHARGER - WALL MOUNT - 24V LINAK - DOE - 2PC CONTROLS
INV00716	1	1	BRACKET KIT - MOUNTING "I" SHAPE - LINAK CHARGER - W- 2QTY SCREWS + 2 WASHERS
INV00104	1	1	COVER - BOTTOM - LINAK JUMBO CHARGER
INV00255	1	1	MOTOR - DCG 24V
INV00303	1	1	ANTI-SEIZE - PACKET - 5 GRAMS - #09975 (G3444323)
INV01044	1	1	LASER/WJ - MOTOR PLATE
INV01045	1	1	Gear, Scout Motor Gear 12SS18 12MM (two set screws)
INV01085	1	1	SS - 1/4"-20X1/4" SET SCREW 316 S.S.



Aqua Creek Products

—Leaders in Recreation, Fitness and Ability—

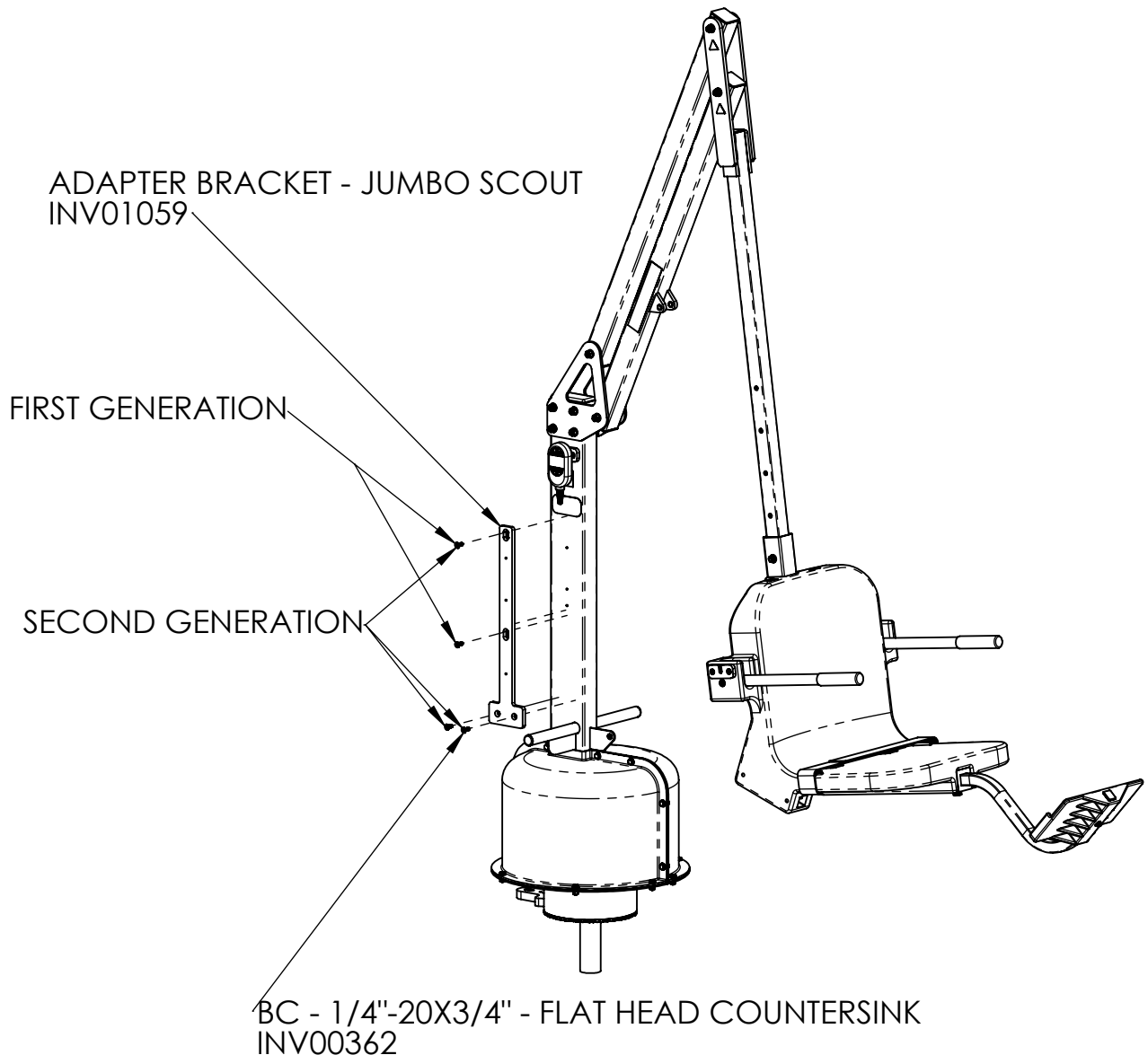
PRODUCT ASSEMBLY

PRIOR TO STARTING STEP I MAKE SURE THE OLD ELECTRONICS HAVE BEEN REMOVED. BE SURE TO SAVE THE HARDWARE FOR REASSEMBLY WITH THE NEW COMPONENTS.

STEP 1

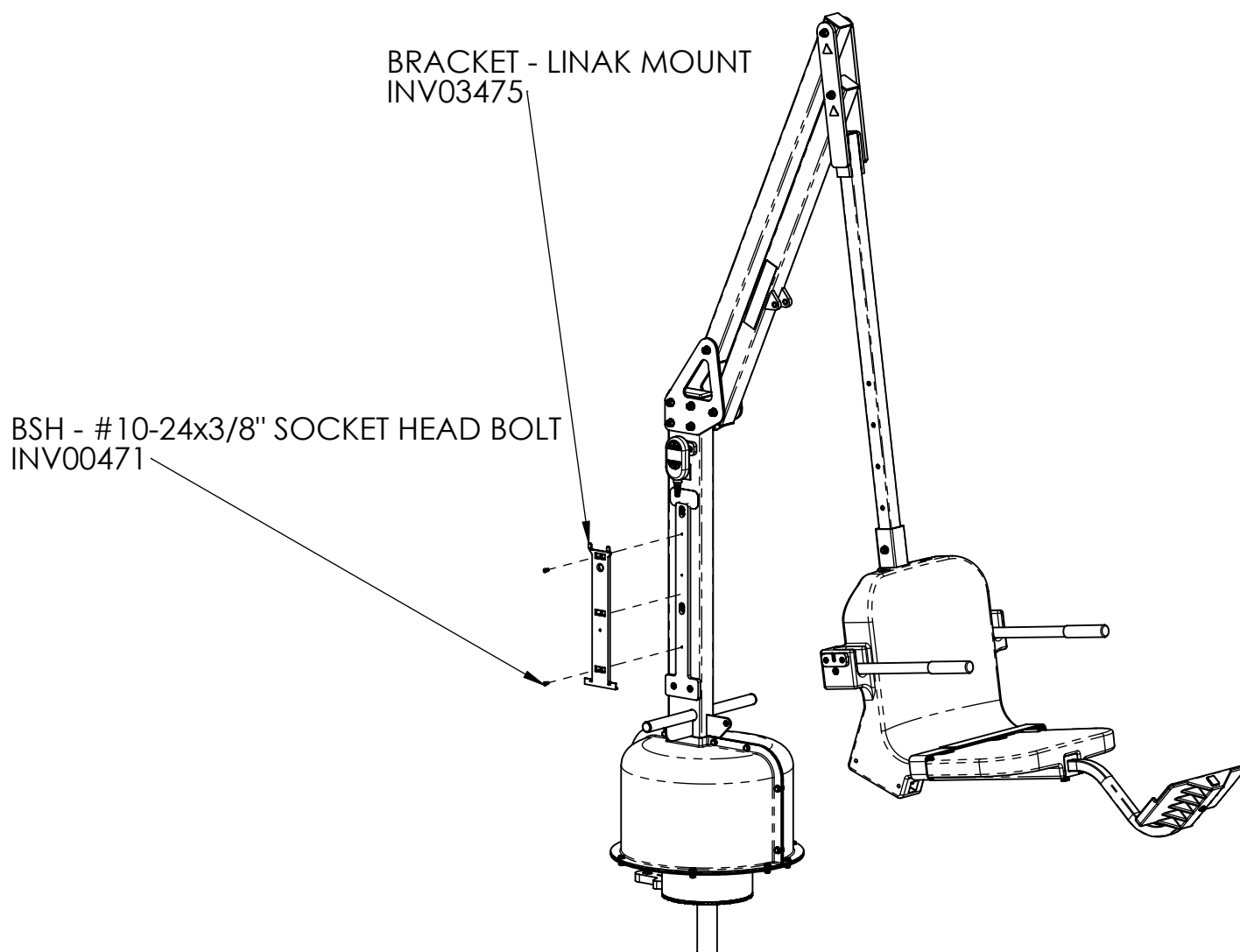
ATTACH THE ADAPTER BRACKET TO THE MAST.
THE GENERATION OF SCOUT LIFT WILL DETERMINE WHICH BOLT PATTERN TO BE USED.
THE FIRST GENERATION WILL USE 2 OF THE 1/4-20 FLAT HEAD BOLTS AS SHOWN.
THE SECOND GENERATION WILL USE 3 OF THE 1/4-20 FLAT HEAD BOLTS AS SHOWN.

NOTE: BOLTS FOR BOTH GENERATIONS SHOWN IN ASSEMBLY DIAGRAM



STEP 2

ATTACH LINAK MOUNTING BRACKET AS SHOWN USING 2 #10-24 SCREWS.





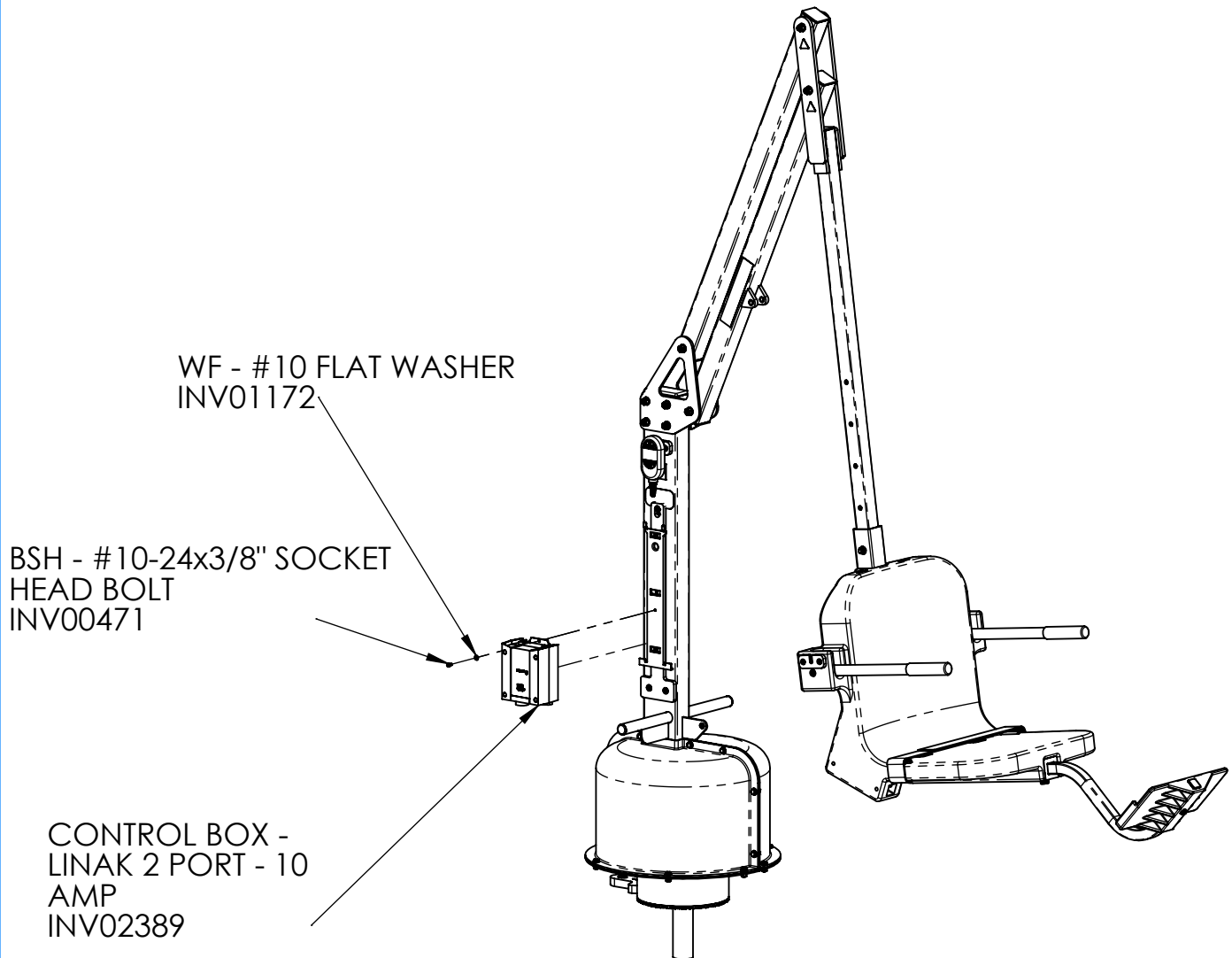
Aqua Creek Products

—Leaders in Recreation, Fitness and Ability—

PRODUCT ASSEMBLY

STEP 3

ATTACH THE LINAK CONTROL BOX AS SHOWN. THE BOTTOM WILL SIT ON THE BRACKET TABS AND THE TOP WILL BE ATTACHED WITH A #10-24 SCREW AND WASHER.





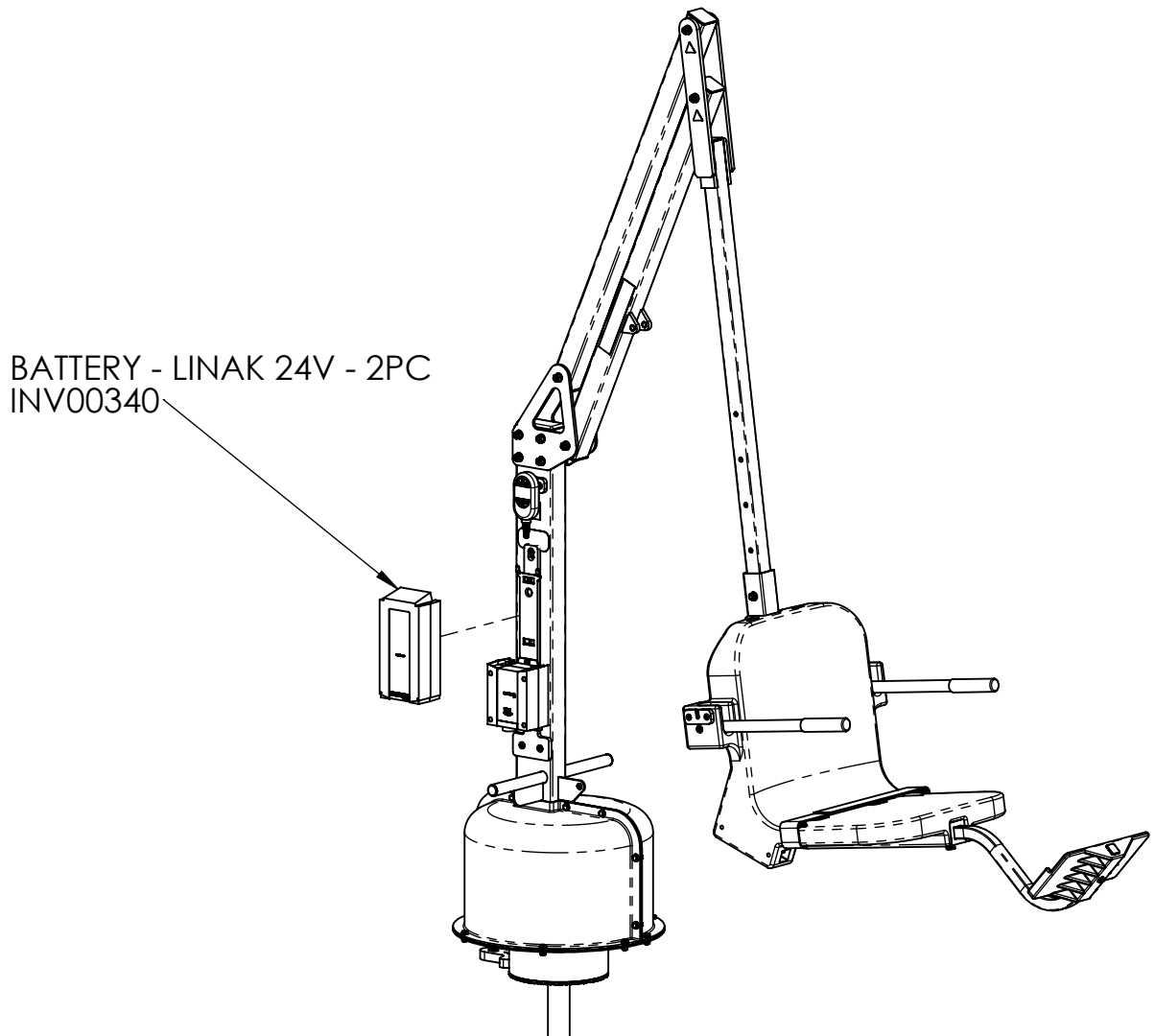
Aqua Creek Products

— Leaders in Recreation, Fitness and Ability —

PRODUCT ASSEMBLY

STEP 4

ATTACH LINAK BATTERY AS SHOW. MAKE SURE BOTTOM OF BATTERY IS PROPERLY SEATED IN THE LINAK CONTROL BOX SO THE METAL TABS MAKE GOOD CONTACT. THE TOP OF THE BATTERY SHOULD BE LOCKED ONTO THE TOP TABS OF THE MOUNTING BRACKET.





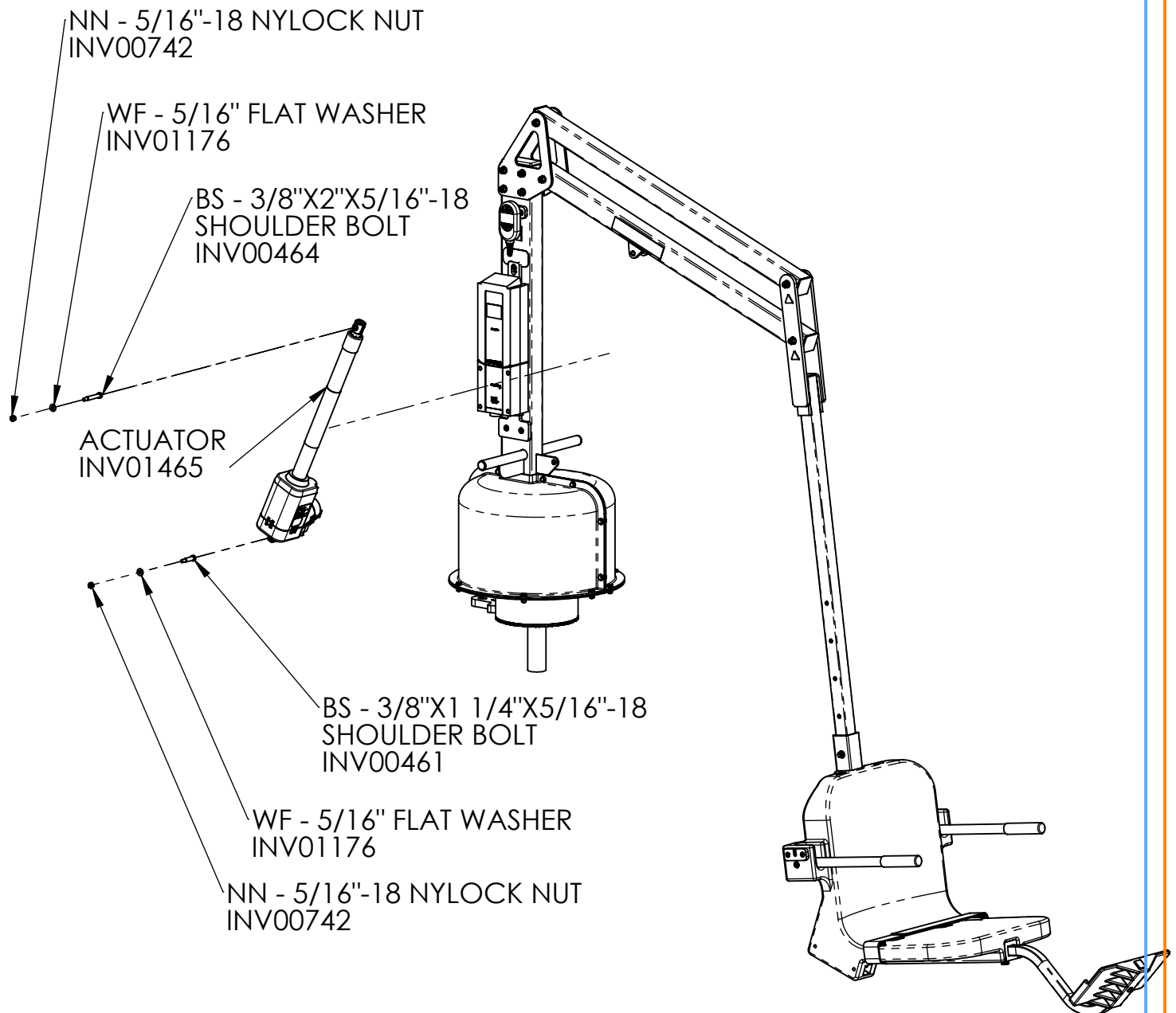
Aqua Creek Products

— Leaders in Recreation, Fitness and Ability —

PRODUCT ASSEMBLY

STEP 5

ATTACH THE NEW LINAK ACTUATOR AS SHOWN. USE THE LONGER 2 INCH SHOULDER BOLT AS SHOWN TO CONNECT THE ACTUATOR TO THE LIFTING ARM. THE SHORTER 1 1/4 SHOULDER BOLT IS USED TO CONNECT THE ACTUATOR TO THE MAST AS SHOWN.





Aqua Creek Products

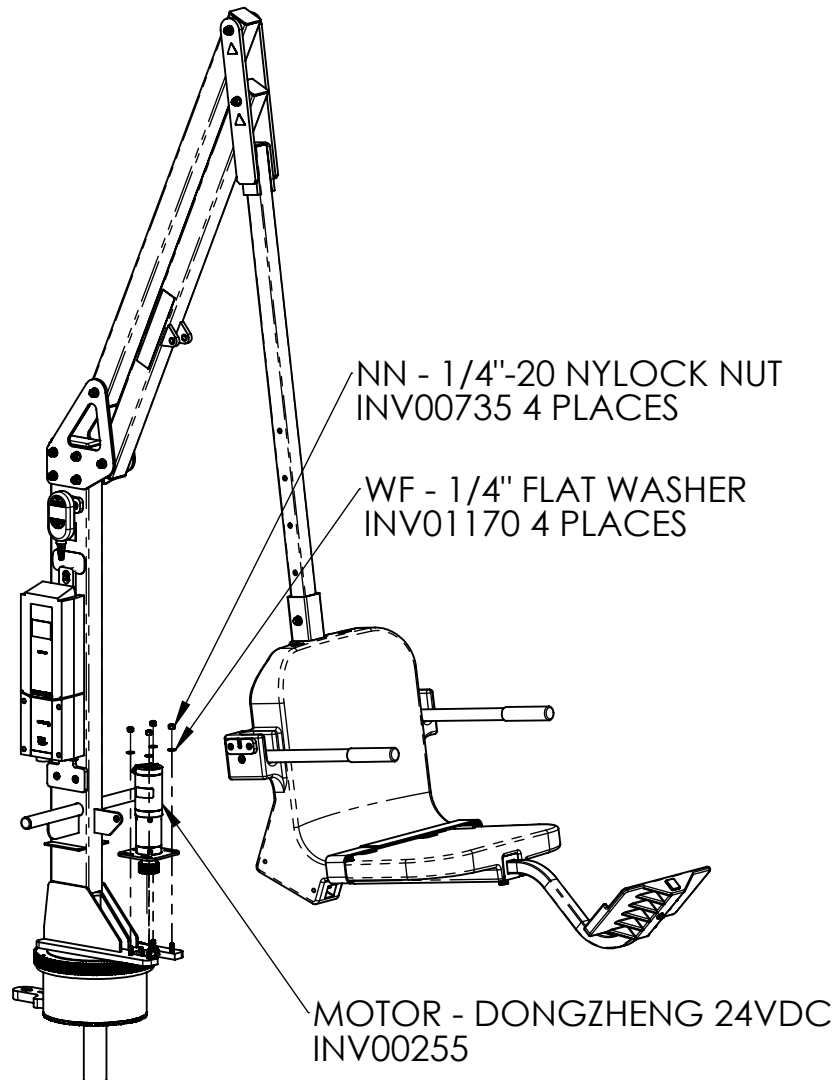
— Leaders in Recreation, Fitness and Ability —

PRODUCT ASSEMBLY

STEP 6

REMOVE THE SHROUD TO ACCESS THE MOTOR. SAVE ALL THE HARDWARE TO REINSTALL THE SHROUD AFTER THE MOTOR IS REPLACED. ATTACH THE MOTOR ASSEMBLY AS SHOWN USING 4 1/4"-20 NYLOCK NUTS AND WASHERS. PRESS THE MOTOR TIGHT TO THE GEAR BEFORE TIGHTENING THE 4 NUTS. DO THIS BY PUSHING THE MOTOR TOWARDS THE MAST.

THE ACTUATOR AND SHROUD IS OMITTED FROM THIS VIEW FOR CLARITY





Aqua Creek Products

— Leaders in Recreation, Fitness and Ability —

PRODUCT ASSEMBLY

STEP 7

REINSTALL ALL OF THE SHROUD FASTENERS AS SHOWN

