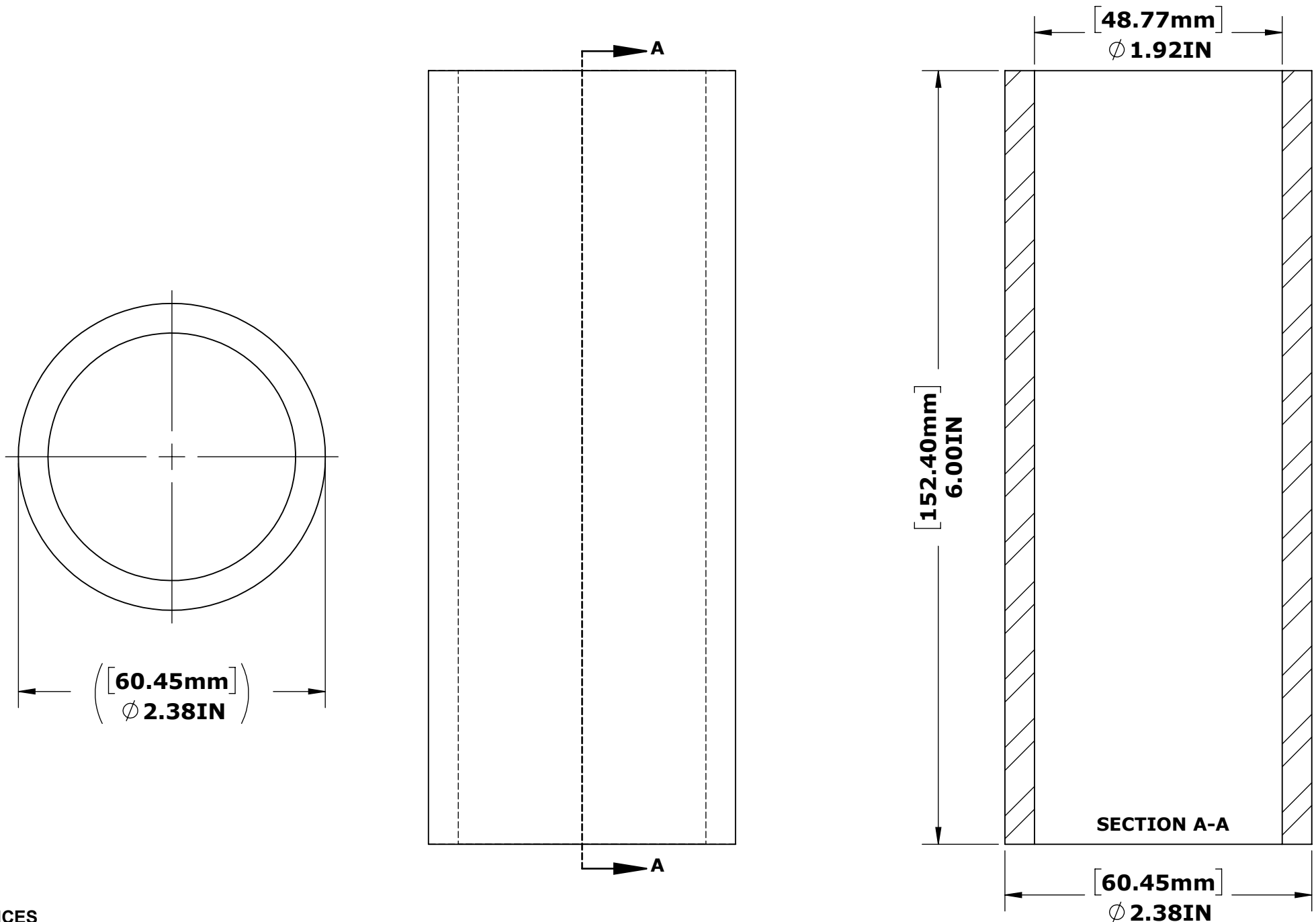


SPECIFICATIONS:

THE AQUA CREEK PRODUCTS ELKHORN LIFT ADAPTER SHALL BE A SLEEVE TYPE ANCHOR ADAPTER, USED TO ADAPT A ϕ 1.90"X6.00" POST TO A ϕ 2.37" INSIDE DIAMETER ANCHOR THAT IS ATLEAST 6.00" DEEP. THE ADAPTER SHALL BE MADE STAINLESS STEEL.



TOLERANCES

DIMENSIONS ARE IN INCHES UNLESS OTHERWISE SHOWN
 FRACTIONAL: \pm 1/16
 ANGULAR: \pm 1°
 TWO PLACE DECIMAL: \pm .01
 THREE PLACE DECIMAL: .. \pm .005

SLEEVE - 1.90"ID X 6.00" T X 2.38"OD
F-824
PART NO. INV01499

MATERIAL: 2.50"X.375" 304 S.S. RND. TUBE
FINISH: MILL
APPROX. WEIGHT: 2.69 LBS.



9889 GARRYMORE LANE
 MISSOULA, MT 59808
 (406) 549-0769
 FAX (406) 549-2602
 www.AquaCreek.com

PROPRIETARY AND CONFIDENTIAL INFORMATION

THIS DRAWING AND ALL INFORMATION CONTAINED HEREIN IS THE SOLE PROPERTY OF AQUA CREEK PRODUCTS LLC. ANY REPRODUCTION IN PART OR AS A WHOLE WITHOUT WRITTEN PERMISSION FROM AQUA CREEK IS PROHIBITED.

*SPECIFICATIONS ARE SUBJECT TO CHANGE WITHOUT NOTICE

REVISIONS			
REV.	DESCRIPTION	DATE	APPROVED
P1	INITIAL RELEASE	4/23/2021	J.MAXWELL
P2	CHANGED MATERIAL TO STAINLESS STEEL	1/10/2022	J.MAXWELL

SLEEVE - 1.90"ID X 6.00" T X 2.38"OD - INV01499

51-163-220

SCALE
1:1

SHEET
1