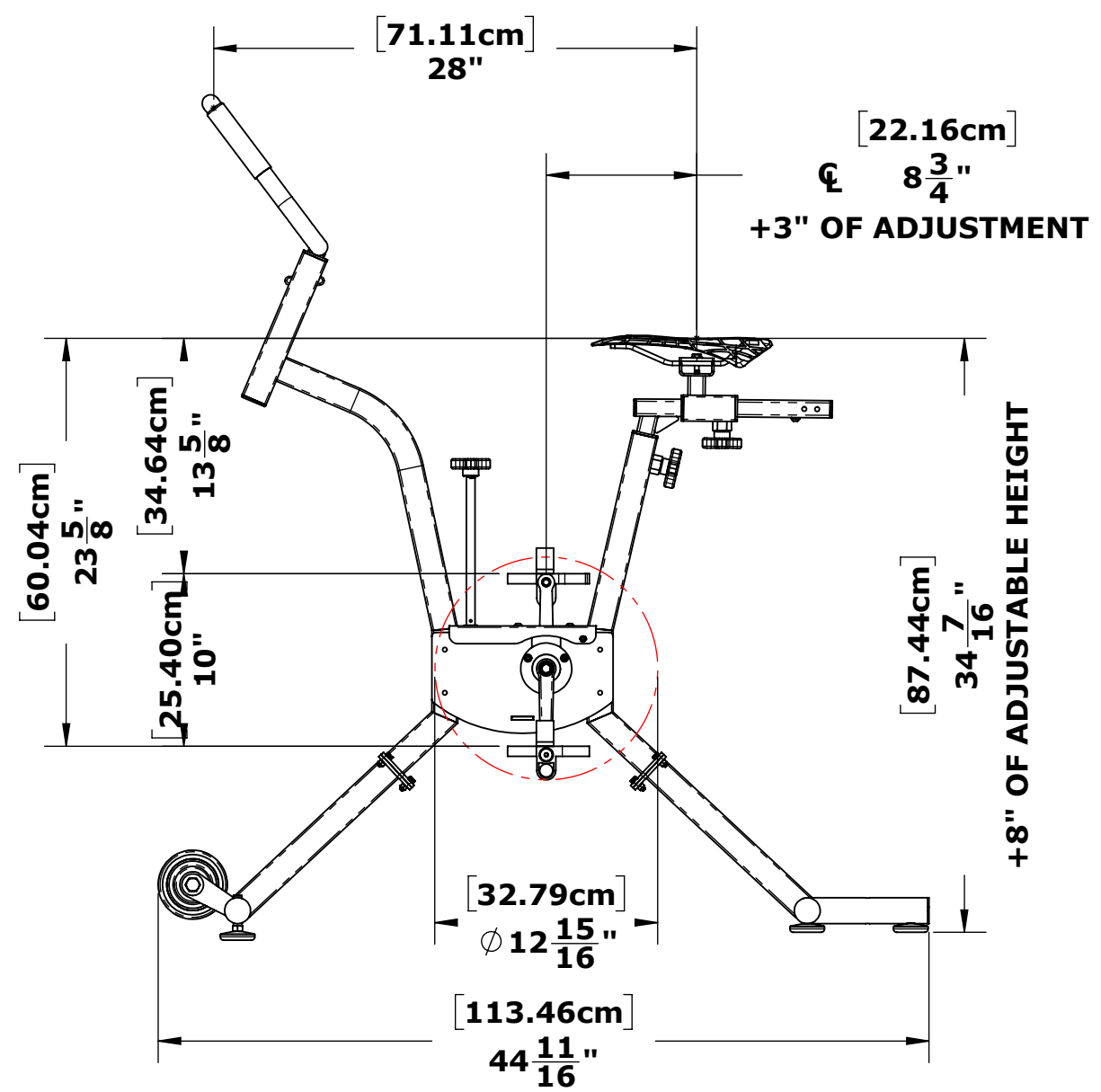
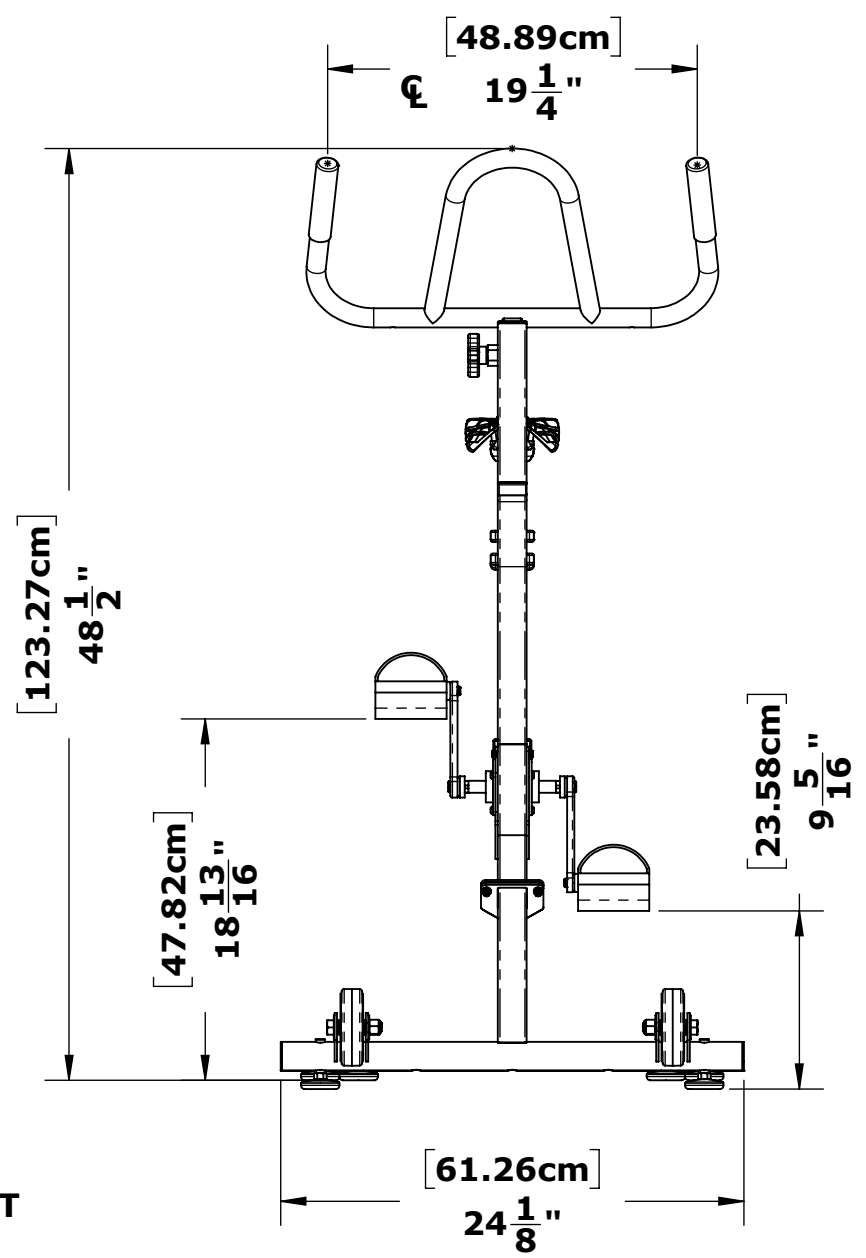
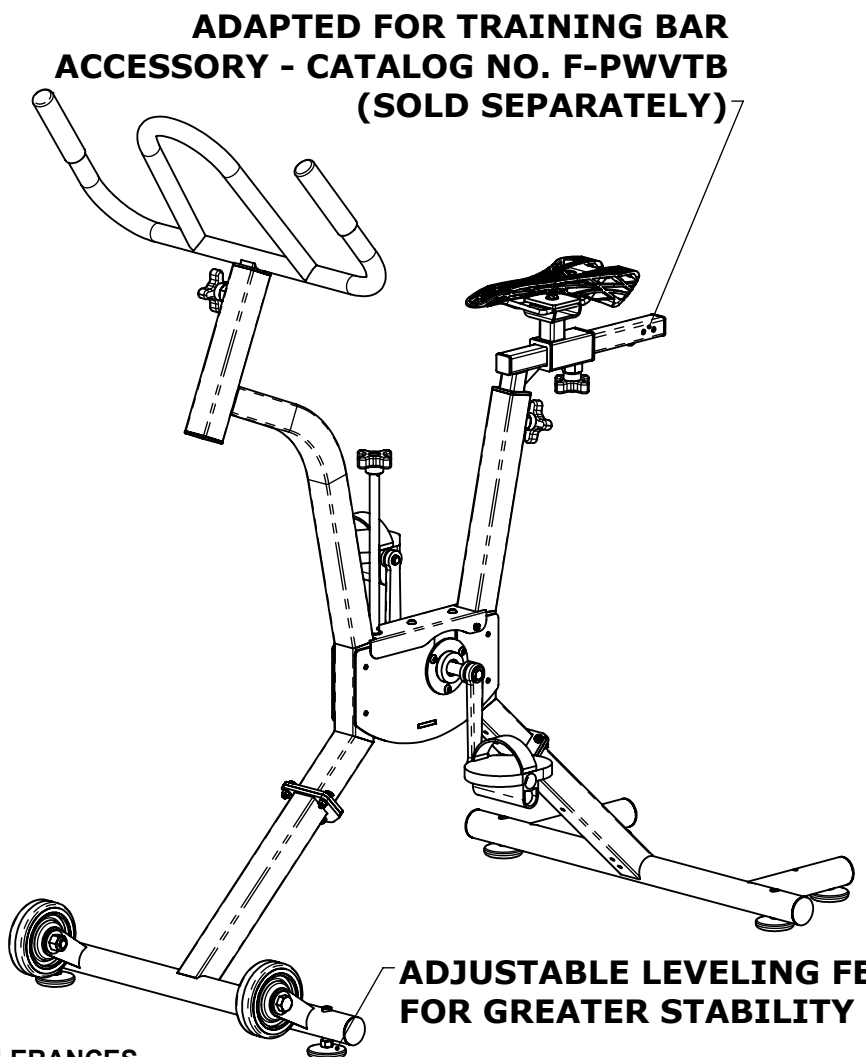


FRAME: TYPE 316 STAINLESS STEEL
 FINISH: POLYESTER POWDER COAT: BLACK WITH ACCENT COLOR
 FLYWHEEL: 316 STAINLESS STEEL
 CRANK: STAINLESS STEEL ROD WITH STAINLESS STEEL BEARINGS
 SEAT: SEAT CAN BE ADJUSTED TO 9 DIFFERENT SETTINGS VERTICALLY AND 4 HORIZONTALLY
 HANDLEBARS: HANDLEBARS CAN BE ADJUSTED TO 7 DIFFERENT SETTINGS VERTICALLY

POOL DEPTH: 3.5 TO 5 FEET(1 TO 1.5 METERS) FOR OPTIMAL USE

BIKE WEIGHT: 38LBS (17KG)
 WARRANTY: 3 YEARS FOR FRAME
 (NOT INCLUDING POWDER COAT)
 1 YEAR FOR PARTS & TRANSMISSION

PROWAVE - COLOR OPTIONS		
CATALOG NO.	PART NO.	COLOR
F-PWRWV-G	INV01923	NEON GREEN
F-PWRWV-Y	INV01922	NEON YELLOW
F-PWRWV-P	INV01921	SASSY PINK
F-PWRWV-C	INV01534	CHOOSE COLOR



TOLERANCES
 DIMENSIONS ARE IN INCHES
 UNLESS OTHERWISE SHOWN
 FRACTIONAL: $\pm 1/16$
 ANGULAR: $\pm 1^\circ$
 TWO PLACE DECIMAL: $\pm .01$
 THREE PLACE DECIMAL: .. $\pm .005$

PROWAVE POOL BIKE

F-PWRWV

PART NO. SEE CHART

MATERIAL: STAINLESS STEEL
FINISH: POWDER COAT - SEE CHART
APPROX. WEIGHT: 41.42 LBS.



9889 GARRYMORE LANE
 MISSOULA, MT 59808
 (406) 549-0769
 FAX (406) 549-2602
 www.AquaCreek.com

PROPRIETARY AND CONFIDENTIAL INFORMATION
 THIS DRAWING AND ALL INFORMATION CONTAINED HEREIN IS THE SOLE PROPERTY OF AQUA CREEK PRODUCTS LLC. ANY REPRODUCTION IN PART OR AS A WHOLE WITHOUT WRITTEN PERMISSION FROM AQUA CREEK IS PROHIBITED.
 *SPECIFICATIONS ARE SUBJECT TO CHANGE WITHOUT NOTICE

REVISIONS			
REV.	DESCRIPTION	DATE	APPROVED
P1	INITIAL RELEASE	10/27/2022	J.MAXWELL
P2	REPLACED WELDMENT 02152 WITH 02786 ADDED LEVELING FEET	11/30/2022	J.MAXWELL

PROWAVE POOL BIKE - SEE CHART

51-163-220

SCALE
1:10

SHEET
1