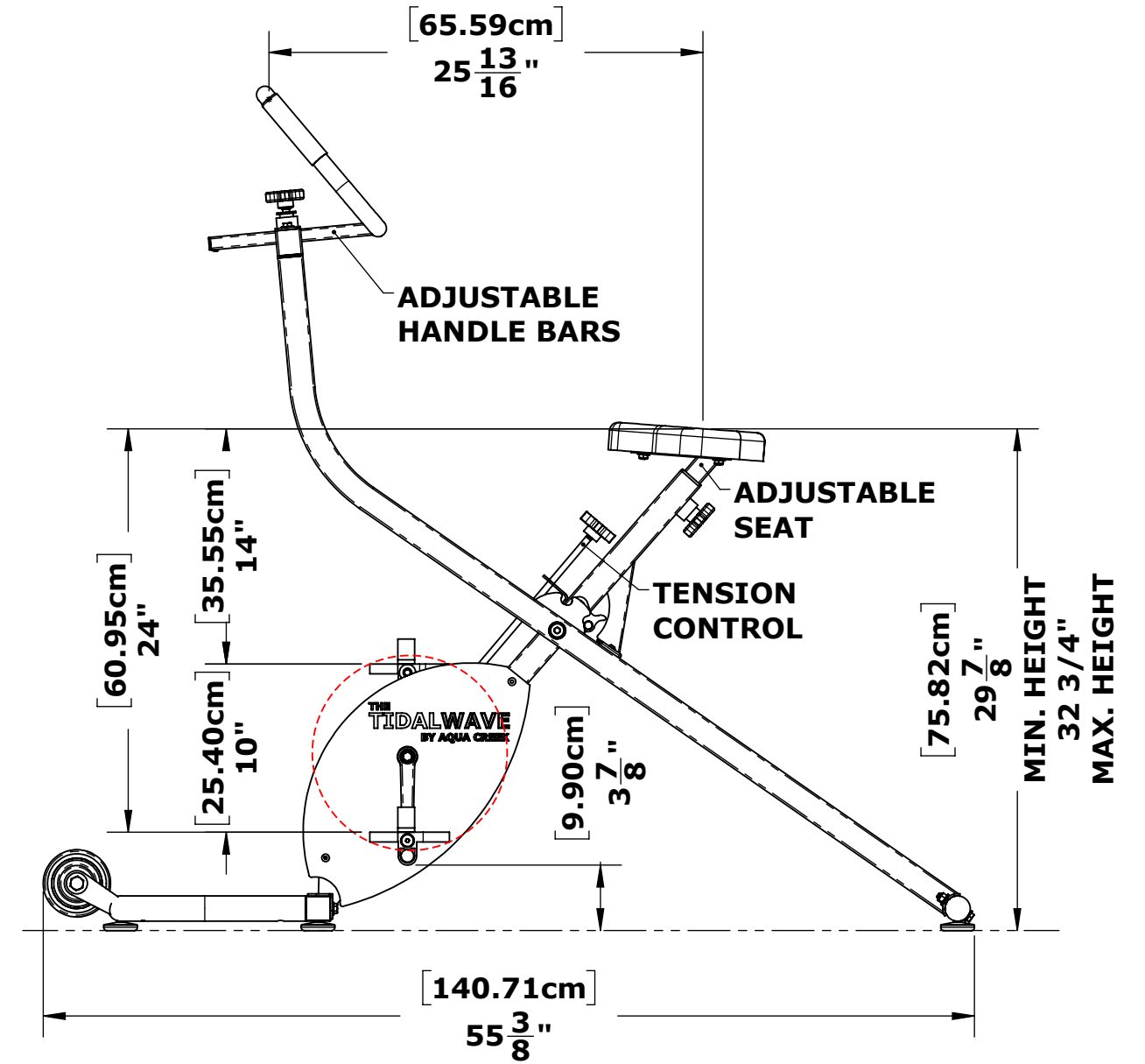
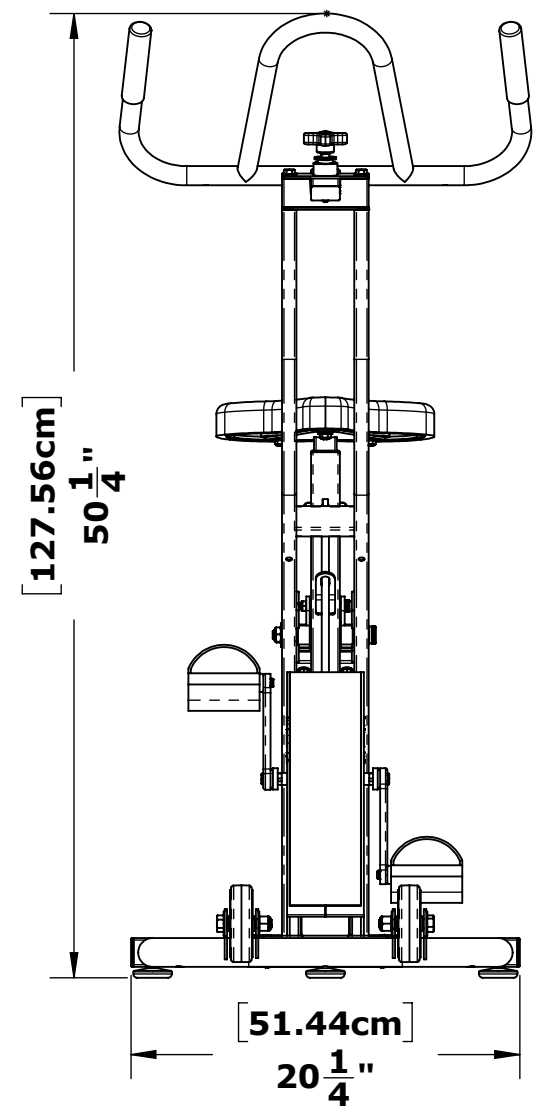


SPECIFICATIONS:

- FLYWHEEL: 316 STAINLESS STEEL**
- CRANK: STAINLESS STEEL ROD WITH BRONZE BUSHINGS**
- STORAGE: QUICK-FLIP LATCH FOR EASY STORAGE**
- SEAT: 5 HEIGHT ADJUSTMENT SETTINGS**
- POOL DEPTH: 3-5 FEET (0.9-1.5 METERS) FOR OPTIMAL USE**
- WEIGHT CAPACITY: 300LBS (136KG)**
- WARRANTY: 3 YEARS FOR FRAME (NOT INCLUDING POWDER COAT)**
- 1 YEAR FOR PARTS & TRANSMISSION**

TIDALWAVE - COLOR OPTIONS		
CATALOG NO.	PART NO.	FINISH
F-TWPB-P	INV01918	SASSY PINK
F-TWPB-Y	INV01919	NEON YELLOW
F-TWPB-G	INV01920	NEON GREEN
F-TWPB-C	INV01552	CHOOSE COLOR



TIDALWAVE POOL BIKE
F-TWPB
PART NO. SEE CHART

MATERIAL: 316 STAINLESS STEEL
FINISH: POWDER COAT - PER ORDER
APPROX. WEIGHT: 57.31 LBS.



9889 GARRYMORE LANE
MISSOULA, MT 59808
(406) 549-0769
FAX (406) 549-2602
www.AquaCreek.com

PROPRIETARY AND CONFIDENTIAL INFORMATION

THIS DRAWING AND ALL INFORMATION CONTAINED HEREIN IS THE SOLE PROPERTY OF AQUA CREEK PRODUCTS LLC. ANY REPRODUCTION IN PART OR AS A WHOLE WITHOUT WRITTEN PERMISSION FROM AQUA CREEK IS PROHIBITED.

*SPECIFICATIONS ARE SUBJECT TO CHANGE WITHOUT NOTICE

REVISIONS			
REV.	DESCRIPTION	DATE	APPROVED
P1	INITIAL RELEASE	7/7/2021	J.MAXWELL
P2	ADDED BEARINGS TO FLYWHEEL	12/20/2022	J.MAXWELL

SCALE
1:10

SHEET
1