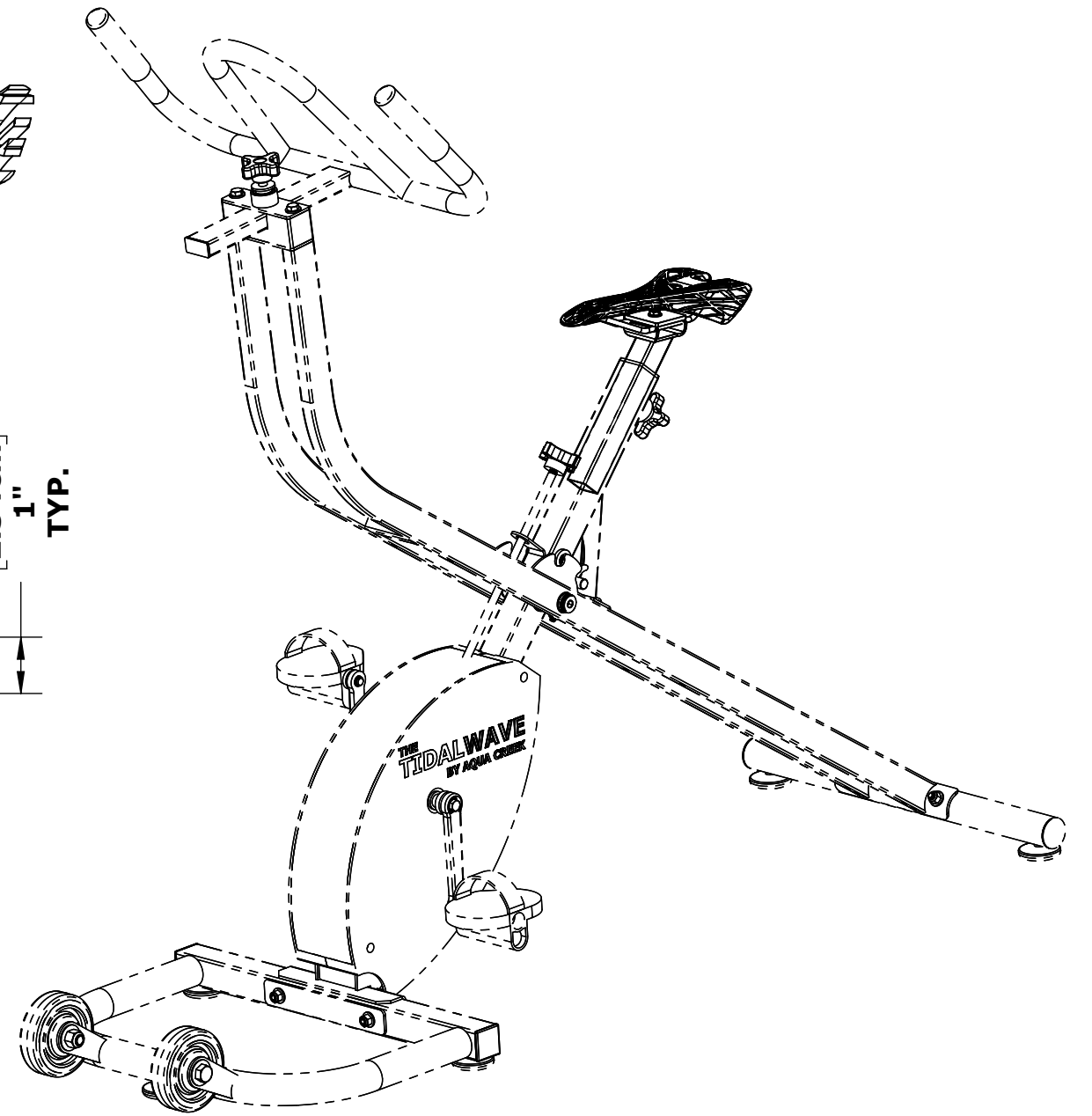
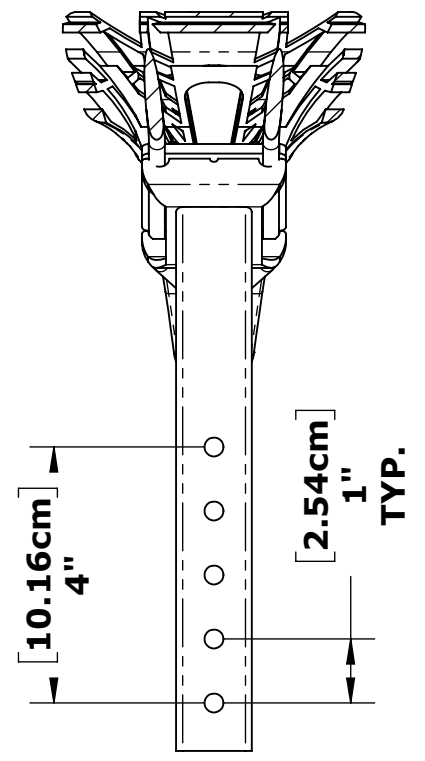
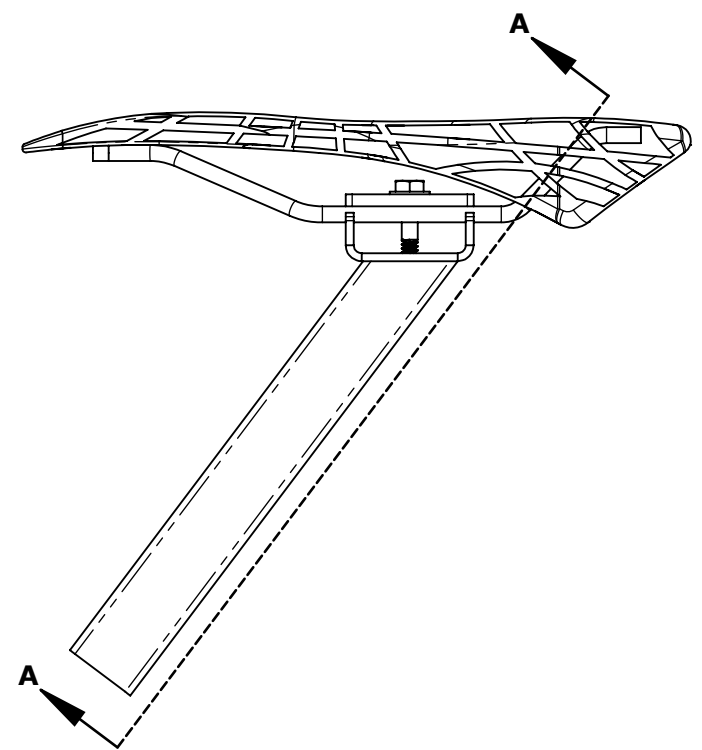
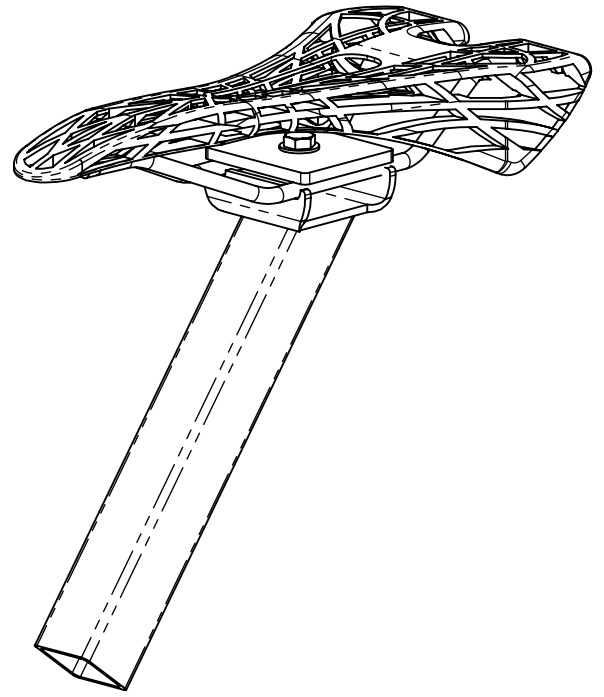
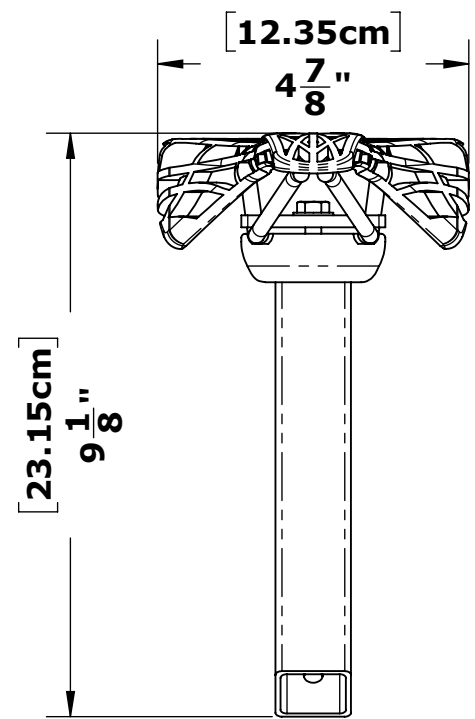
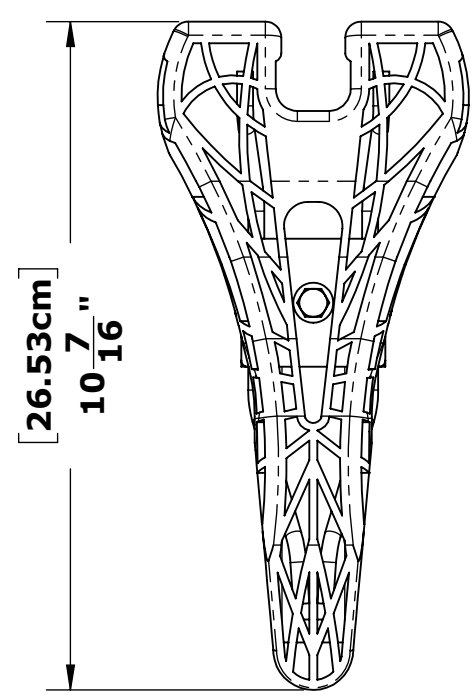


SPECIFICATIONS:  
 SEAT: UHMW PLASTIC & STAINLESS STEEL  
 SEAT: 5 HEIGHT ADJUSTMENT SETTINGS  
 POOL DEPTH: 3-5 FEET(0.9-1.5 METERS) FOR OPTIMAL USE  
 WEIGHT CAPACITY: 300LBS (136KG)  
 WARRANTY: 3 YEARS FOR FRAME (NOT INCLUDING POWDER COAT)  
 1 YEAR FOR ALL OTHER COMPONENTS



**ASSEMBLY - ADJUSTABLE SPORT SEAT**  
**F-SPRTST**  
**PART NO. INV01545**

**TOLERANCES**  
 DIMENSIONS ARE IN INCHES  
 UNLESS OTHERWISE SHOWN  
 FRACTIONAL: ..... ±1/16  
 ANGULAR: ..... ±1°  
 TWO PLACE DECIMAL: .... ±.01  
 THREE PLACE DECIMAL: .. ±.005

**MATERIAL: 316 STAINLESS STEEL**  
**FINISH: POWDER COAT - BLACK**  
**APPROX. WEIGHT: 1.66 LBS.**



9889 GARRYMORE LANE  
 MISSOULA, MT 59808  
 (406) 549-0769  
 FAX (406) 549-2602  
 www.AquaCreek.com

**PROPRIETARY AND CONFIDENTIAL INFORMATION**  
 THIS DRAWING AND ALL INFORMATION CONTAINED HEREIN IS THE SOLE PROPERTY OF AQUA CREEK PRODUCTS LLC. ANY REPRODUCTION IN PART OR AS A WHOLE WITHOUT WRITTEN PERMISSION FROM AQUA CREEK IS PROHIBITED.

REVISIONS			
REV.	DESCRIPTION	DATE	APPROVED
P1	INITIAL RELEASE	11/22/2022	J.MAXWELL