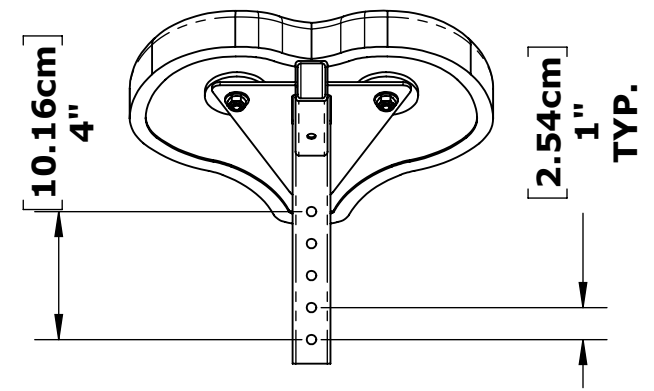
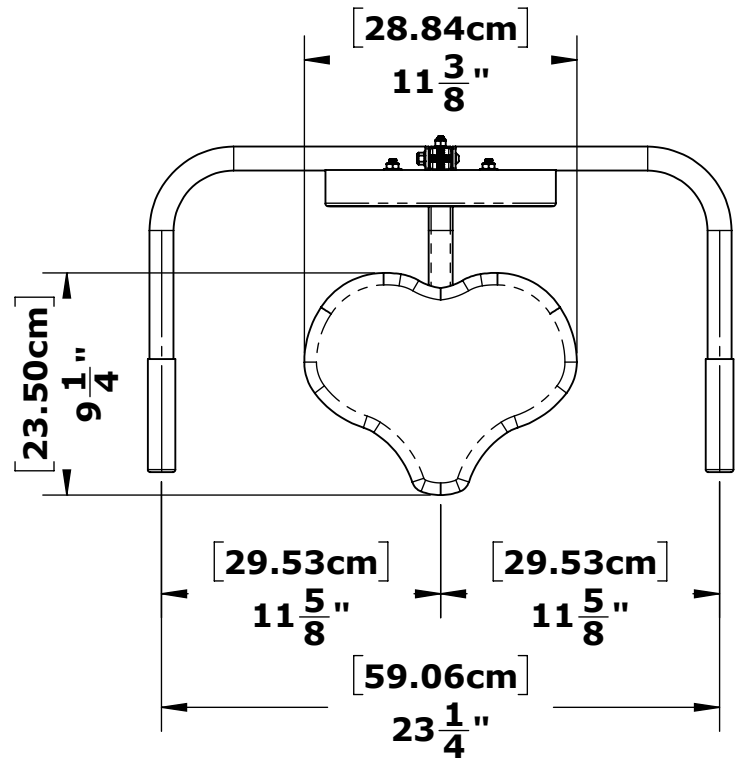
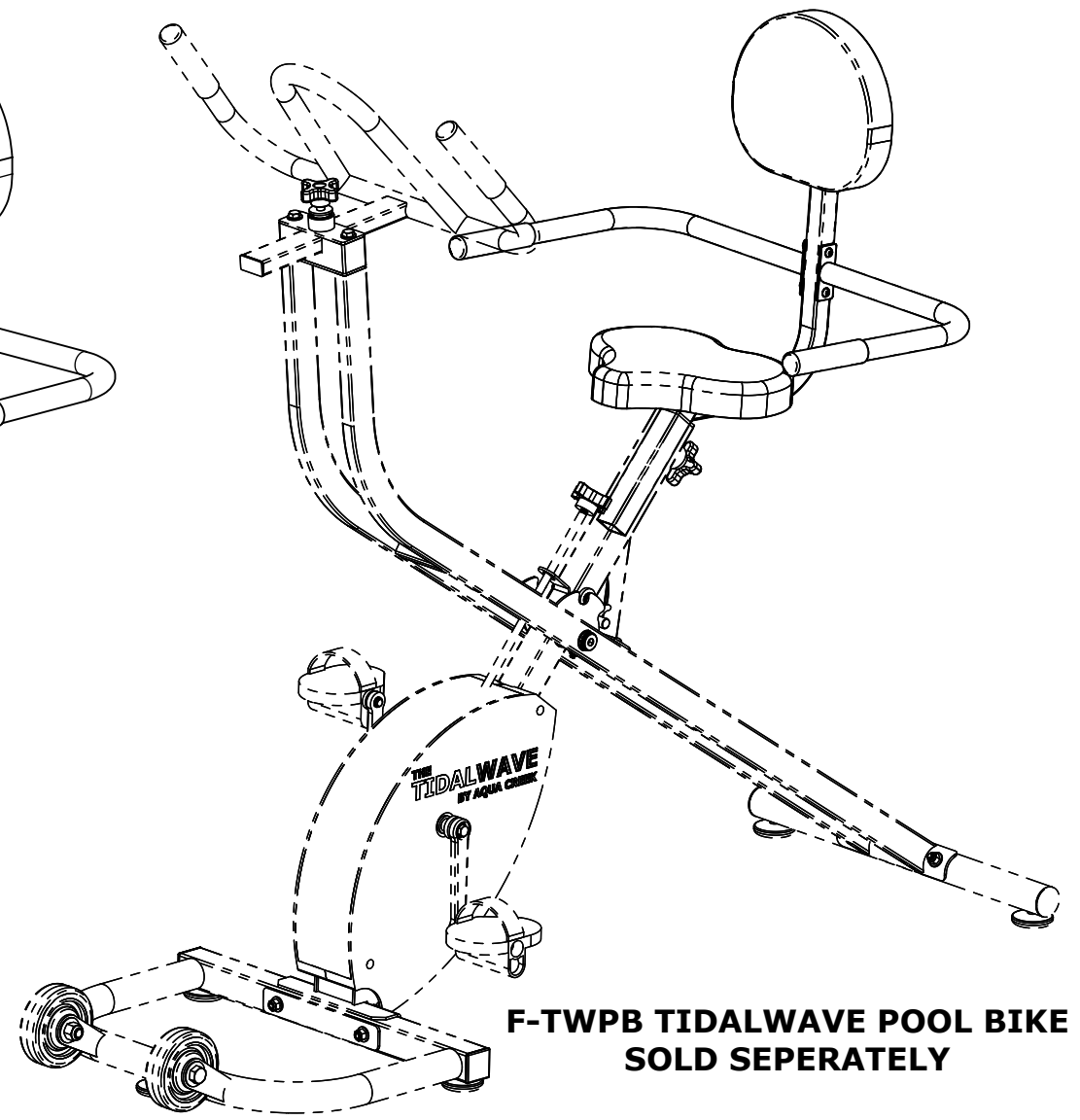
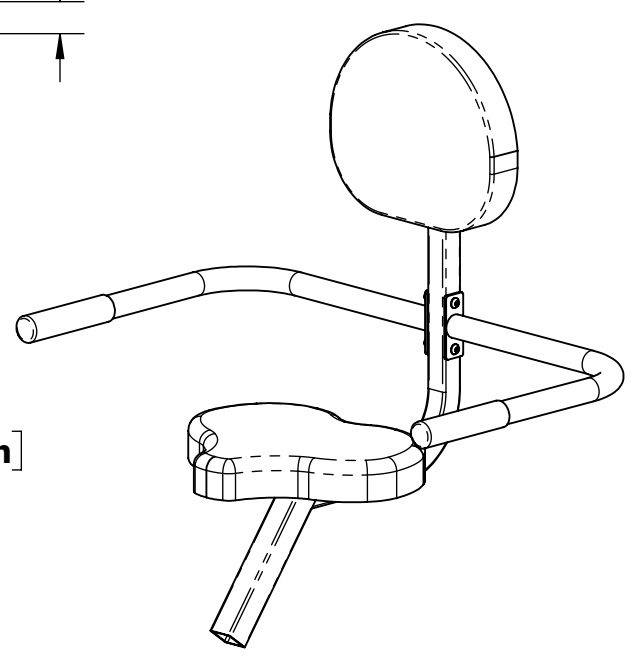
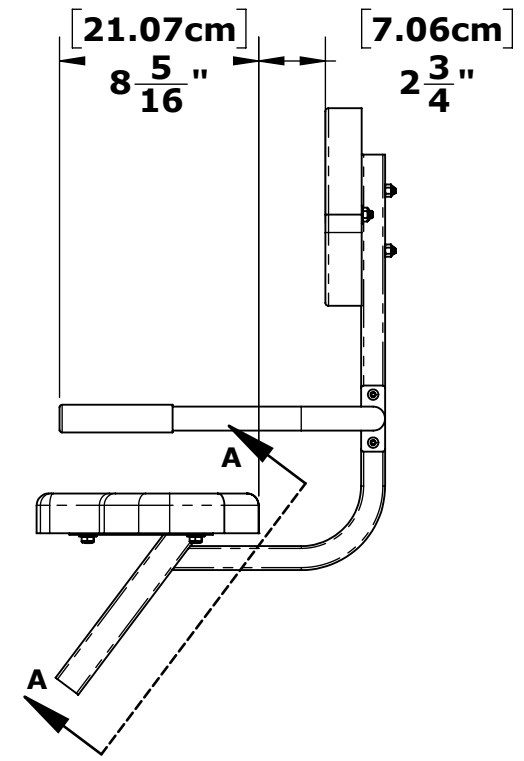
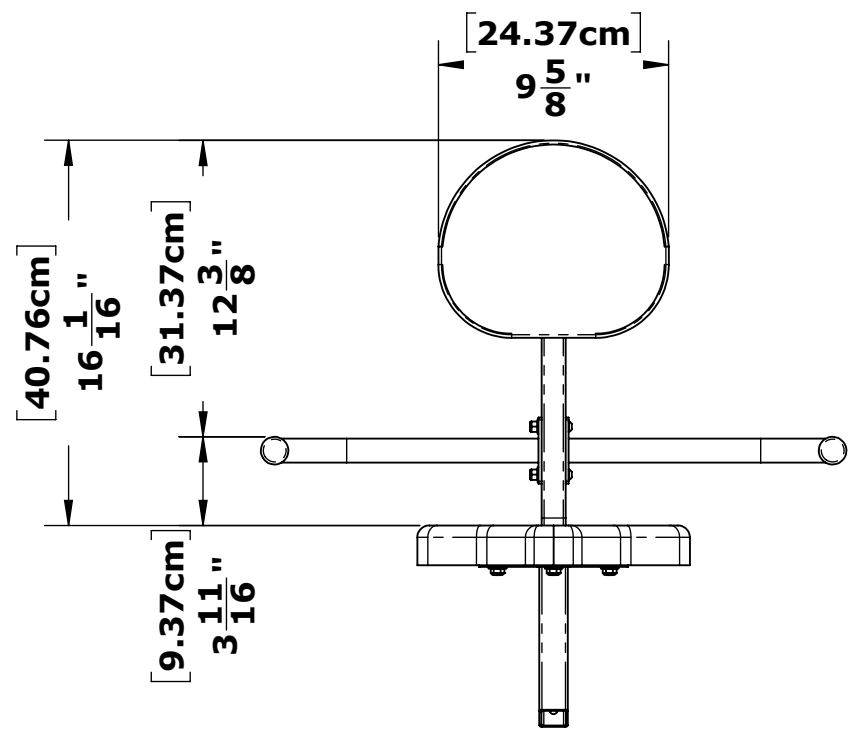


SPECIFICATIONS:

SEAT & BACKREST: UHMW PLASTIC & CLOSED CELL NATURAL FOAM
SEAT: 5 HEIGHT ADJUSTMENT SETTINGS
POOL DEPTH: 3-5 FEET(0.9-1.5 METERS) FOR OPTIMAL USE
WEIGHT CAPACITY: 300LBS (136KG)
WARRANTY: 3 YEARS FOR FRAME (NOT INCLUDING POWDER COAT)
1 YEAR FOR ALL OTHER COMPONENTS



SEAT ADJUSTMENT
SECTION A-A
SCALE 1 : 6



F-TWPB TIDALWAVE POOL BIKE
SOLD SEPERATELY

TOLERANCES
 DIMENSIONS ARE IN INCHES
 UNLESS OTHERWISE SHOWN
 FRACTIONAL: ±1/16
 ANGULAR: ±1°
 TWO PLACE DECIMAL: ±.01
 THREE PLACE DECIMAL: .. ±.005

ASSEMBLY - ADJUSTABLE RECUMBENT SEAT
F-RCMST
PART NO. INV01537

MATERIAL: 316 STAINLESS STEEL
FINISH: POWDER COAT - BLACK
APPROX. WEIGHT: 11.87 LBS.



9889 GARRYMORE LANE
MISSOULA, MT 59808
(406) 549-0769
FAX (406) 549-2602
www.AquaCreek.com

PROPRIETARY AND CONFIDENTIAL INFORMATION

THIS DRAWING AND ALL INFORMATION CONTAINED HEREIN IS THE SOLE PROPERTY OF AQUA CREEK PRODUCTS LLC. ANY REPRODUCTION IN PART OR AS A WHOLE WITHOUT WRITTEN PERMISSION FROM AQUA CREEK IS PROHIBITED.

*SPECIFICATIONS ARE SUBJECT TO CHANGE WITHOUT NOTICE

REVISIONS			
REV.	DESCRIPTION	DATE	APPROVED
P1	INITIAL RELEASE	11/21/2022	J.MAXWELL

SCALE
1:8

SHEET
1