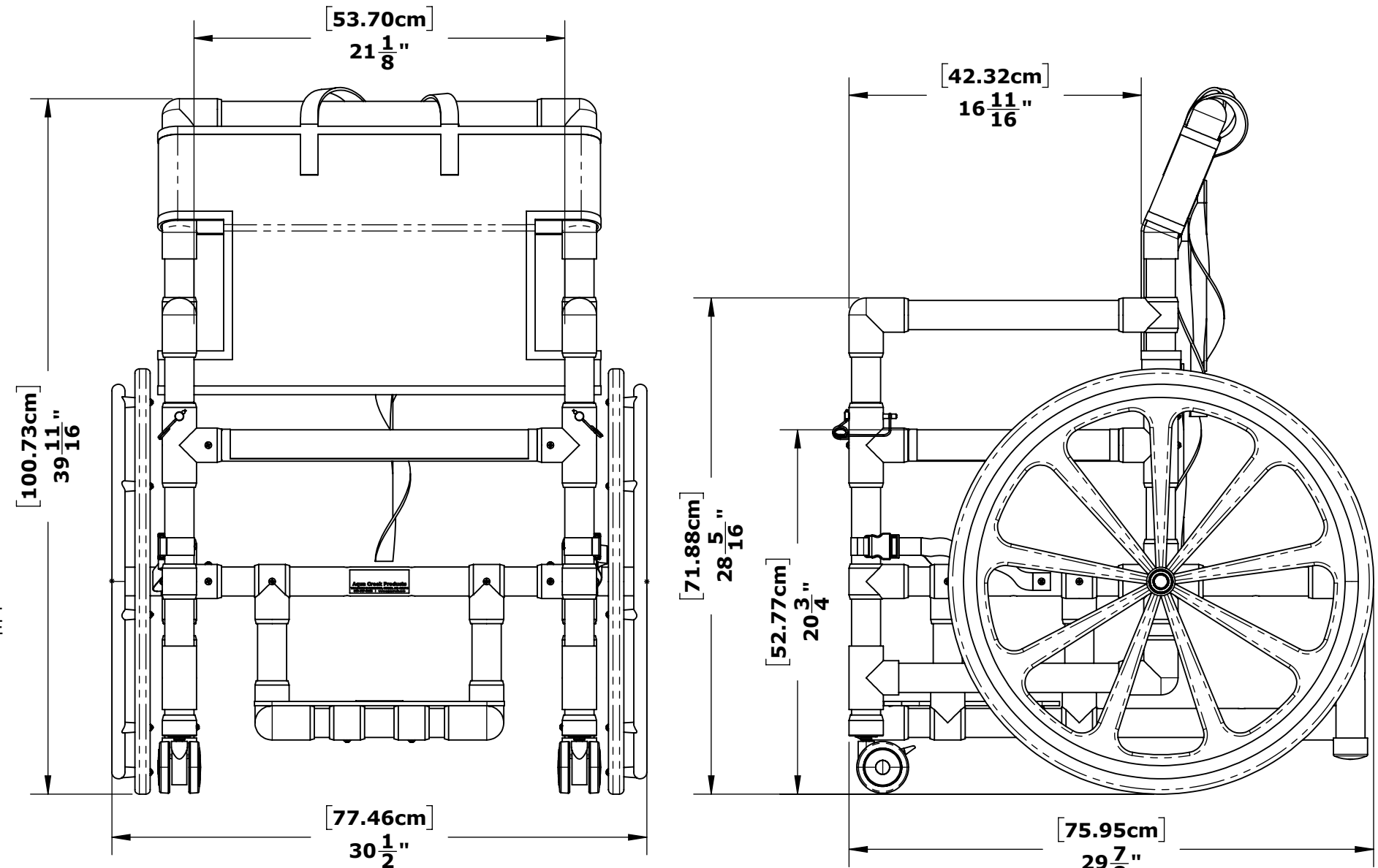


SPECIFICATIONS:

THE PVC POOL ACCESS CHAIR WITH 21 INCH WIDE MESH SEAT SHALL BE CONSTRUCTED OF HEALTH CARE GRADE PVC PIPE AND FITTINGS THAT WON'T RUST OR STAIN. IT WILL BE RATED FOR 350 LBS. [159 KG.]. THE CHAIR SHALL COME EQUIPPED WITH AN EXTENDABLE FOOTREST. THE MESH SEAT SHALL BA A MINIMUM OF 21 INCHES WIDE AND UPHOLSTERED FROM MOLD AND MILDEW RESISTANT MATERIAL THAT IS SUITABLE FOR IMMERSION IN A POOL OR SPA. THE CHAIR SHALL COME EQUIPPED WITH DUAL LOCKING BRAKES AND SWING AWAY ARMRESTS TO ALLO FOR EASY TRANSFERS. THE REAR WHEELS SHALL BE A NON-SKID STYLE WITH USER HAND RINGS. THE CASTERS SHALL BE 3 INCH DIAMETER MRI RATED SWIVEL TYPE.



FEATURES

- ◆ SWING OUT ARMREST
- ◆ SLIDING FOOTREST
- ◆ ANTI-TIP DESIGN
- ◆ DUAL BRAKES
- ◆ CORROSION RESISTANT MESH
- ◆ STAINLESS STEEL HARDWARE
- ◆ ONE YEAR WARRANTY

CLICK HERE TO VIEW THIS PRODUCT:
<https://aquacreekproducts.com/>

TOLERANCES

DIMENSIONS ARE IN INCHES
 UNLESS OTHERWISE SHOWN
 FRACTIONAL: ±1/16
 ANGULAR: ±1°
 TWO PLACE DECIMAL: ±.01
 THREE PLACE DECIMAL: .. ±.005

POOL ACCESS CHAIR - 21"

F-520WSPM
PART NO. INV02456

MATERIAL: PVC/MESH
FINISH: WHITE
APPROX. WEIGHT: 67.06 LBS.



9889 GARRYMORE LANE
 MISSOULA, MT 59808
 (406) 549-0769
 FAX (406) 549-2602
 www.AquaCreek.com

PROPRIETY AND CONFIDENTIAL INFORMATION

THIS DRAWING AND ALL INFORMATION CONTAINED HEREIN IS THE SOLE PROPERTY OF AQUA CREEK PRODUCTS LLC. ANY REPRODUCTION IN PART OR AS A WHOLE WITHOUT WRITTEN PERMISSION FROM AQUA CREEK IS PROHIBITED.

*SPECIFICATIONS ARE SUBJECT TO CHANGE WITHOUT NOTICE

REVISIONS			
REV.	DESCRIPTION	DATE	APPROVED
P1	INITIAL RELEASE	3/1/2021	J.MAXWELL

MODEL
P1
 REVISION

POOL ACCESS CHAIR - 21" - INV02456

51-163-220

SCALE
 1:8

SHEET
1