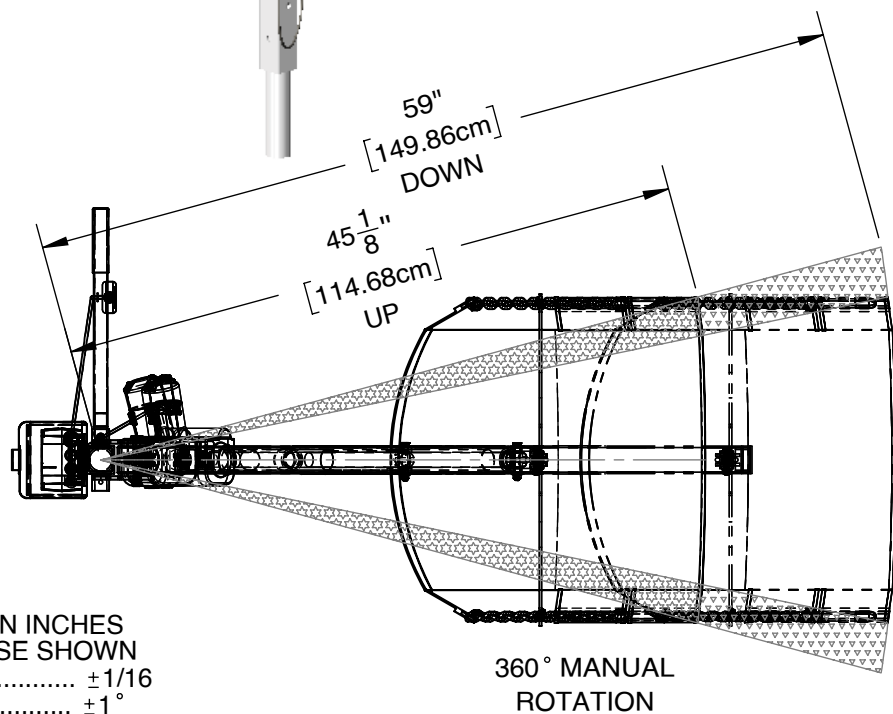
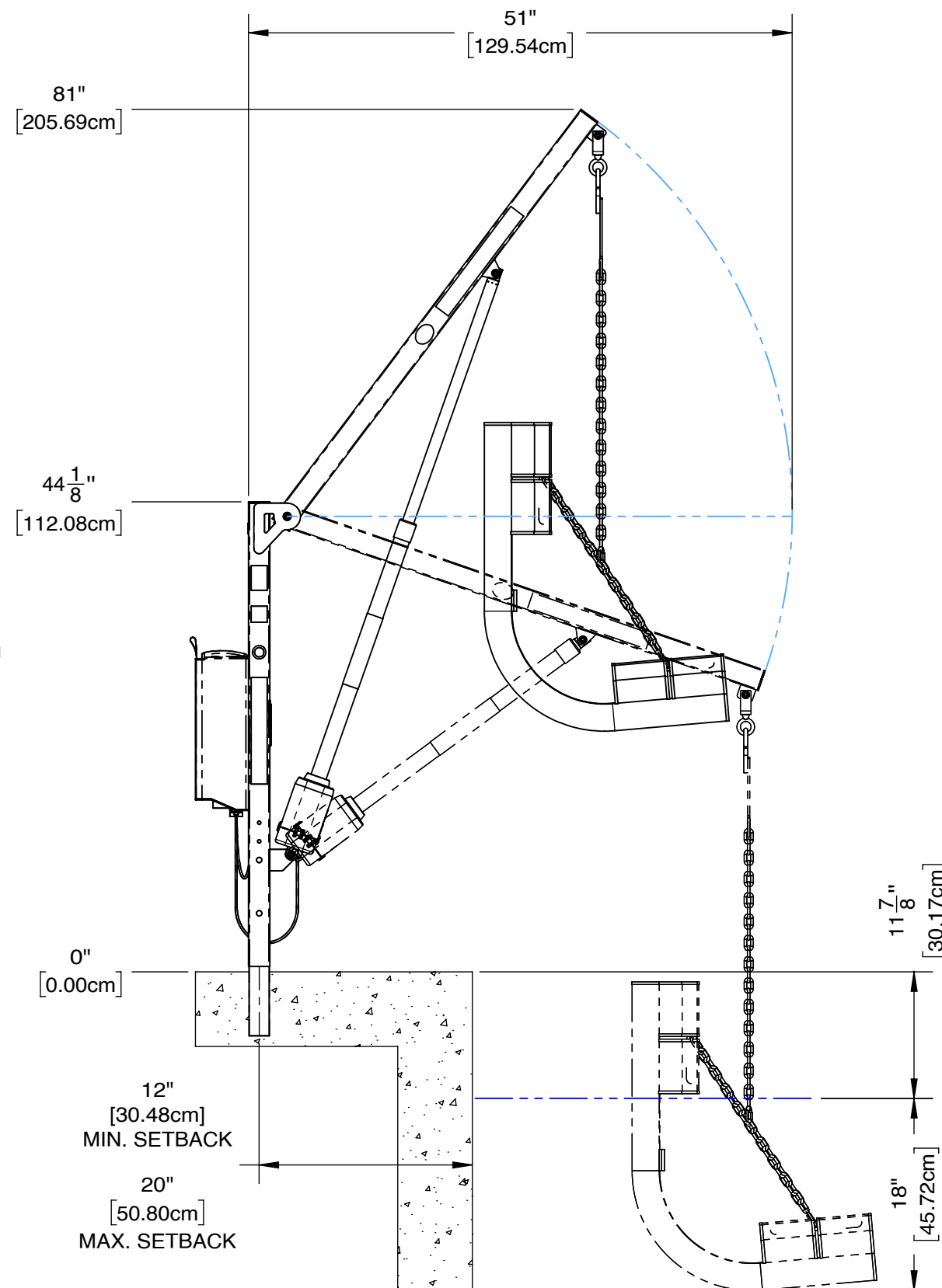
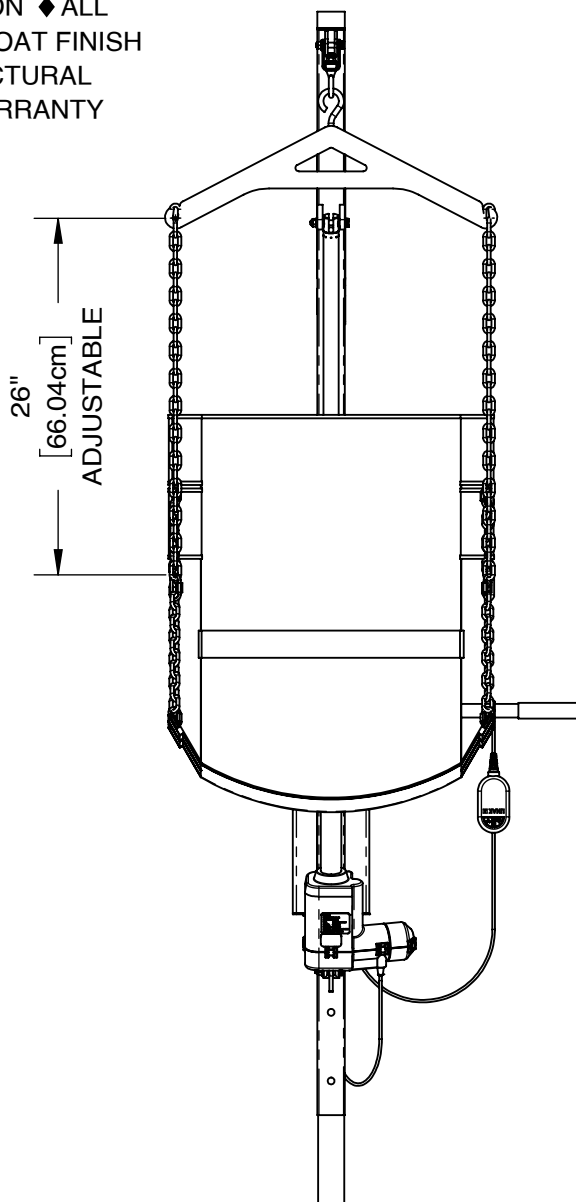
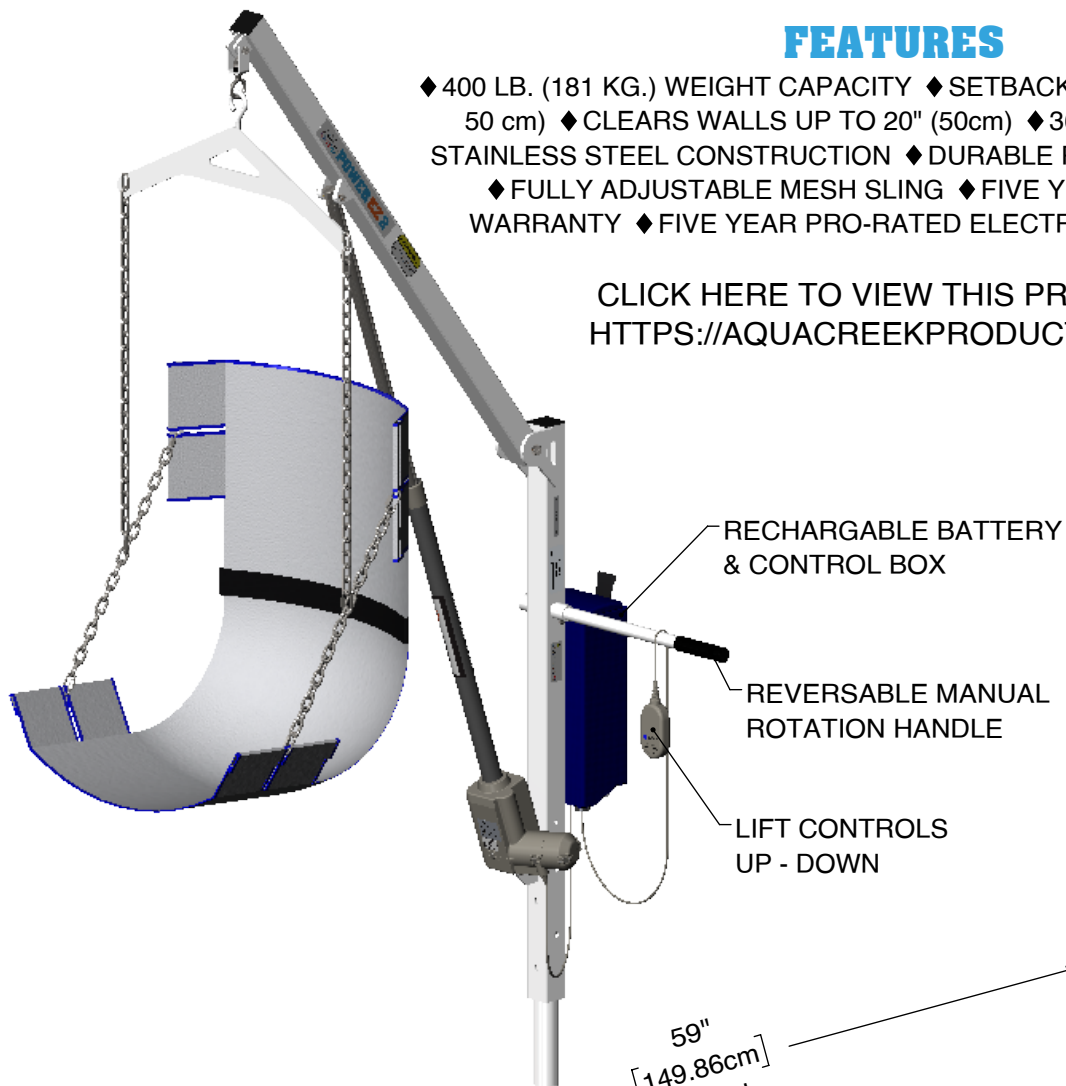


FEATURES

- ◆ 400 LB. (181 KG.) WEIGHT CAPACITY
- ◆ SETBACK RANGE 12" TO 20" (30 - 50 cm)
- ◆ CLEARS WALLS UP TO 20" (50cm)
- ◆ 360 ROTATION
- ◆ ALL STAINLESS STEEL CONSTRUCTION
- ◆ DURABLE POWDER COAT FINISH
- ◆ FULLY ADJUSTABLE MESH SLING
- ◆ FIVE YEAR STRUCTURAL WARRANTY
- ◆ FIVE YEAR PRO-RATED ELECTRONICS WARRANTY

CLICK HERE TO VIEW THIS PRODUCT:
[HTTPS://AQUACREEKPRODUCTS.COM/](https://aquacreekproducts.com/)



TOLERANCES

DIMENSIONS ARE IN INCHES UNLESS OTHERWISE SHOWN
 FRACTIONAL: ±1/16
 ANGULAR: ±1°
 TWO PLACE DECIMAL: ±.01
 THREE PLACE DECIMAL: .. ±.005

BREAK & DEBURR ALL SHARP EDGES

THE POWER EZ 2

CATALOG NO. F-PEZPL2
 PART NO. INV01526
 WEIGHT CAPACITY: 400lbs. [181.43kg.]

MATERIAL: 304 STAINLESS STEEL
 FINISH: POWDER COAT - WHITE
 APPROX. WEIGHT: 103.01 LBS.



9889 GARRYMORE LANE
 MISSOULA, MT 59808
 (406) 549-0769
 FAX (406) 549-2602
 www.AquaCreek.com

© 2021 AQUA CREEK PRODUCTS. ALL RIGHTS RESERVED.

PROPRIETARY AND CONFIDENTIAL INFORMATION

THIS DRAWING AND ALL INFORMATION CONTAINED HEREIN IS THE SOLE PROPERTY OF AQUA CREEK PRODUCTS LLC. ANY REPRODUCTION IN PART OR AS A WHOLE WITHOUT WRITTEN PERMISSION FROM AQUA CREEK IS PROHIBITED.

*SPECIFICATIONS ARE SUBJECT TO CHANGE WITHOUT NOTICE

REVISIONS

REV.	DESCRIPTION	DATE	APPROVED
P1	INITIAL RELEASE	7/18/2022	J.MAXWELL
P2	MODIFIED LIFTING EARS	8/15/2022	J.MAXWELL
P3	ADDED SOLAR MOUNTING HOLES	4/26/2023	J.MAXWELL

SCALE
1:14

SHEET
1