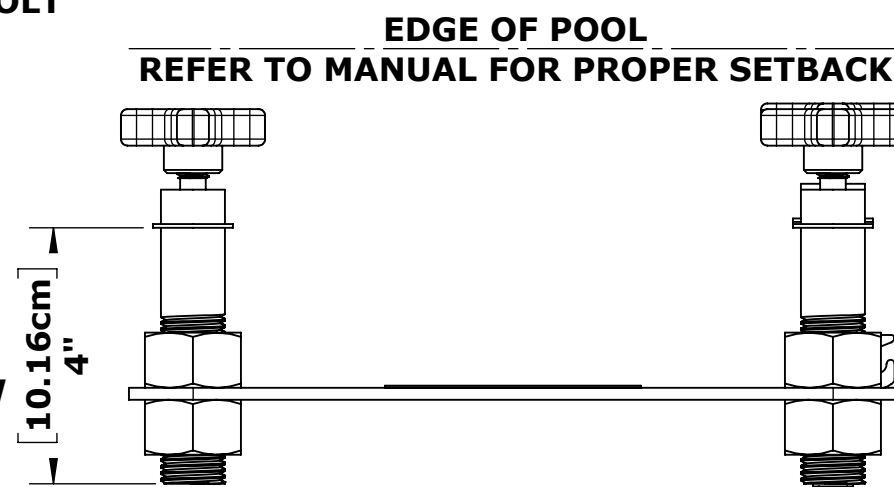
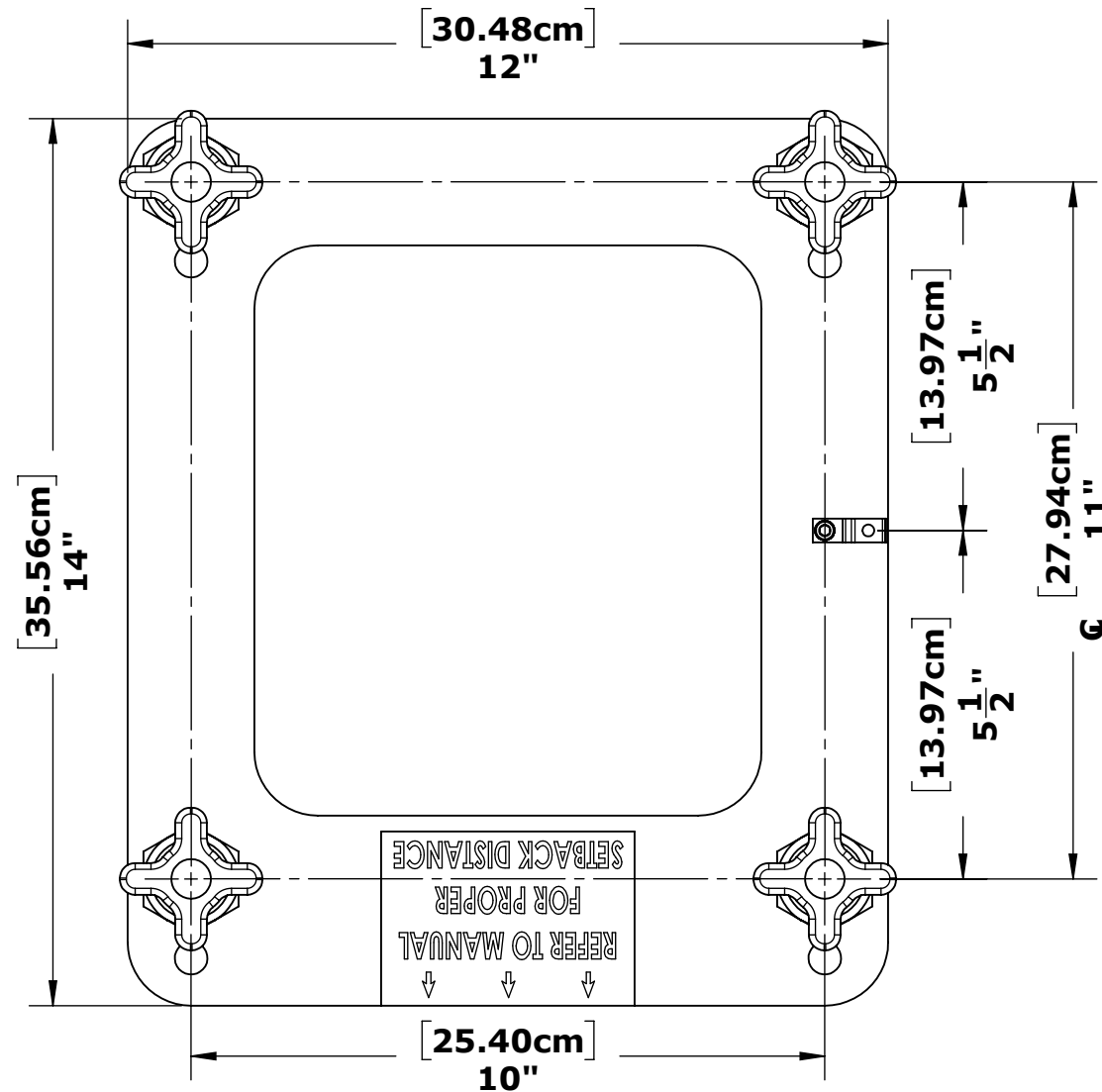


TOLERANCES

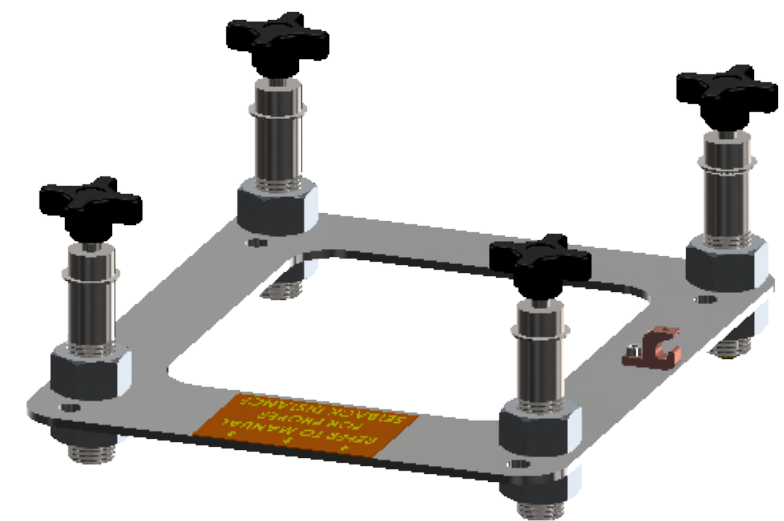
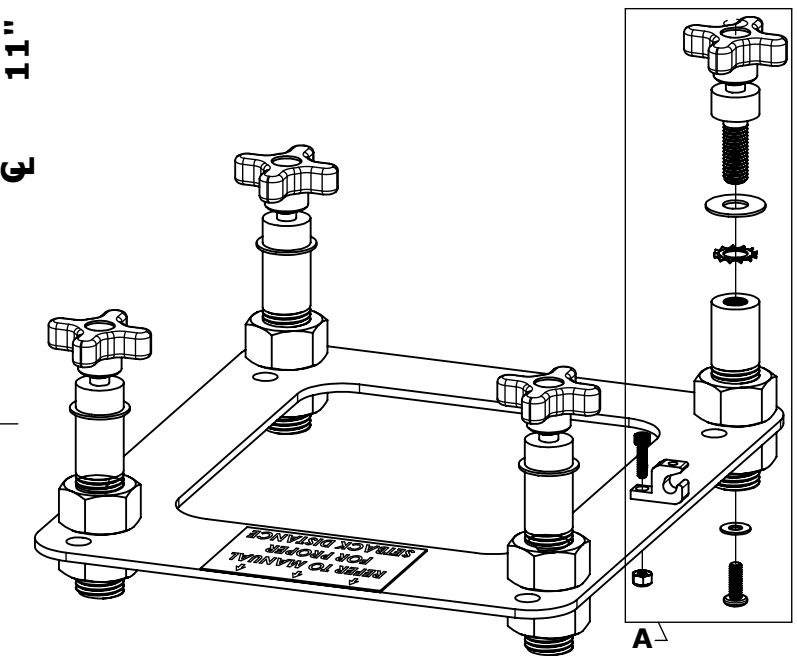
DIMENSIONS ARE IN INCHES
UNLESS OTHERWISE SHOWN
FRACTIONAL: ±1/16
ANGULAR: ±1°
TWO PLACE DECIMAL: ±.01
THREE PLACE DECIMAL: .. ±.005

- KNOB - QUICK ATTACH**
PART NO. INV01523
- WF - 1/2" FLAT WASHER**
PART NO. INV01169
- WET - 1/2" EXTERNAL TOOTH WASHER**
PART NO. INV01188
- ANCHOR INSERT - 4"**
PART NO. INV01582
- NH - 1"-8 HEX NUT ZINC**
PART NO. INV00723
- BSH - #10-24X3/4" SOCKET HEAD BOLT**
PART NO. INV00470
- BONDING LUG**
PART NO. INV00608
- WF - 1/4" FLAT WASHER**
PART NO. INV01170
- SPH - 1/4"-20X1/2" PHILLIPS HEAD SCREW**
PART NO. INV02361
- NN - #10-24 NYLOCK NUT**
PART NO. INV00736

DETAIL A
SCALE 1 : 2



SPECIFICATIONS:
THE AT ANCHOR JIG PLATE ASSEMBLY PROVIDES SEVERAL ANCHORING SOLUTIONS FOR ALL AQUA CREEK AT-SERIES LIFTS; INCLUDING THE PRO POOL-AT & RANGER-AT. THE AT ANCHOR JIG PLATE ASSEMBLY CAN BE USED FOR EXISTING OR NEW CONSTRUCTION POOL & SPA DECKS. FOR NEW CONSTRUCTION THE ANCHOR JIG PLATE IS EMBEDDED IN THE CONCRETE DECK AND IS BONDED USING A SOLID COPPER DIRECT BURIAL TYPE LUG. FOR EXISTING DECKS THE JIG PLATE ACTS AS A TEMPLATE AND A HOLDING FIXTURE. SEE THE LIFT'S OWNERS MANUAL FOR INSTALLATION INSTRUCTIONS & DIMENSIONS.



ANCHOR - EMBEDDED 4IN. - JIG

F-046QAB-AT1
PART NO. INV01406

MATERIAL: 304 STAINLESS STEEL
FINISH: N/A
APPROX. WEIGHT: 12.07 LBS.



9889 GARRYMORE LANE
MISSOULA, MT 59808
(406) 549-0769
FAX (406) 549-2602
www.AquaCreek.com

PROPRIETARY AND CONFIDENTIAL INFORMATION

THIS DRAWING AND ALL INFORMATION CONTAINED HEREIN IS THE SOLE PROPERTY OF AQUA CREEK PRODUCTS LLC. ANY REPRODUCTION IN PART OR AS A WHOLE WITHOUT WRITTEN PERMISSION FROM AQUA CREEK IS PROHIBITED.

*SPECIFICATIONS ARE SUBJECT TO CHANGE WITHOUT NOTICE

REVISIONS			
REV.	DESCRIPTION	DATE	APPROVED
P1	INITIAL RELEASE	5/27/2021	J.MAXWELL

MODEL
P1
REVISION

ANCHOR - EMBEDDED 4IN. - JIG - INV01406

51-163-220

SCALE
1:3

SHEET
1