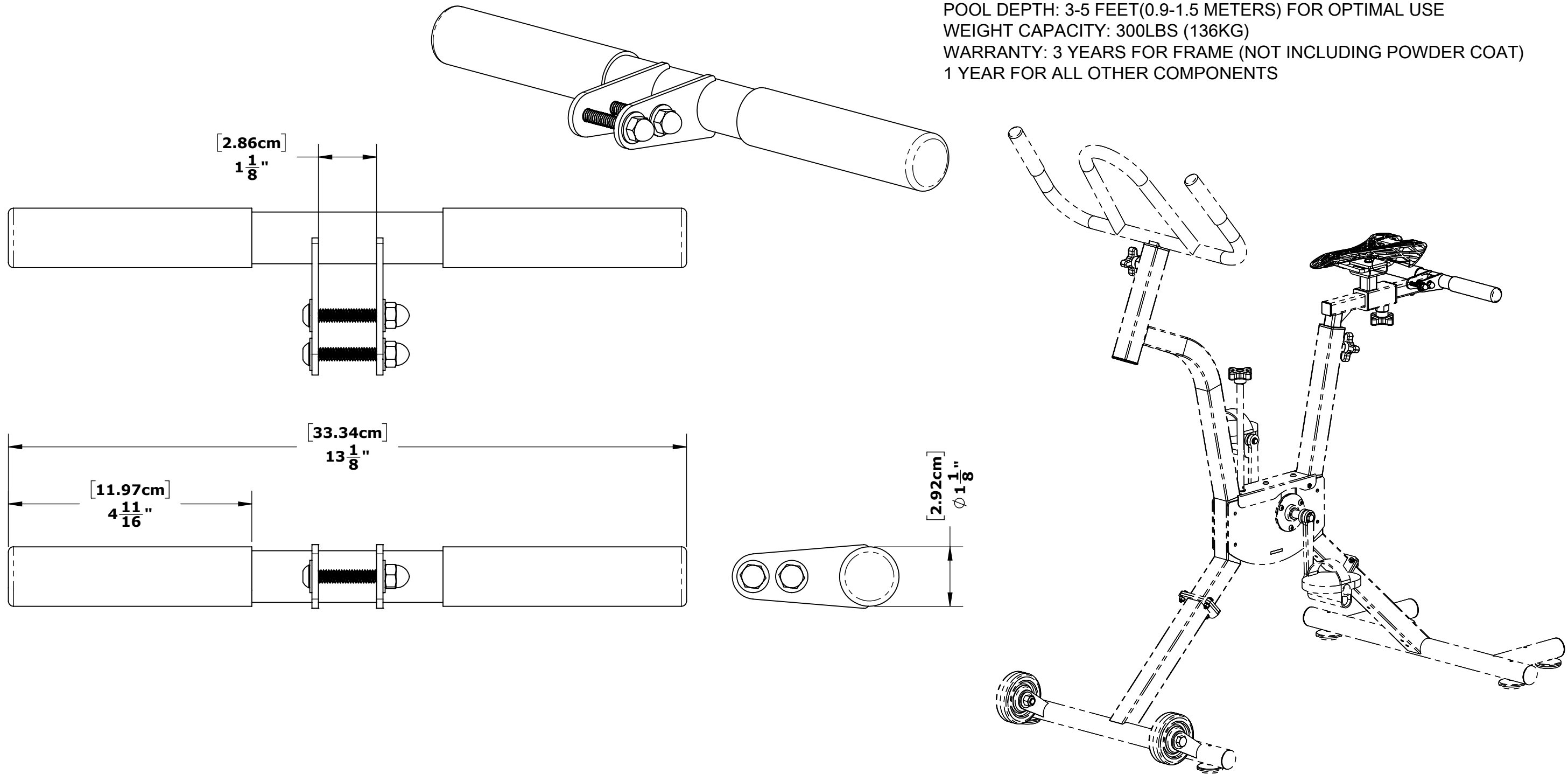


**SPECIFICATIONS:**  
 TRAINING BAR: UHMW PLASTIC, RUBBER, & STAINLESS STEEL  
 SEAT: 4 SEAT ADJUSTMENT SETTINGS, 9 HEIGHT ADJUSTMENT SETTINGS  
 POOL DEPTH: 3-5 FEET(0.9-1.5 METERS) FOR OPTIMAL USE  
 WEIGHT CAPACITY: 300LBS (136KG)  
 WARRANTY: 3 YEARS FOR FRAME (NOT INCLUDING POWDER COAT)  
 1 YEAR FOR ALL OTHER COMPONENTS



**ASSEMBLY - TRAINING BAR - INV02782**

**TOLERANCES**

DIMENSIONS ARE IN INCHES  
 UNLESS OTHERWISE SHOWN  
 FRACTIONAL: ..... ±1/16  
 ANGULAR: ..... ±1°  
 TWO PLACE DECIMAL: .... ±.01  
 THREE PLACE DECIMAL: .. ±.005

**ASSEMBLY - TRAINING BAR**  
**F-PWVTB**  
**PART NO. INV02782**

**MATERIAL: 316 STAINLESS STEEL**  
**FINISH: POWDER COAT - BLACK**  
**APPROX. WEIGHT: 1.05 LBS.**



**9889 GARRYMORE LANE**  
**MISSOULA, MT 59808**  
**(406) 549-0769**  
**FAX (406) 549-2602**  
**www.AquaCreek.com**

**PROPRIETARY AND CONFIDENTIAL INFORMATION**

THIS DRAWING AND ALL INFORMATION CONTAINED HEREIN IS THE SOLE PROPERTY OF AQUA CREEK PRODUCTS LLC. ANY REPRODUCTION IN PART OR AS A WHOLE WITHOUT WRITTEN PERMISSION FROM AQUA CREEK IS PROHIBITED.

\*SPECIFICATIONS ARE SUBJECT TO CHANGE WITHOUT NOTICE

REVISIONS			
REV.	DESCRIPTION	DATE	APPROVED
P1	INITIAL RELEASE	11/28/2022	J.MAXWELL
P2	REMOVED WELDMENT 02152	11/30/2022	J.MAXWELL

51-163-220

SCALE  
1:2

SHEET  
**1**