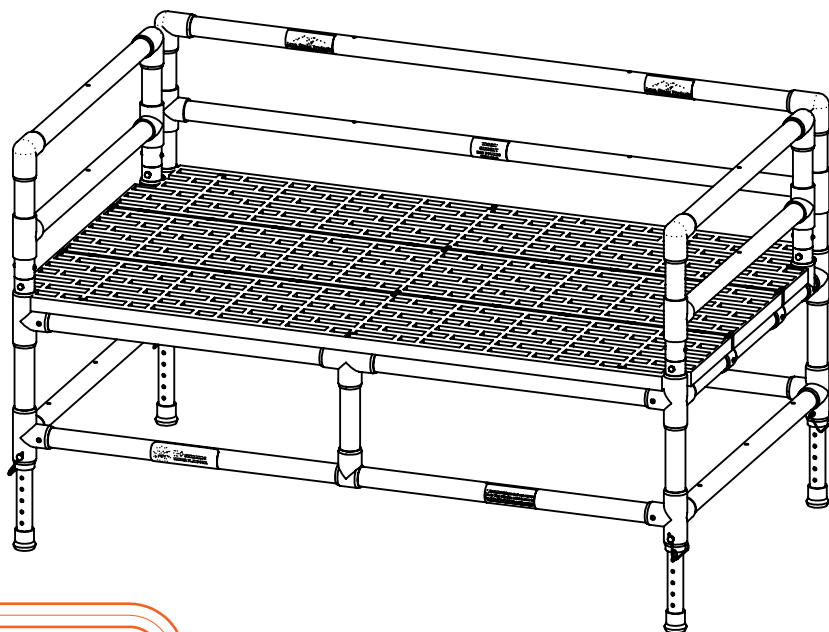


## MANDATORY

LEAVE THIS MANUAL WITH OWNER

Read and follow all instructions.  
Lift safety can only be ensured if the lift is  
installed and operated according to these  
instructions.



## READ CAREFULLY

Check entire box and all packing materials for parts. Before beginning assembly, read the instructions and identify parts using the figures and parts listed in this document.

It is critical that all parts be carefully inspected prior to installation. If any damage occurred in transit, Aqua Creek Products, LLC must be notified within three days of receipt of unit.

Proper installation cannot be overstressed, as an improper installation voids Aqua Creek's warranty and may affect the safety of the user.

- **FOR SAFETY REASONS**
- **NEVER** swim alone
- **NEVER** swim under the platform
- **OPTIMAL USE** in water depth of 3 to 4 feet (.09 to 1.2 meters).
- **WEIGHT CAPACITY 300LB. [136kg] Max.**

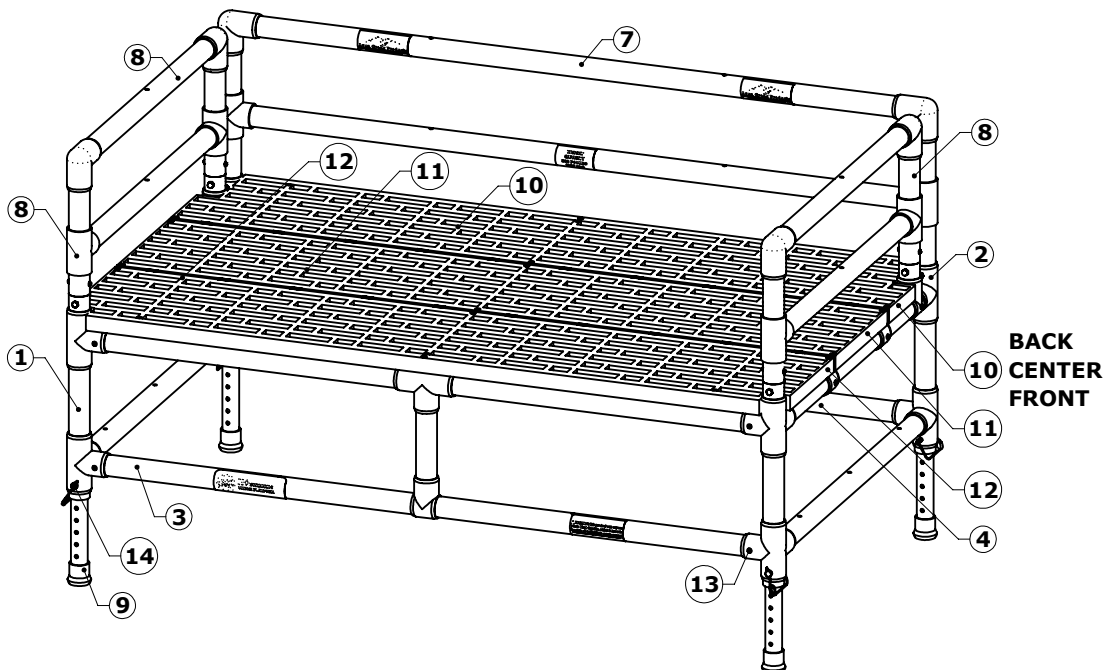
Aqua Creek Products, LLC  
9889 Garrymore Lane  
Missoula, MT 59808  
Toll Free: (888) 687-3552  
Local/Intl: (406) 549-0769  
[www.aquacreek.com](http://www.aquacreek.com)

PAGE	PRODUCT DOCUMENTS	PAGE	PRODUCT DOCUMENTS
<b>1</b>	<i>COVER SHEET</i>	<b>5</b>	<i>ASSEMBLY - STEP 03</i>
<b>2</b>	<i>TABLE OF CONTENTS COMPONENTS</i>	<b>6</b>	<i>ASSEMBLY - STEP 04 - 06</i>
<b>3</b>	<i>ASSEMBLY - STEP 01</i>	<b>7</b>	<i>ASSEMBLY - STEP 07</i>
<b>4</b>	<i>ASSEMBLY - STEP 02</i>	<b>8</b>	<i>WARANTY</i>

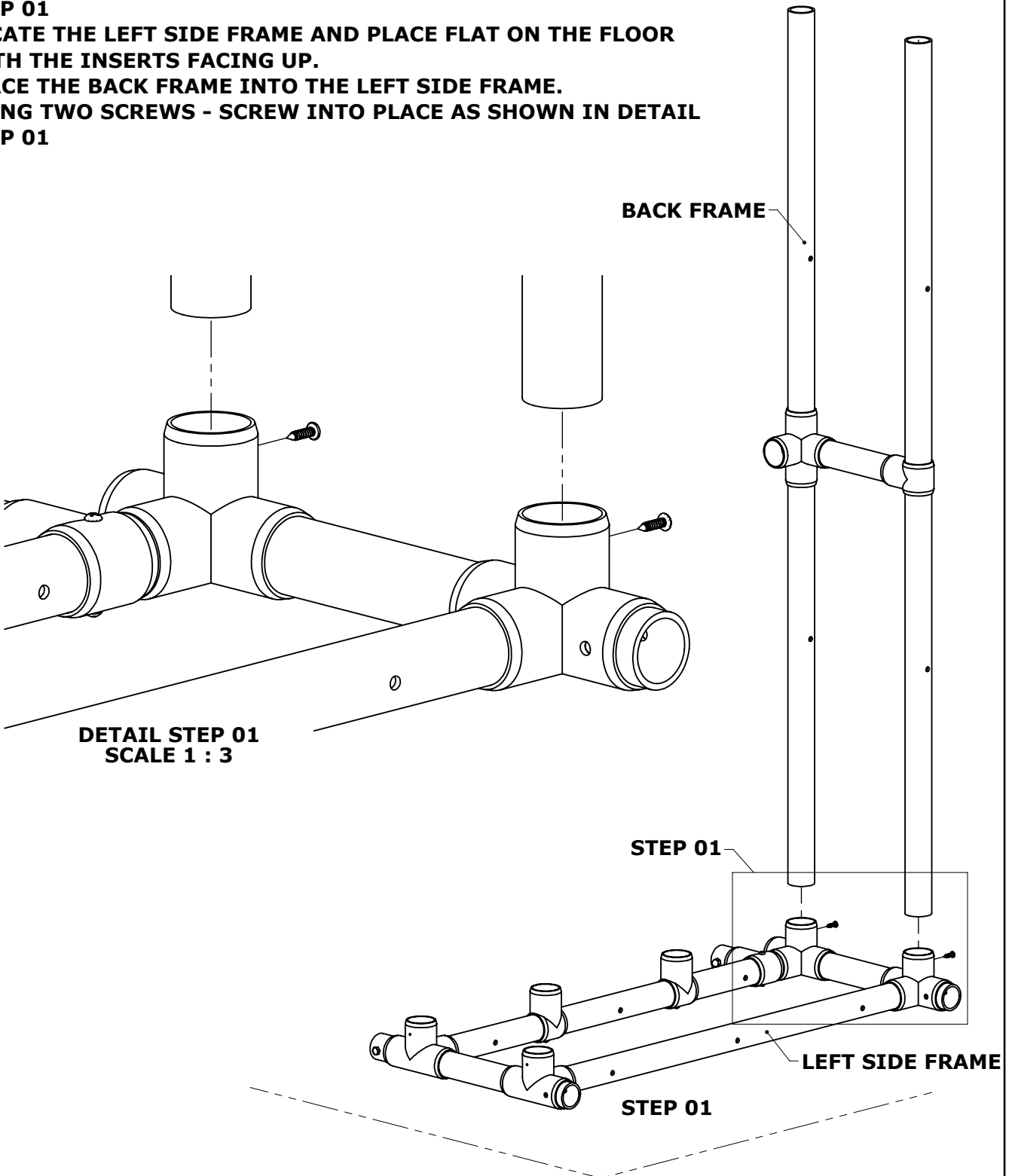
**SWIM TRAINING PLATFORM - CATALOG NO. CATALOG NO. F-250TTP**

SWIM TRAINING PLATFORM - INV02348				
ITEM	PART NO.	QTY.	REV.	DESCRIPTION
1	INV03138	1	P1	ASSEMBLY - SIDE FRAME (L) - STP
2	INV03142	1	P1	ASSEMBLY - SIDE FRAME (R) - STP
3	INV03155	1	P1	ASSEMBLY - FRONT/BACK - STP
4	INV03155	1	P1	ASSEMBLY - FRONT/BACK - STP
5	INV03154	1	P1	ASSEMBLY - TOP FRAME - STP
6	INV03157	2	P1	1.25" SCH40 PVC PIPE - 9.25"
7	INV02833	1	P1	ASSEMBLY - BACK RAIL - STP
8	INV02834	2	P1	ASSEMBLY - SIDE RAIL - STP
9	INV02836	4	P1	ASSEMBLY - ADJUSTABLE LEG - STP
10	INV01113 (B)	1	P1	GRATING - POLYPROPYLENE DECKING
11	INV01113 (M)	1	P1	GRATING - POLYPROPYLENE DECKING
12	INV01113 (F)	1	P1	GRATING - POLYPROPYLENE DECKING
13	INV01071	26	-	SPH - #10X3/4" PHILLIPS HEAD SCREW
14	INV02314	4	-	SP - 1/4"X2 1/4" SNAP PIN

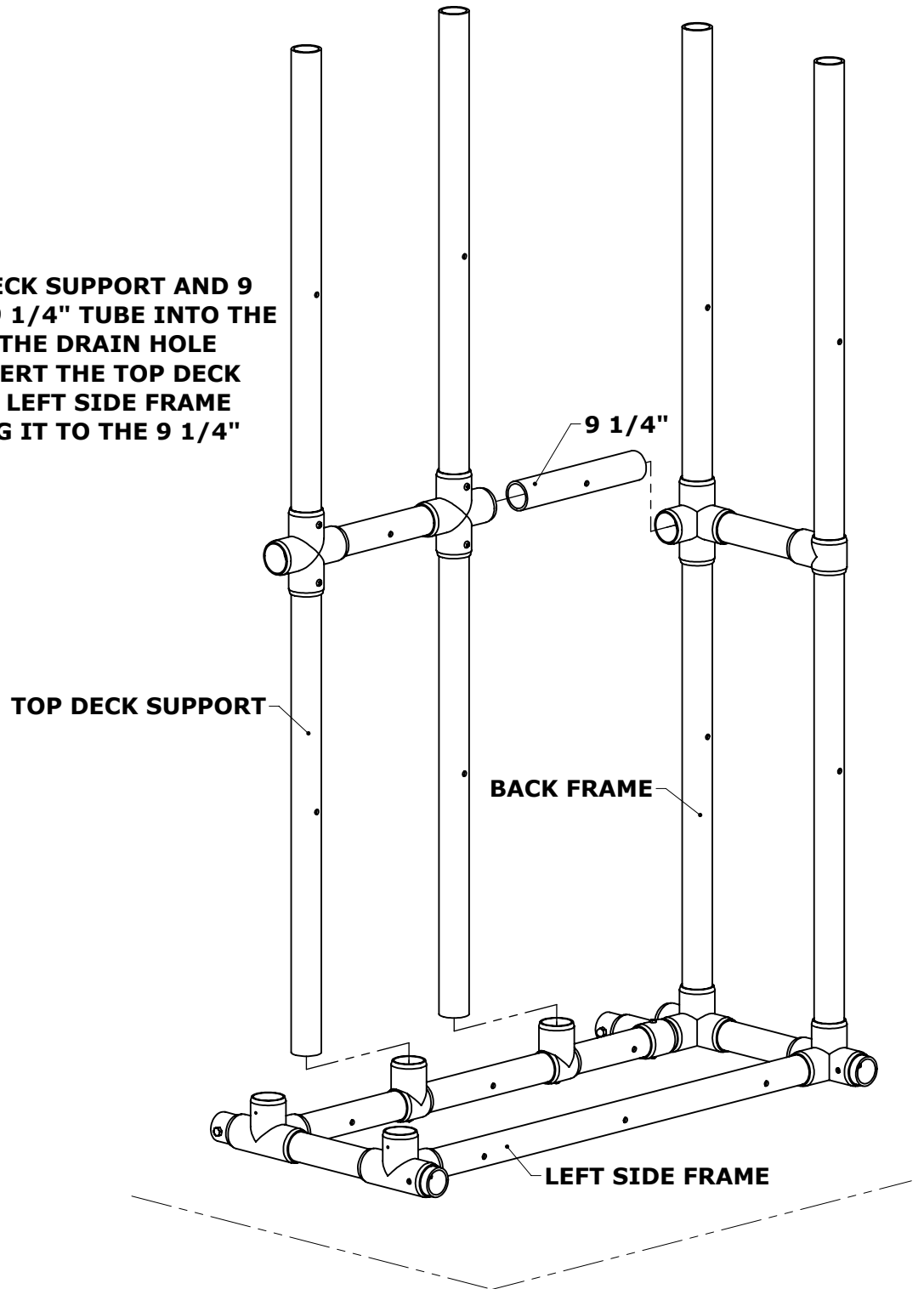
**WITH LABELS**  
**WITHOUT LABELS**  
**NOT SHOWN - UNDER DECKING**  
**NOT SHOWN - UNDER DECKING**

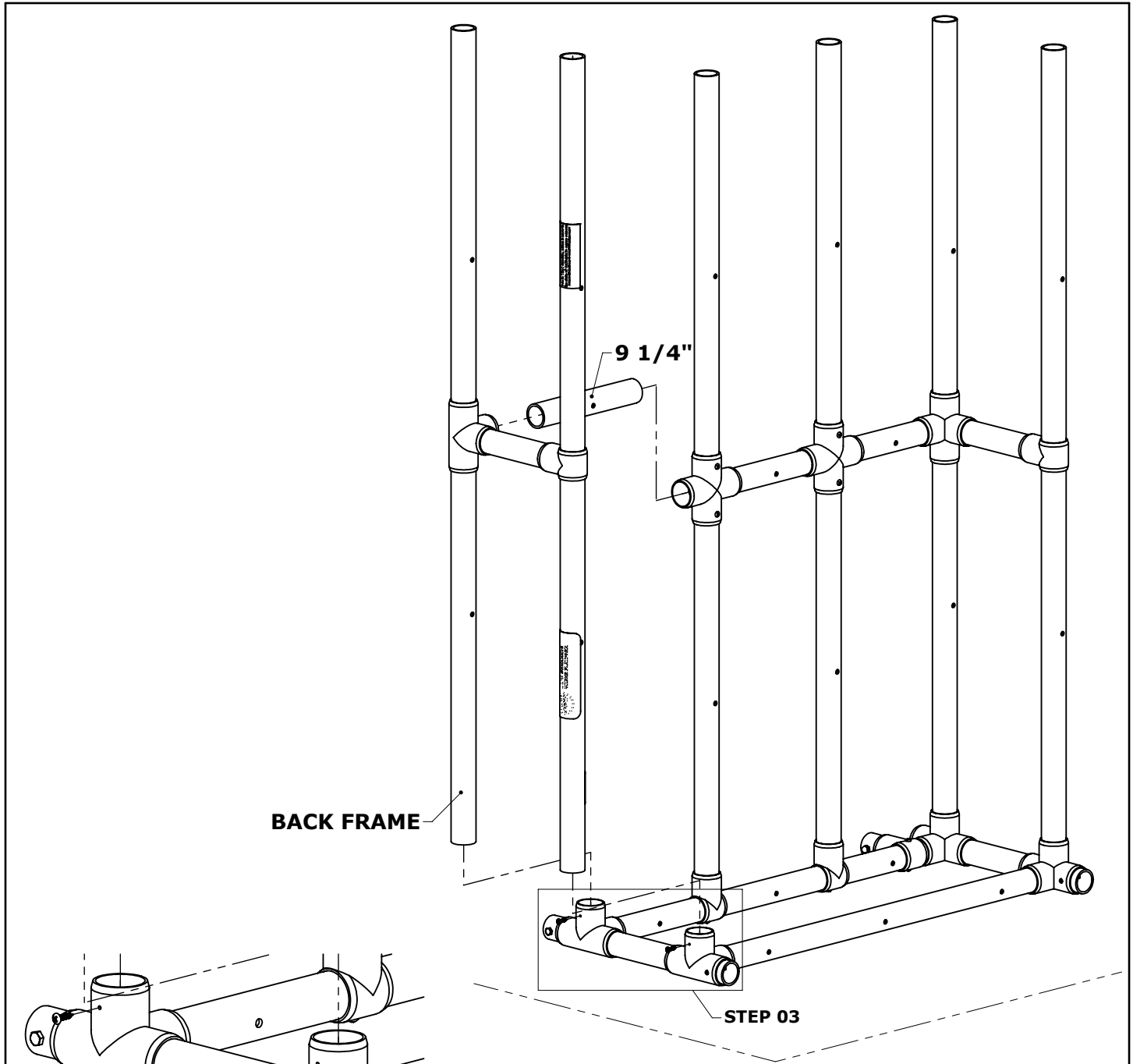


**STEP 01**  
 LOCATE THE LEFT SIDE FRAME AND PLACE FLAT ON THE FLOOR  
 WITH THE INSERTS FACING UP.  
 PLACE THE BACK FRAME INTO THE LEFT SIDE FRAME.  
 USING TWO SCREWS - SCREW INTO PLACE AS SHOWN IN DETAIL  
**STEP 01**



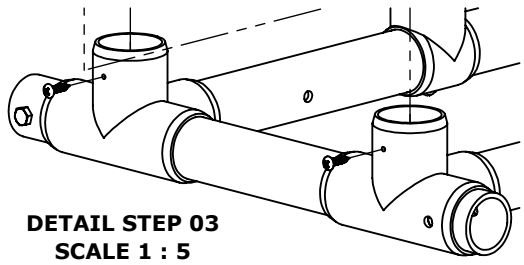
**STEP 02**  
LOCATE THE TOP DECK SUPPORT AND 9 1/4" TUBE. PLACE 9 1/4" TUBE INTO THE BACK FRAME WITH THE DRAIN HOLE FACING DOWN. INSERT THE TOP DECK SUPPORT INTO THE LEFT SIDE FRAME WHILE CONNECTING IT TO THE 9 1/4" TUBE.





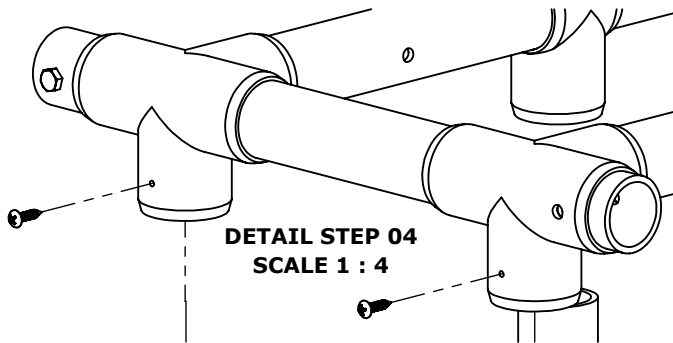
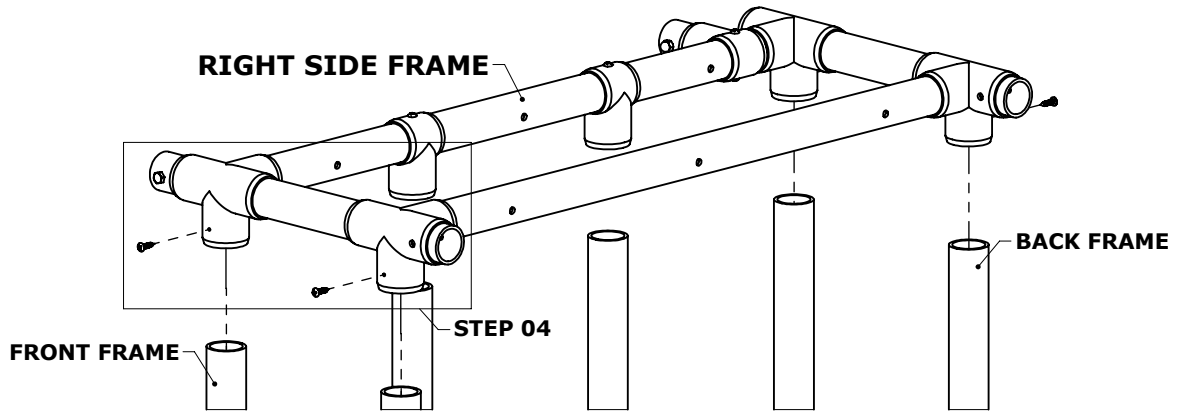
**BACK FRAME**

**STEP 03**

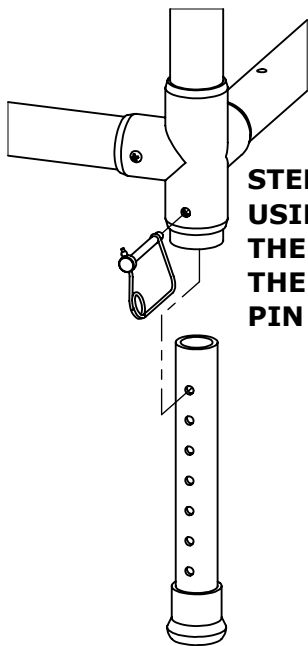


**DETAIL STEP 03**  
 SCALE 1 : 5

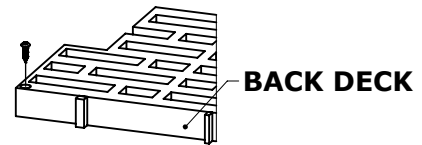
**STEP 03**  
 LOCATE THE FRONT FRAME AND THE 9 1/4" TUBE.  
 PLACE THE 9 1/4" TUBE INTO THE TOP DECK  
 SUPPORT WITH THE DRAIN HOLE FACING DOWN.  
 INSERT THE FRONT FRAME INTO THE LEFT SIDE  
 FRAME WHILE CONNECTING IT TO THE 9 1/4" TUBE.  
 USING 02 PHILLIPS HEAD SCREWS, FASTEN INTO  
 PLACE WITH THE PRE-DRILLED HOLES. SEE DETAIL  
 STEP 03



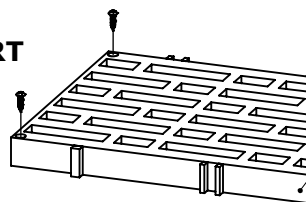
**STEP 04**  
LOCATE THE RIGHT SIDE FRAME. PLACE THE RIGHT SIDE FRAME ONTO THE FRONT AND BACK FRAME TUBES. USING 04 PHILLIPS HEAD SCREWS, FASTEN INTO PLACE WITH THE PRE-DRILLED HOLES. SEE DETAIL STEP 04



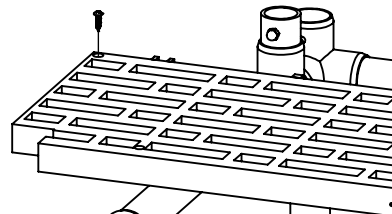
**STEP 05**  
USING THE 04 SAFETY PINS, INSERT THE ADJUSTABLE LEGS (04) INTO THE LEFT AND RIGHT SIDE FRAME. PIN INTO PLACE.



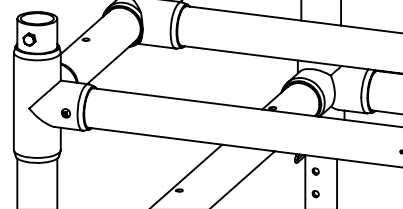
**BACK DECK**



**CENTER DECK**

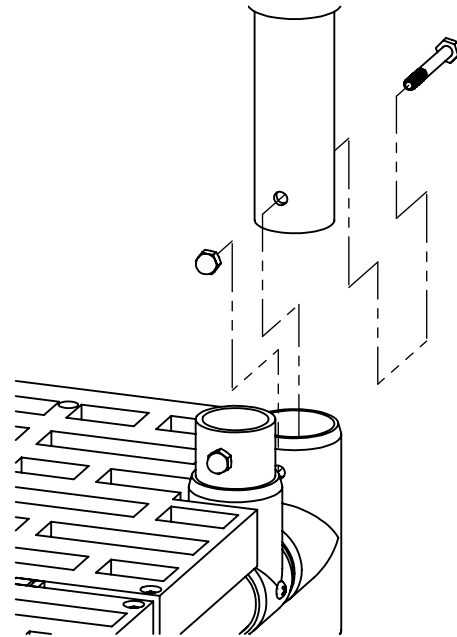
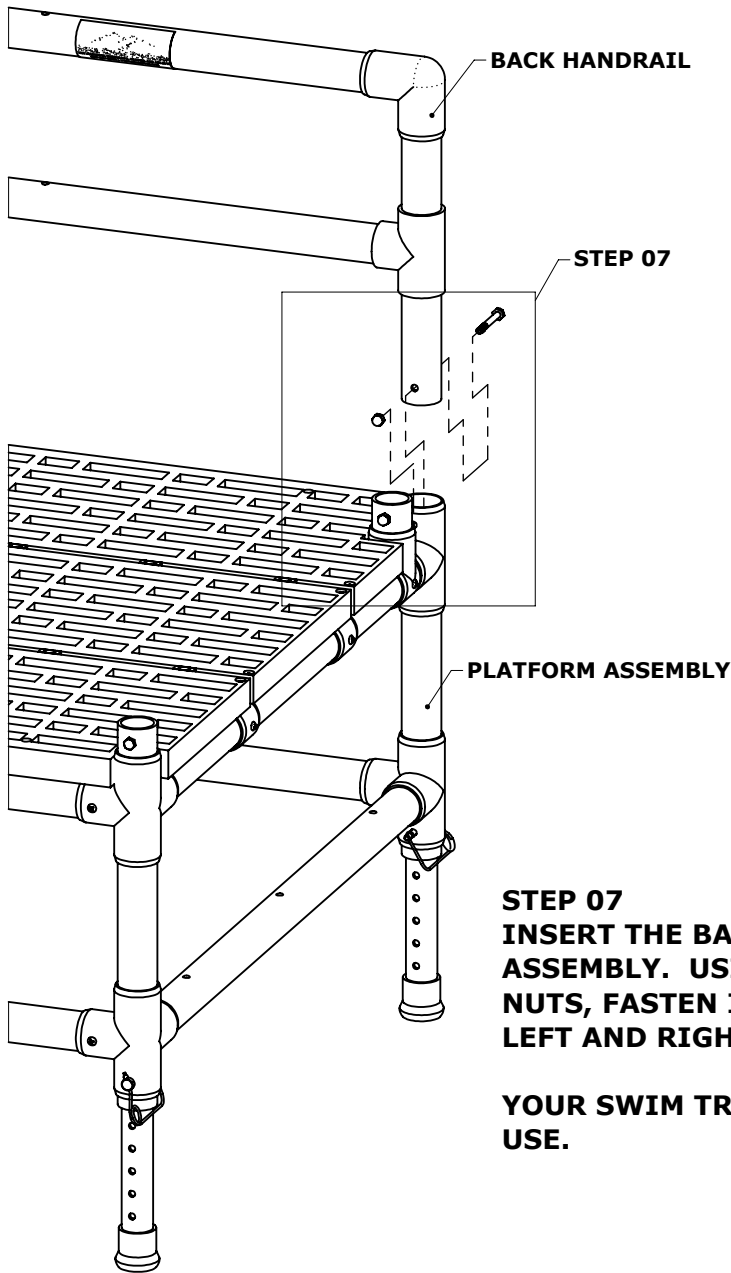


**FRONT DECK**



**FRAME ASSEMBLY**

**STEP 06**  
USING THE 03 DECK PIECES, BACK, CENTER, AND FRONT, PLACE ONTO THE FRAME ASSEMBLY. SCREW INTO PLACE USING 18 PHILLIPS HEAD SCREWS.



**STEP 07**  
**INSERT THE BACK HANDRAIL INTO THE DECK ASSEMBLY. USING THE PROVIDED BOLTS AND ACORN NUTS, FASTEN INTO PLACE. REPEAT FOR BOTH THE LEFT AND RIGHT HANDRAIL.**

**YOUR SWIM TRAINING PLATFORM IS NOW READY FOR USE.**



# SWIM TRAINING PLATFORM

## CATALOG NO. CATALOG NO. F-250TTP

### **AQUA CREEK PRODUCTS, LLC LIMITED ONE (1) YEAR WARRANTY:**

Aqua Creek Products, LLC (a.k.a. Aqua Creek) warrants to the original end user purchaser that products manufactured by Aqua Creek, when properly installed in accordance with assembly and installation instructions and properly used and maintained, shall be free from defects in material and workmanship for a period of one (1) year from the date of original purchase, provided that Aqua Creek receives prompt notice in writing of any defect or failure and satisfactory proof thereof, with the following exceptions:

#### **Exceptions:**

- This warranty specifically excludes reimbursement for labor to remove, repair, or install the product and any freight charges.
- This warranty does not cover any damages due to accident, force majeure, act of nature, misuse, abuse, negligence or failure to properly maintain any products, or normal wear and tear from day to day operations.
- In the event that any products are altered, repaired, or improperly installed by anyone without the prior written approval by Aqua Creek, all warranties are void.

**IMPORTANT:** User is not to exceed the rated weight capacity of this product. It is the responsibility of the product owner to verify the weight of the patron for warranty claim purposes and to ensure that the product is not overloaded.

To initiate a warranty claim, the owner of an Aqua Creek product must provide the place of purchase, in writing, with a full description of the product, its serial number, the dates of purchase and installation, and the exact nature of the defect. Within thirty (30) days after receipt of a written warranty claim by Aqua Creek, and barring any unforeseen delays, the place of purchase will be notified of Aqua Creek's decision regarding the claim. All warranty calculations are from date of original purchase at manufacturer's suggested retail price. Nonpayment for product to Aqua Creek may void warranty.

If requested by Aqua Creek, any defective product must be returned, freight prepaid by customer, to Aqua Creek's designated factory location or duly appointed distributor for inspection and/or repair. Aqua Creek will, at its option, repair or replace the failed or defective item, and deliver the repaired product or replacement to the customer. All freight charges are the responsibility of the customer. Products returned to Aqua Creek for which Aqua Creek provides replacement under this limited warranty shall become the property of Aqua Creek. A new warranty period shall NOT be established for the repaired or replaced products. Such products shall remain under warranty only for the remainder of the original warranty period on the original products purchased.

This written limited warranty constitutes the final, complete and exclusive statement of warranty terms. No person or organization is authorized to make any other specific or implied warranties or representations on behalf of Aqua Creek.

THE WARRANTIES SET FORTH HEREIN ARE IN LIEU OF ALL OTHER WARRANTIES, EXPRESSED OR IMPLIED, WHICH ARE HEREBY DISCLAIMED AND EXCLUDED, INCLUDING WITHOUT LIMITATION ANY WARRANTY OF MERCHANTABILITY OR FITNESS FOR A PARTICULAR PURPOSE OR USE.

THE SOLE AND EXCLUSIVE REMEDIES FOR BREACH OF ANY AND ALL WARRANTIES WITH RESPECT TO THE PRODUCTS SHALL BE LIMITED TO REPAIR OR REPLACEMENT AT AQUA CREEK'S DESIGNATED FACTORY LOCATION, OR DULY APPOINTED DISTRIBUTOR, OR IN PLACE AT AQUA CREEK'S OPTION. IN NO EVENT SHALL AQUA CREEK'S LIABILITY EXCEED THE ENTIRE AMOUNT PAID TO AQUA CREEK BY THE ORIGINAL PURCHASER FOR THE FAILED OR DEFECTIVE PRODUCT.

IN NO EVENT SHALL AQUA CREEK PRODUCTS, LLC BE LIABLE FOR ANY INCIDENTAL, CONSEQUENTIAL, SPECIAL, INDIRECT, PUNITIVE OR EXEMPLARY DAMAGES OR LOST PROFITS FROM ANY BREACH OF THIS LIMITED WARRANTY OR OTHERWISE.

**Aqua Creek Products, LLC**  
**9889 Garrymore Lane**  
**Missoula, MT 59808**  
**Toll Free: (888) 687-3552**  
**Local/Intnl: (406) 549-0769**  
**[www.aquacreek.com](http://www.aquacreek.com)**