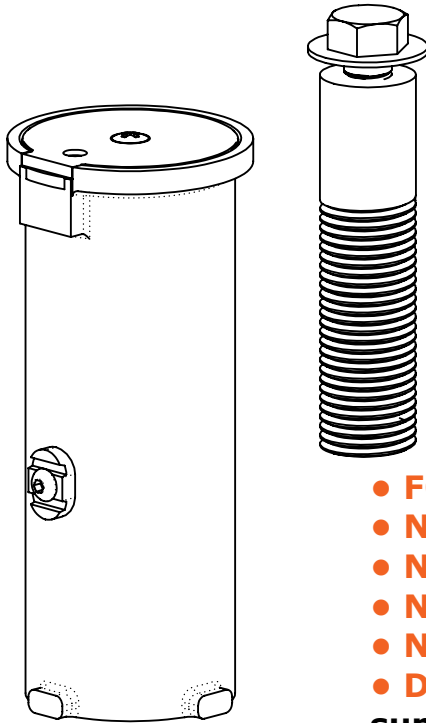


**USE THIS MANUAL FOR PART #'s:**  
**F-MTY400 / F-MTY600 / F-SCTXL**



**MANDATORY**

**LEAVE THIS MANUAL WITH OWNER**

**Read and follow all instructions.**  
**Lift safety can only be ensured if the lift is installed and operated according to these instructions.**

- **FOR SAFETY REASONS**
- **NEVER** swim alone
- **NEVER** use the lift with a dry pool
- **NEVER** apply direct water pressure to the electronics
- **NEVER** permit children to play on or around the lift
- **DO NOT** allow children to use the lift without adult supervision

**READ CAREFULLY**

Check entire box and all packing materials for parts. Before beginning assembly, read the instructions and identify parts using the figures and parts listed in this document.

It is critical that all parts be carefully inspected prior to installation. If any damage occurred in transit, Aqua Creek Products, LLC must be notified within three days of receipt of unit.

Proper installation cannot be overstressed, as an improper installation voids Aqua Creek's warranty and may affect the safety of the user.

**Aqua Creek Products, LLC**  
**9889 Garrymore Lane**  
**Missoula, MT 59808**  
**Toll Free: (888) 687-3552**  
**Local/Intl: (406) 549-0769**  
**www.aquacreek.com**

## **READ ALL INSTRUCTIONS BEFORE USING**



**WARNING** - To reduce the risk of injury, do not permit children to use this product unless they are closely supervised at all times.

This appliance is not intended for use by persons (including children) with reduced physical, sensory or mental capabilities, or lack of experience and knowledge, unless they have been given supervision or instruction concerning use of the appliance by a person responsible for their safety.

A wire connector is provided on the unit to connect a minimum 8 AWG (8.4mm<sup>2</sup>) solid copper conductor between this unit and the means for local equipotential bonding.

Check the unit periodically for signs of deterioration: Keep all nuts, bolts and screws tight to be sure the lift is in safe working condition.

## **SAVE THESE INSTRUCTIONS**

Affix supplied ADA POOL/SPA LIFT sign in a location visible from the lift at all times.

Rechargeable batteries are to be removed from the appliance before being charged. Batteries are to be inserted with the correct polarity. If the appliance is to be stored unused for a long period of time, the batteries should be removed and stored on the wall mounted charger to maintain the battery charge. The supply terminals are not to be short-circuited.

### **REDUCE THE RISK OF DROWNING!**

Supervise children at all times.

No jumping or diving from the lift.

Seat may be hot, use caution when entering.

Keep covered when not in use. Inspect and clean before use.

### **INDOOR BATTERY CHARGER:**

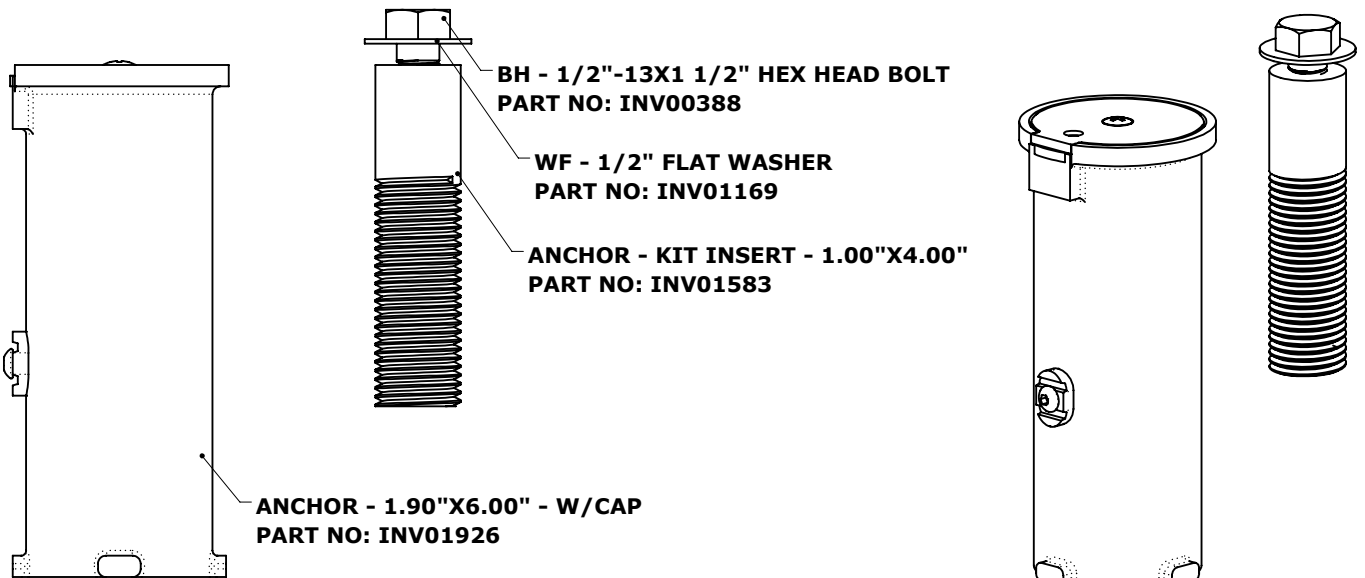
AMPERAGE = 0.65 FREQUENCY = 60

### **24 VOLT BATTERY**

AMPERAGE = 10 IP RATING = IPX5

PAGE	PRODUCT DOCUMENTS	PAGE	PRODUCT ASSEMBLY
<b>1</b>	<i>COVER SHEET</i>	<b>11</b>	<i>MIGHTY 600 - DECK SECTION</i>
<b>2</b>	<i>IMPORTANT SAFETY INSTRUCTIONS</i>	<b>12</b>	<i>SCOUT EXCEL</i>
<b>3</b>	<i>TABLE OF CONTENTS</i>	<b>13</b>	<i>SCOUT EXCEL - DECK SECTION</i>
<b>4</b>	<i>ADA REQUIREMENTS (COMMERCIAL ONLY)</i>		
<b>5</b>	<i>CORE-DRILL RETRO-FIT</i>		
<b>6</b>	<i>CORE-DRILL RETRO-FIT (CONTINUED)</i>		
<b>7</b>	<i>SAW-CUT RETRO-FIT NEW CONSTRUCTION</i>		
<b>8</b>	<i>MIGHTY 400</i>		
<b>9</b>	<i>MIGHTY 400 - DECK SECTION</i>		
<b>10</b>	<i>MIGHTY 600</i>		

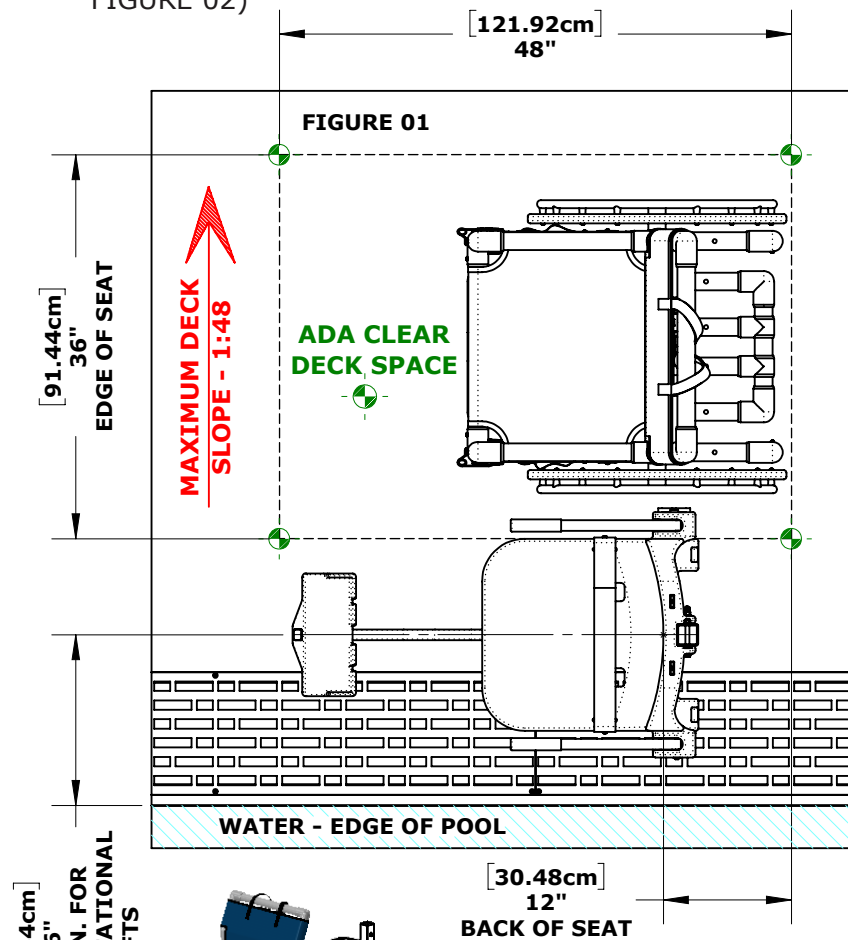
**ANCHOR - 1.90"X6.00" - W/KIT - CATALOG NO. F-808SA**



AQUA CREEK PRODUCT'S LIFTS ARE COMPLETELY ADA COMPLIANT WHEN INSTALLED CORRECTLY.

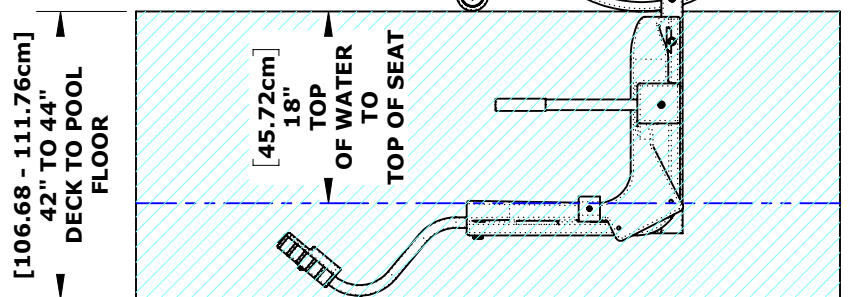
THE INSTALLATION MUST MEET THE FOLLOWING REQUIREMENTS:

- CLEAR DECK SPACE DIMENSIONS (SEE FIGURE 01)
- INSTALL LIFT A MINIMUM OF 16 INCH SEAT  $\phi$  FROM THE POOL EDGE (NON-ROTATIONAL) (FOR CURVED POOL WALLS CONTACT AQUA CREEK PRODUCTS FOR PLACEMENT)
- DECK SLOPE NO GREATER THAN 1:48
- THE SEAT MUST BE SUBMERGED AT LEAST 18 INCHES INTO THE WATER. THE LIFT SHOULD BE INSTALLED AT A LOCATION WITH 42-48 INCHES OF DEPTH, DECK TO POOL FLOOR. (SEE FIGURE 02)



**NOTE: OTHER REQUIREMENTS MAY BE NECESSARY BASED ON LOCAL CODE REQUIREMENTS. THE ANCHOR SYSTEM SHOULD BE BONDED ACCORDING TO NEC SECTION 680 AND/OR LOCAL CODE REQUIREMENTS.**

FIGURE 02



**NOTE: YOUR LOCAL CODES MAY REQUIRE ONE OR MORE PERMITS. CHECK WITH YOUR LOCAL BUILDING CODES FOR THE PROPER PERMIT REQUIREMENTS.**

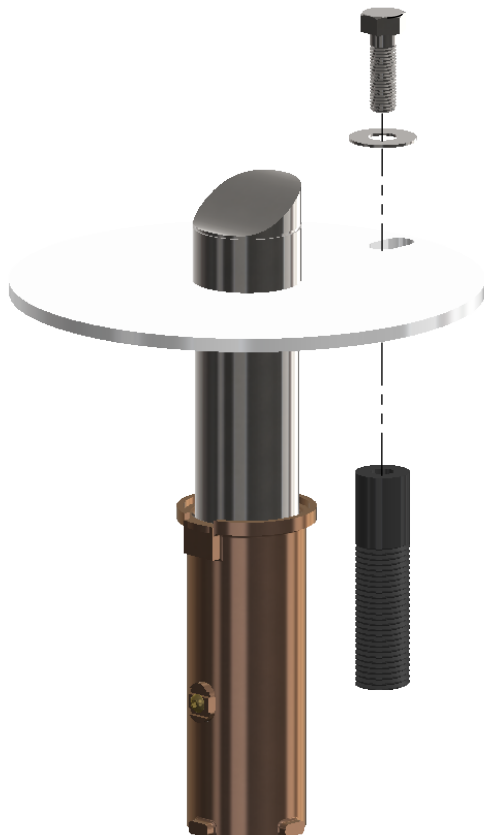
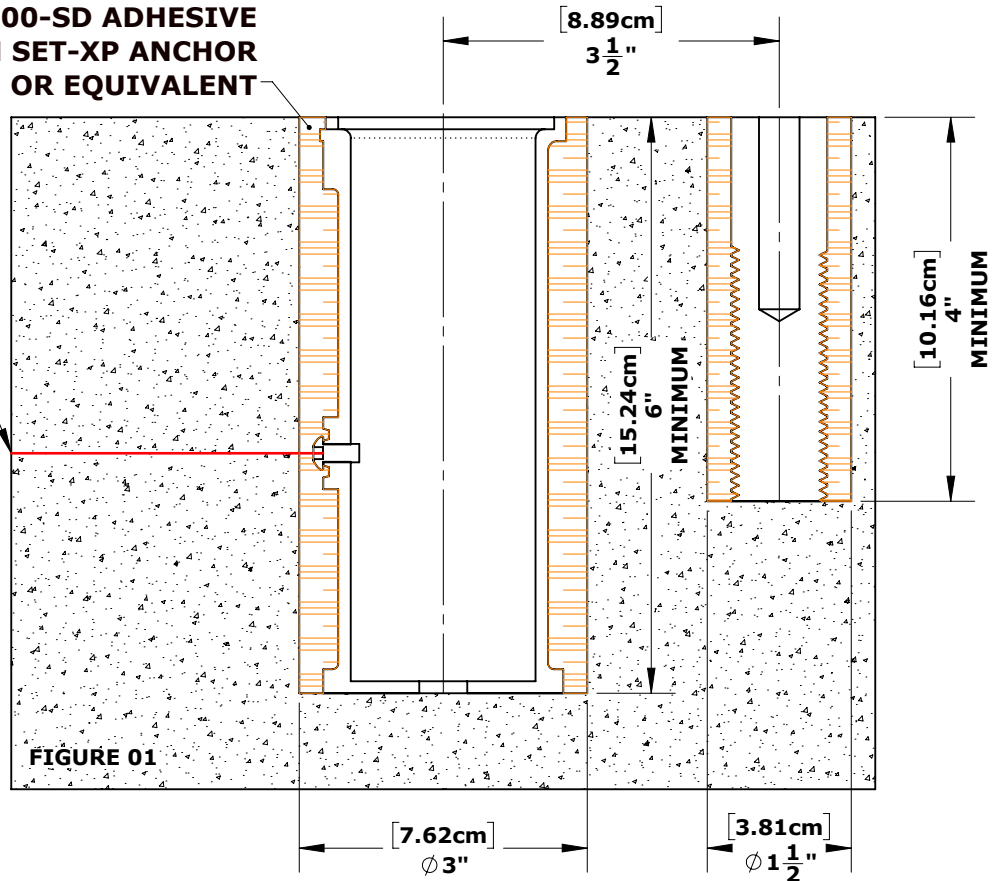
**TOOLS REQUIRED:**

**CORE DRILL, MARKING PEN, 3" CORE DRILL BIT, AIR NOZZLE & PUMP/COMP., 1 1/2" CORE DRILL BIT, HEAT GUN (OPTIONAL), EPOXY (ANCHOR ADHESIVE), MASKING TAPE**

1. Mark the center of the anchor location on your deck using the guidelines on page 3. Also mark the center for the fixing anchor 3 1/2" from the center anchor.
2. Using a 3" diameter core-drill bit, drill a 3" diameter hole at the anchor location. Make sure to keep the bit square to the deck. Drill straight down to a depth of at least 6". Then use a 1 1/2" drill bit for the fixing anchor, drilling down at least 4"  
***NOTE: Create a depth marker on the drill bit with black electrical tape to make sure you drill to the right depth.***  
***If you drill through the deck you may need to use the saw-cut installation instructions.***
3. Remove plug and clean out the holes with a wire brush. Insert an air nozzle to the bottom of the hole. Use a pump or compressed air to blow out the hole. A heat-gun may be helpful in drying out the hole.
4. Place the anchor in the hole and 'dry-fit' it first to make sure the anchor will be flush and plumb with the finished deck surface when installed. Adjust the hole as needed.  
***NOTE: Pool decks with pavers or thick tiles may require other anchor options. Contact Aqua Creek Products.***
5. Inject epoxy adhesive into each hole starting at the bottom until the hole is 1/3 to 1/2 full.  
***NOTE: We recommend using masking tape around the top of the anchors so that no epoxy gets inside the anchors.***
6. Install the anchor into the epoxy filled hole by pushing down and twisting back and forth to evenly distribute the epoxy around the anchor. Push down until it is flush with the finished deck surface. Clean off any excess epoxy. Adjust the anchor as needed to make sure it is flush and plumb with the deck surface. This should be done during the adhesives' specified 'gel time' (see epoxy manufacturers' instructions).
7. Let the epoxy cure for at least 24 hours before installing the lift (or where applicable according to the epoxy manufacturers' instructions).

USE HILTI RE-500-SD ADHESIVE ANCHOR OR SIMPSON SET-XP ANCHOR ADHESIVE OR EQUIVALENT

ANCHOR MUST BE BONDED ACCORDING TO LOCAL REQUIREMENTS



**FIGURE 02**

**MIGHTY 400 INSTALL YOUR DECK MUST HAVE:**

- **MINIMUM FOOTING SIZE: 4' - 0" x 4' - 0" x 10" THICK**
- **MINIMUM CONCRETE STRENGTH: 4500 PSI**
- **REINFORCEMENT: #3 REBAR @ 10" ON CENTER (O.C.)**  
(SEE MIGHTY 400 SAW-RETRO FIT/NEW CONSTRUCTION FOR ANCHOR PLACEMENT)

**MIGHTY 600 INSTALL YOUR DECK MUST HAVE:**

- **MINIMUM FOOTING SIZE: 4' - 6" x 4' - 6" x 10" THICK**
- **MINIMUM CONCRETE STRENGTH: 4500 PSI**
- **REINFORCEMENT: #4 REBAR @ 10" ON CENTER (O.C.)**  
(SEE MIGHTY 600 SAW-RETRO FIT/NEW CONSTRUCTION FOR ANCHOR PLACEMENT)

**SCOUT EXCEL INSTALL YOUR DECK MUST HAVE:**

- **MINIMUM FOOTING SIZE: 3' - 6" x 3' - 6" x 10" THICK**
- **MINIMUM CONCRETE STRENGTH: 4500 PSI**
- **REINFORCEMENT: #5 REBAR @ 10" ON CENTER (O.C.)**  
(SEE SCOUT EXCEL SAW-RETRO FIT/NEW CONSTRUCTION FOR ANCHOR PLACEMENT)

**1. MASK THE BOTTOM HOLE OF THE ANCHOR SLEEVE TO PREVENT CONCRETE FROM SEEPING IN.**

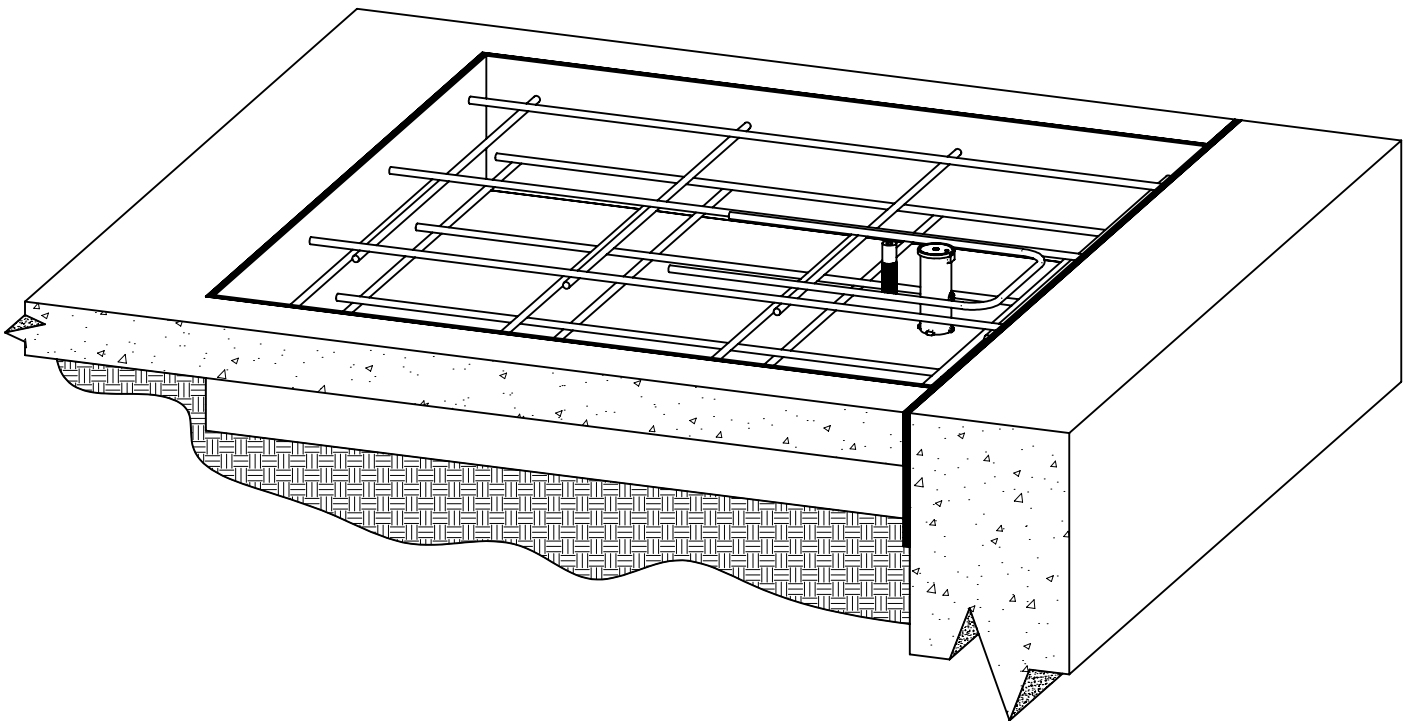
**2. INSTALL REBAR IN THE SECTION OF THE DECK THAT WILL BE THICKENED TO 10". SEE SAW-CUT RETRO-FIT/NEW CONSTRUCTION FOR YOUR SPECIFIC LIFT.**

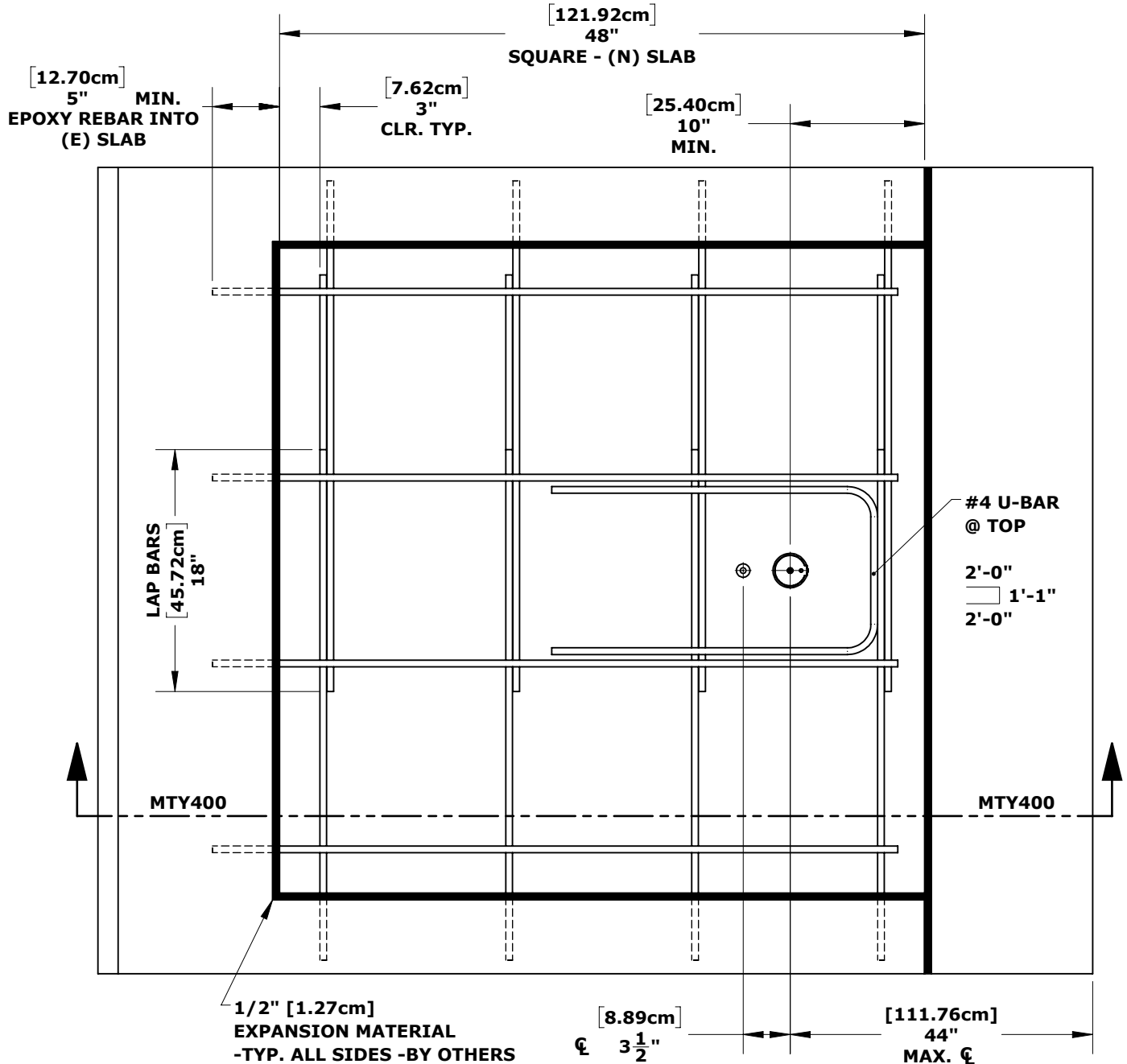
**3. SET THE BRONZE ANCHOR SLEEVE IN PLACE. MAKE SURE THE CENTER OF THE ANCHOR SLEEVE IS NO MORE THAN 44" FROM THE POOL'S EDGE. SET THE FIXING ANCHOR INSERT 3 1/2" FROM THE CENTER OF THE ANCHOR SLEEVE. FIXING ANCHOR MAY BE LOCATED ANYWHERE ON THE DECK, AS LONG AS IT IS 3 1/2" FROM THE CENTER OF THE ANCHOR SLEEVE.**

**4. BOND THE ANCHOR SLEEVE ACCORDING TO YOUR LOCAL CODE REQUIREMENTS BY USING THE BONDING LUG AND BONDING SCREW ON THE SIDE OF THE ANCHOR SLEEVE.**

**5. POUR YOUR CONCRETE AND FINISH THE POOL DECK SURFACE.**

**6. ONCE THE CONCRETE HAS CURED, YOUR LIFT IS READY TO BE MOUNTED INTO THE ANCHOR SLEEVE.**

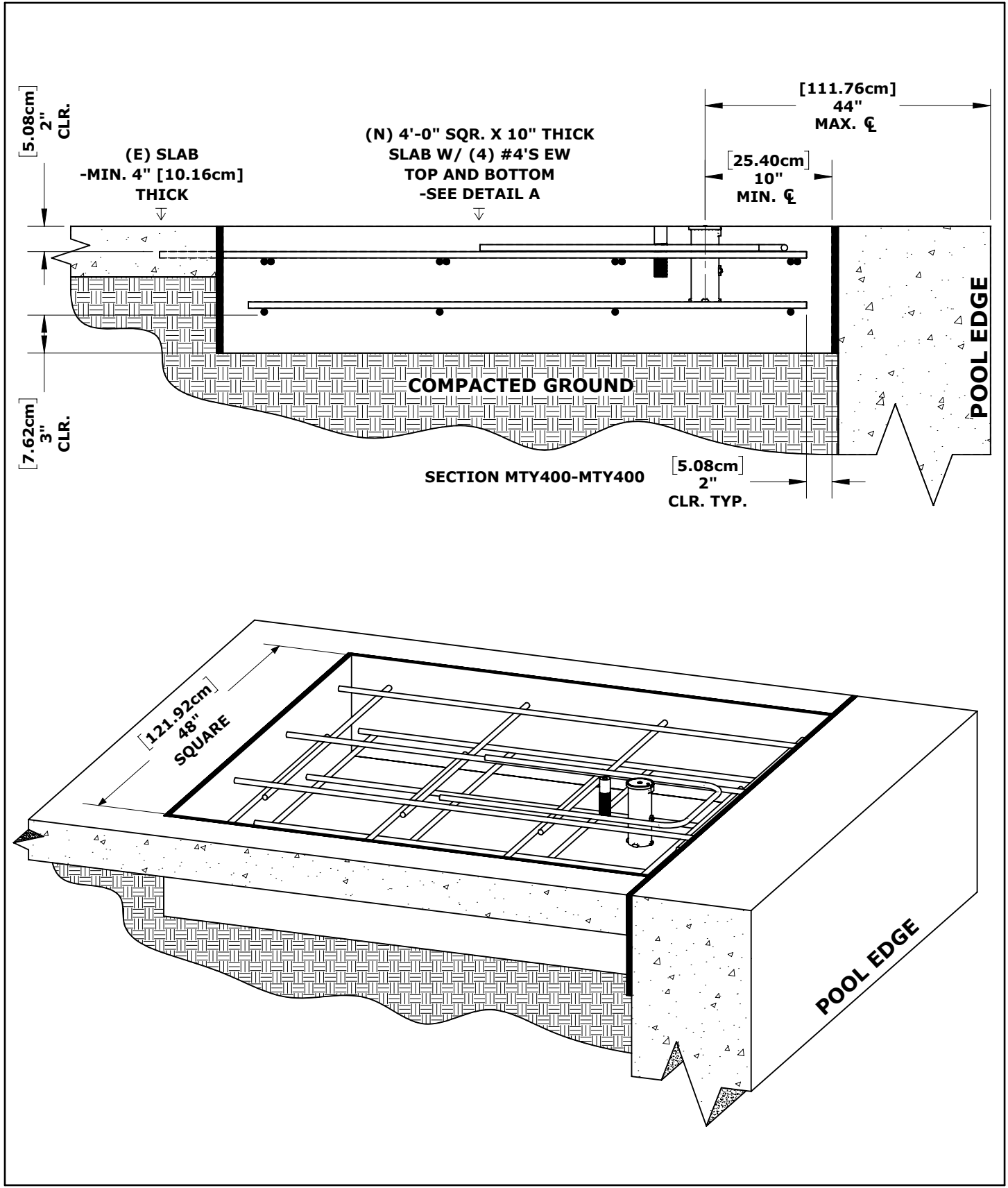


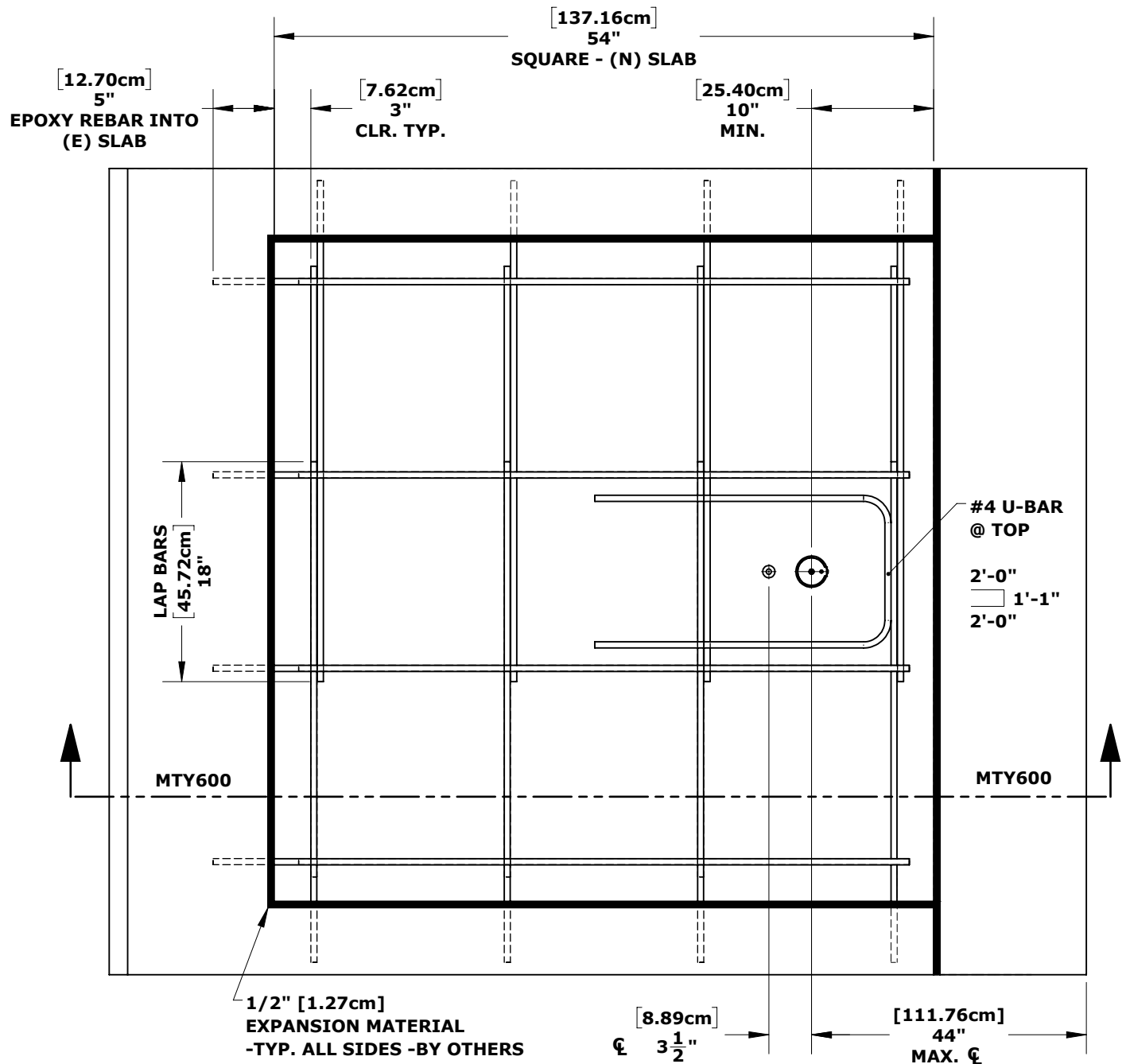


**NOTES:**

1. SIM FOR NEW CONSTRUCTION AND STAND ALONE SYSTEM.
2. MINIMUM CONCRETE STRENGTH OF 4500 PSI, w/c=0.45.
3. USE SIMPSON SET-XP, HILTI RE-500-SD, OR APPROVED ALTERNATIVE FOR EPOXY.

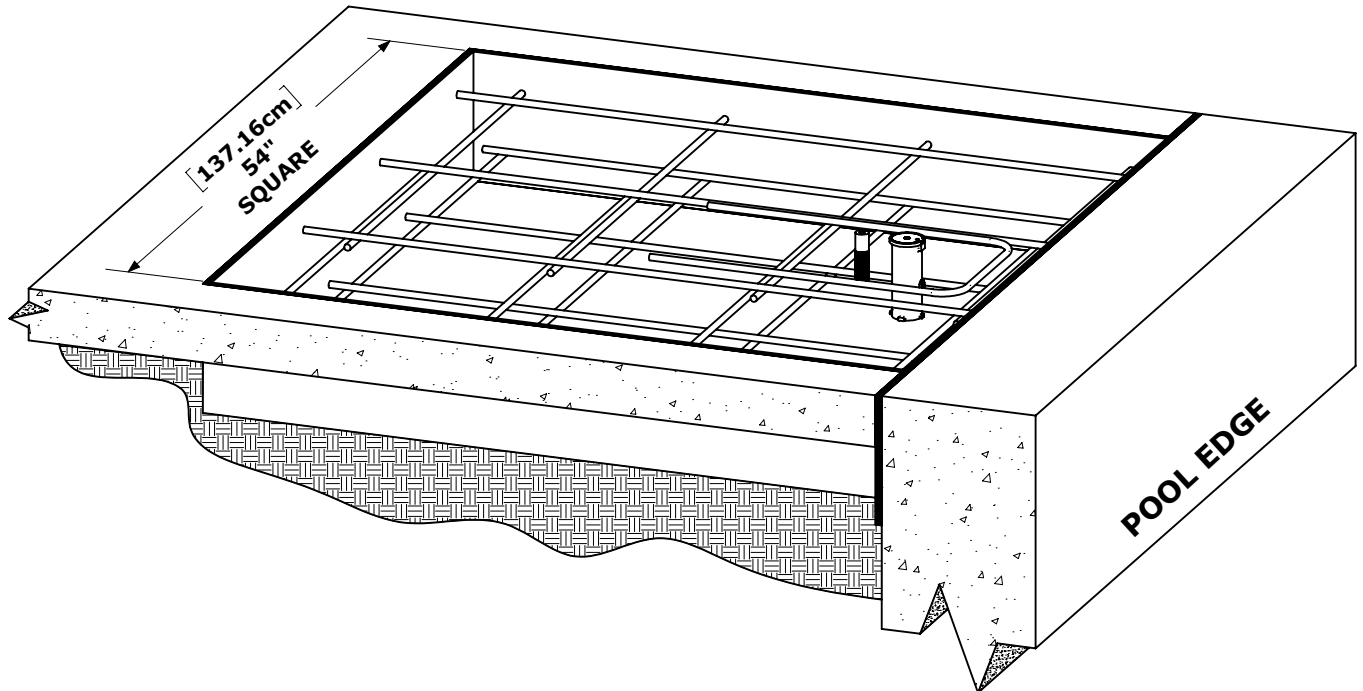
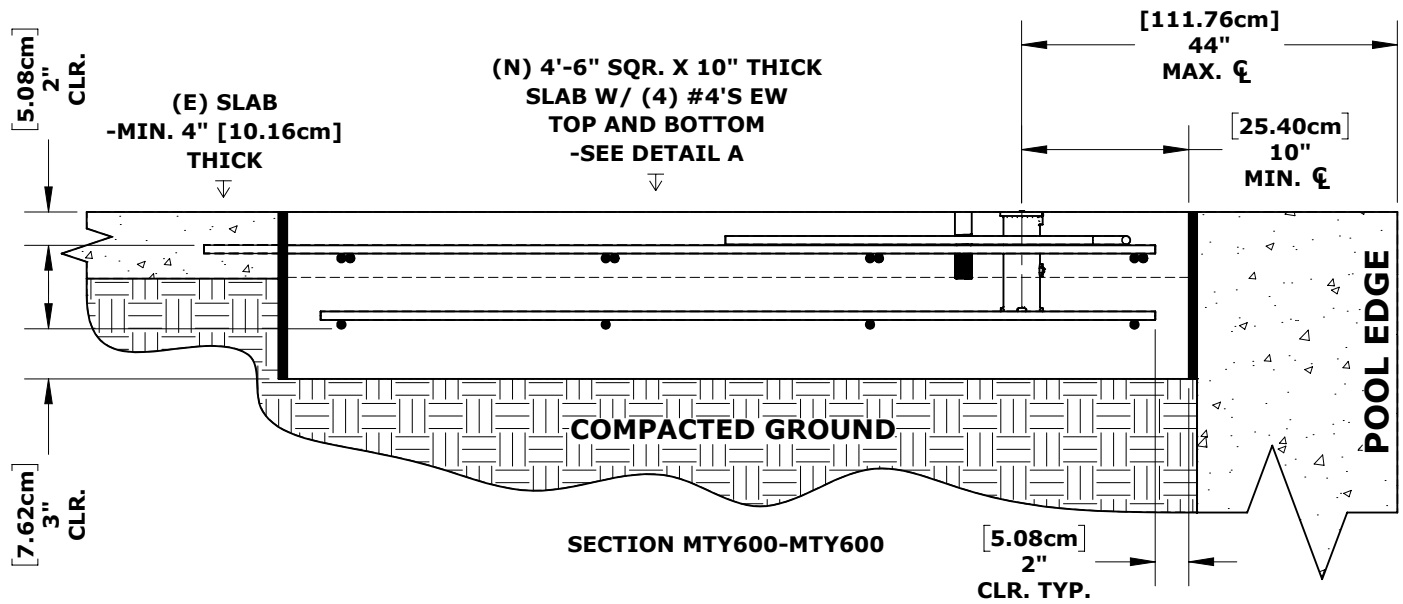


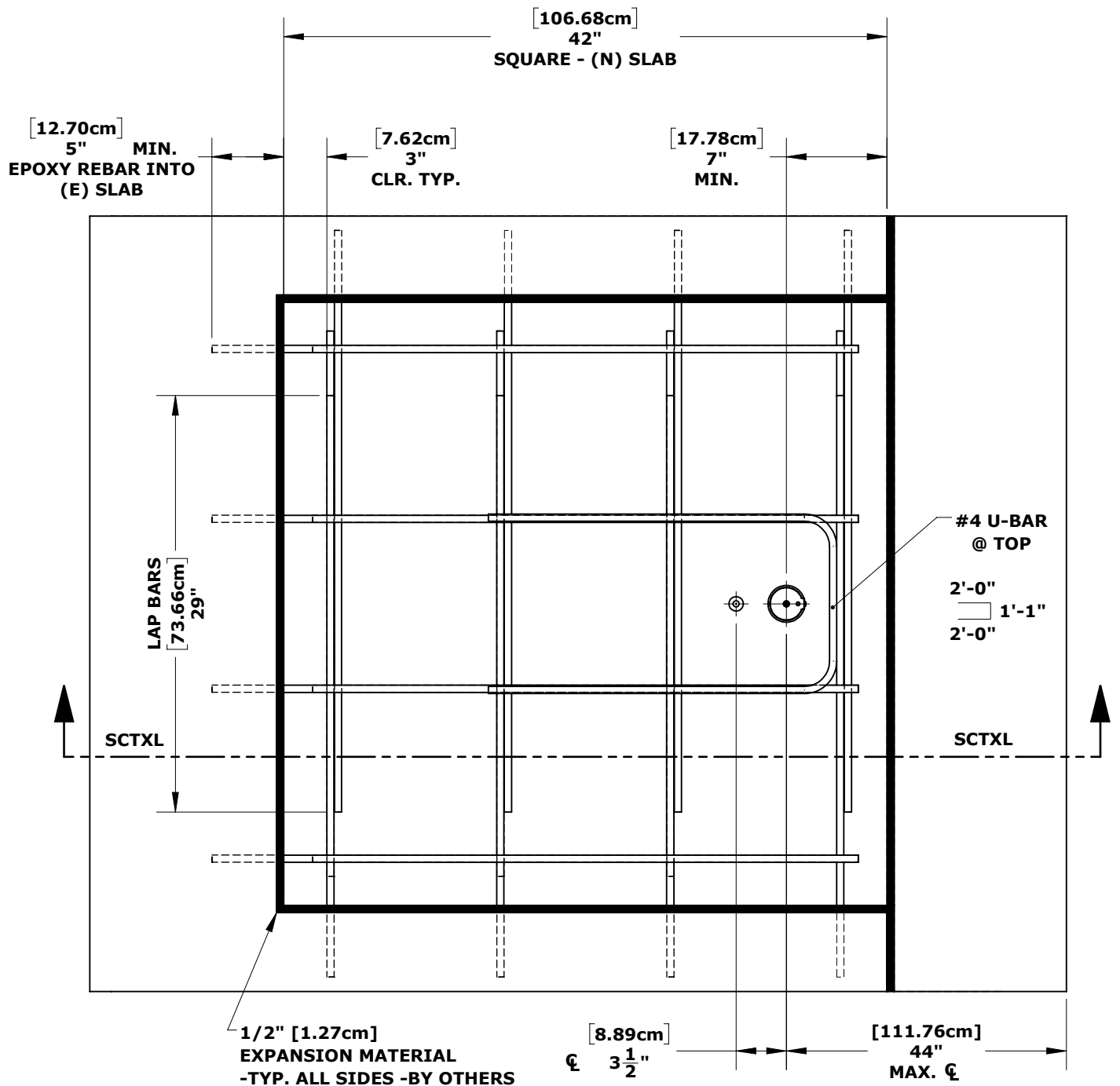




**NOTES:**

1. SIM FOR NEW CONSTRUCTION AND STAND ALONE SYSTEM.
2. MINIMUM CONCRETE STRENGTH OF 4500 PSI, w/c=0.45.
3. USE SIMPSON SET-XP, HILTI RE-500-SD, OR APPROVED ALTERNATIVE FOR EPOXY.





**NOTES:**

1. SIM FOR NEW CONSTRUCTION AND STAND ALONE SYSTEM.
2. MINIMUM CONCRETE STRENGTH OF 4500 PSI, w/c=0.45.
3. USE SIMPSON SET-XP, HILTI RE-500-SD, OR APPROVED ALTERNATIVE FOR EPOXY.

# SCOUT EXCEL

SAW-CUT RETRO FIT/NEW CONSTRUCTION  
CATALOG NO.

