

EZ ANCHOR - EXTENSION - 30.00"

F-031473EZ

MANDATORY

LEAVE THIS MANUAL WITH OWNER

Read and follow all instructions. Lift safety can only be ensured if the lift is installed and operated according to these instructions.

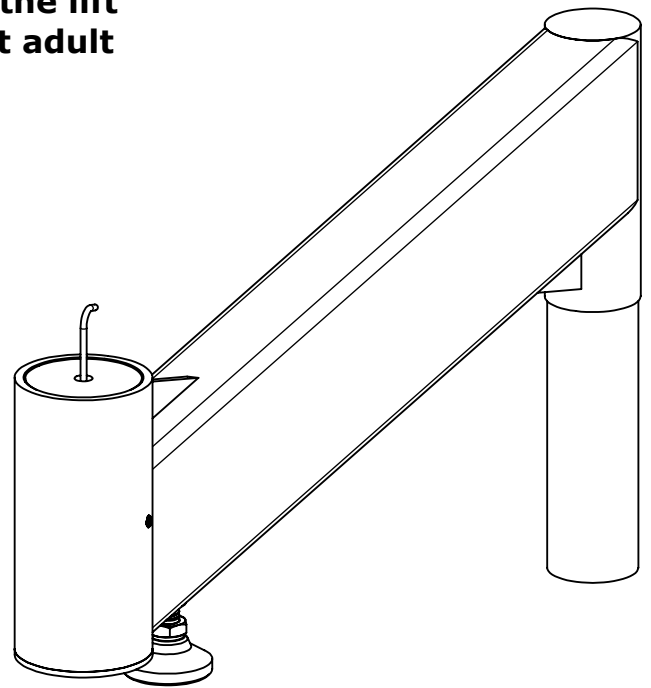
- **FOR SAFETY REASONS**
- **NEVER** swim alone
- **NEVER** use the lift with a dry pool
- **NEVER** apply direct water pressure to the electronics
- **NEVER** permit children to play on or around the lift
- **DO NOT** allow children to use the lift without adult supervision

READ CAREFULLY

Check entire box and all packing materials for parts. Before beginning assembly, read the instructions and identify parts using the figures and parts listed in this document.

It is critical that all parts be carefully inspected prior to installation. If any damage occurred in transit, Aqua Creek Products, LLC must be notified within three days of receipt of unit.

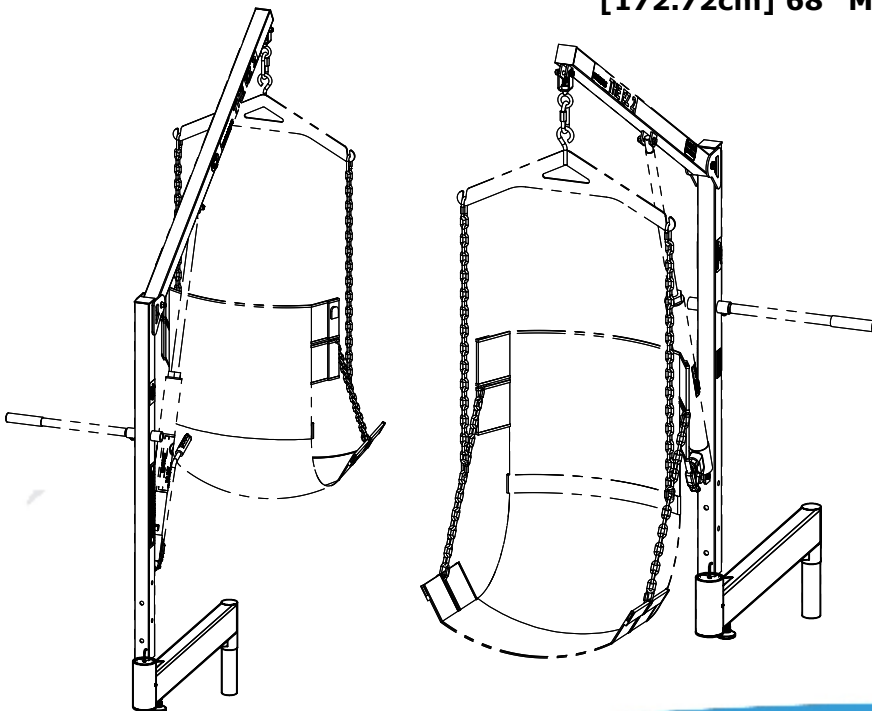
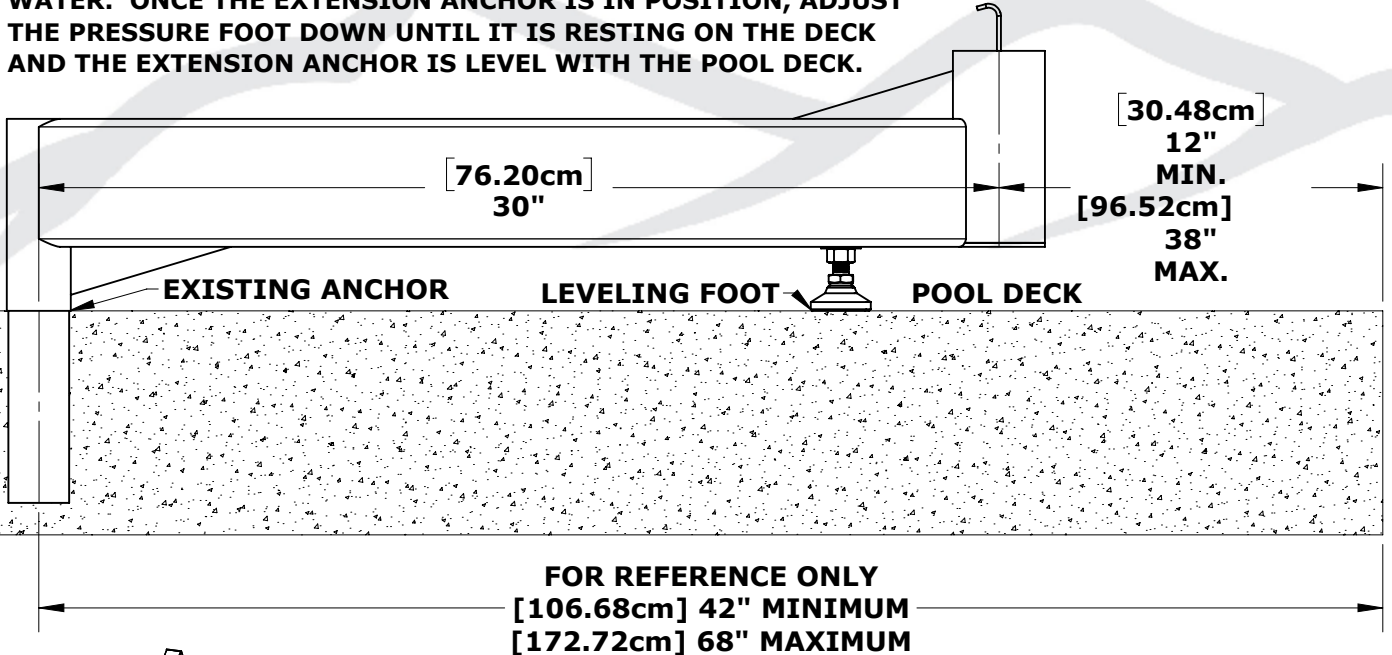
Proper installation cannot be overstressed, as an improper installation voids Aqua Creek's warranty and may affect the safety of the user.



EZ ANCHOR - EXTENSION - 30.00"

F-031473EZ

INSERT THE EZ EXTENSION ANCHOR INTO THE EXISTING ANCHOR LOCATION ON THE POOL DECK. THE EXTENSION ANCHOR NEEDS TO BE RUNNING PERPENDICULAR, OR WITHIN TEN (10) DEGREES EITHER WAY, TO THE POOL WALL. THE CENTER OF THE LIFT END OF THE ANCHOR NEEDS TO BE BETWEEN 12" AND 38" FROM THE POOL WALL IN ORDER FOR THE LIFT TO CLEAR THE WALL AND PLACE THE OCCUPANT INTO THE WATER. ONCE THE EXTENSION ANCHOR IS IN POSITION, ADJUST THE PRESSURE FOOT DOWN UNTIL IT IS RESTING ON THE DECK AND THE EXTENSION ANCHOR IS LEVEL WITH THE POOL DECK.



INSERT THE EZ POOL LIFT INTO THE EZ EXTENSION ANCHOR. CONFIRM THE ANCHOR IS SETBACK 12" TO 38" FOR WALL CLEARANCE. THE EXTENSION ANCHOR IS DESIGNED FOR BEST USE WHEN SLING SEAT IS IN LINE WITH THE ANCHOR. BE SURE TO ALWAYS LOAD AND UNLOAD TO AND FROM THE SLING SEAT WHILE THE SLING IS IN LINE WITH THE EXTENSION ANCHOR. SEE DIAGRAM - LEFT