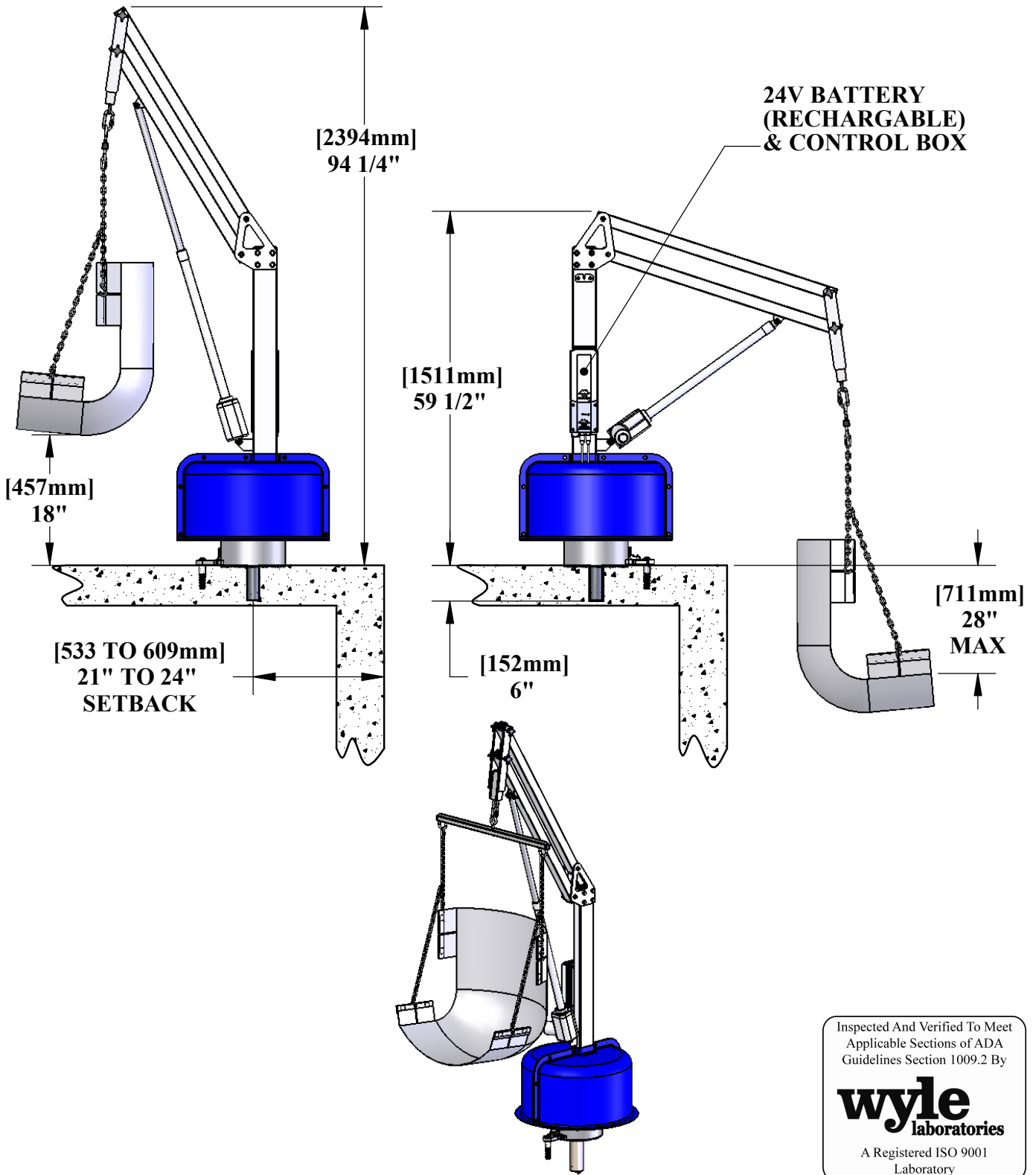


# REVOLUTION LIFT: SLING OPTION



Inspected And Verified To Meet  
Applicable Sections of ADA  
Guidelines Section 1009.2 By

**wyle**  
laboratories

A Registered ISO 9001  
Laboratory



9889 GARRY MORE LANE  
MISSOULA, MT 59808  
(406) 549-0769  
FAX (406) 549-2602

NOTE:  
\*SPECIFICATIONS ARE SUBJECT TO CHANGE WITHOUT NOTICE  
\*ALL DIMENSIONS ARE IN INCHES

PRODUCT:	F-706RLSS	
DWG #:	F-706RLSS-1	
SCALE:	1:24	DATE: 12/15/2016
DRAWN BY:	KR	REVISION: I

# REVOLUTION LIFT: SLING OPTION

## SPECIFICATIONS:

**LIFTING CAPACITY: 500lbs [227 kg]**

**MAXIMUM WATER DRAFT (DECK TO WATER): 10" [254mm]**

**MAXIMUM SETBACK: 24" [609mm]**

## **MATERIALS:**

**BASE: TYPE 304 STAINLESS STEEL, PVC, CONCRETE, RUBBER**

**MAST & ARMS: TYPE 304 STAINLESS STEEL**

**SLING: 100% POLYESTER MESH RATED FOR PATIENT LIFTING DEVICES**

**CHAINS: TYPE 304 STAINLESS STEEL**

**SAFETY BELT: HEAVY-DUTY POLYESTER STRAP**

**POWDER COATING: OFF-WHITE POLYESTER [PN: 1PC-108-1912 BX50]**

**FIXING ANCHOR-TAB: HIGH-DENSITY POLYETHYLENE**

**FIXING BOLT:  $\phi$  1/2"-13 X 2", 316 SS**

## **STANDARD EQUIPMENT:**

**SLING SEAT**

**QUICK TURN KNOBS**

**24V BATTERY & CHARGER**

**WATER RESISTANT HANDSET/REMOTE**



9889 GARRY MORE LANE  
MISSOULA, MT 59808  
(406) 549-0769  
FAX (406) 549-2602

NOTE:

\*SPECIFICATIONS ARE SUBJECT TO CHANGE WITHOUT NOTICE  
\*ALL DIMENSIONS ARE IN INCHES

PRODUCT:	F-706RLSS	
DWG #:	F-706RLSS-2	
SCALE:	1:1	DATE: 12/15/2016
DRAWN BY:	KR	REVISION: I