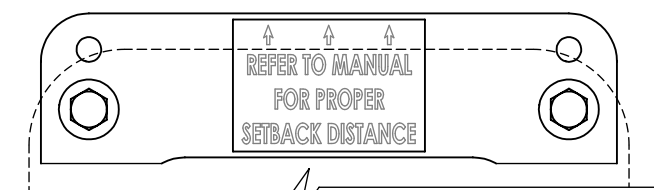
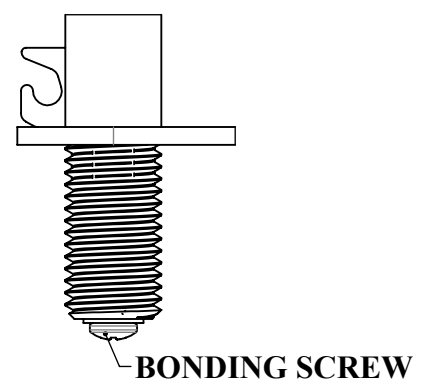
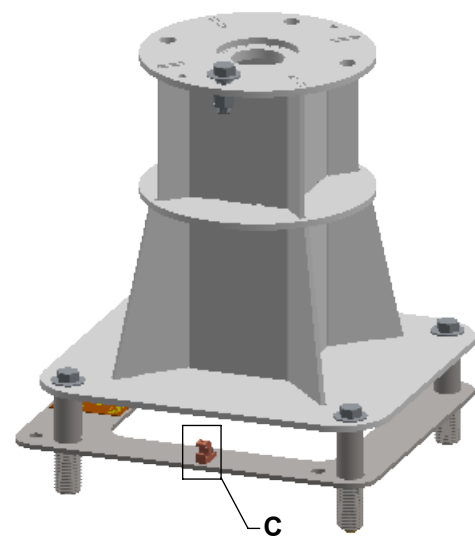


POOL/SPA WALL



DETAIL A

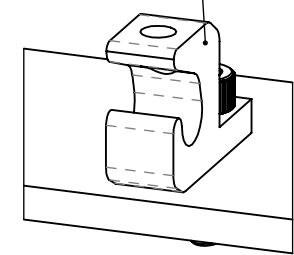
SCALE 1 : 4



DETAIL B

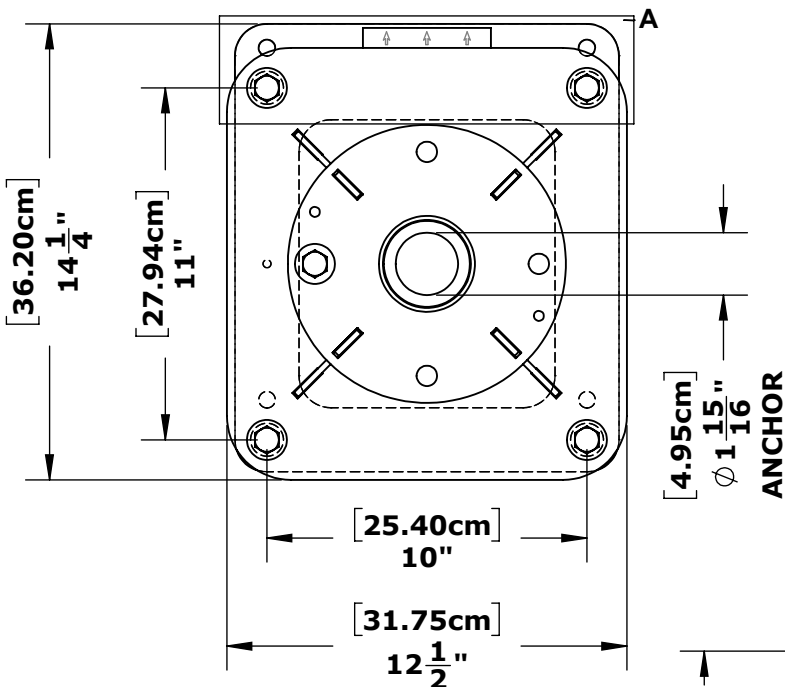
SCALE 1 : 2

DIRECT-BURIAL
GROUND LUG

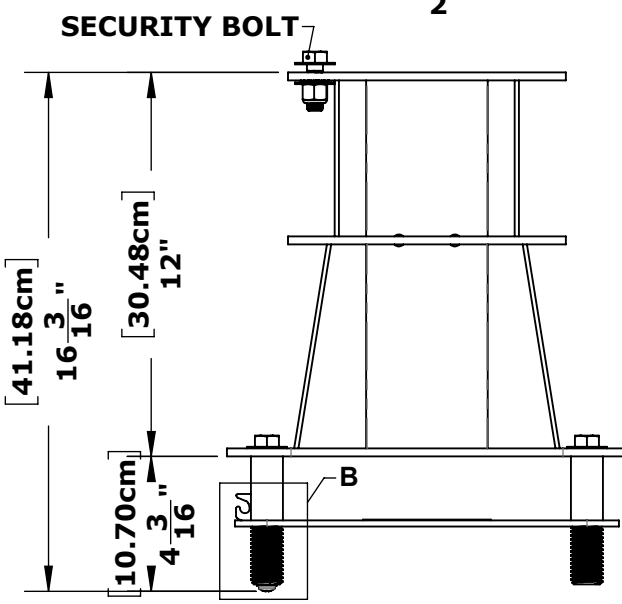


DETAIL C

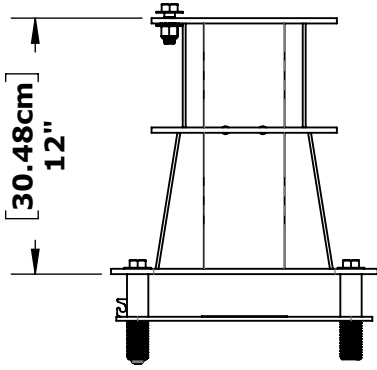
SCALE 1 : 1



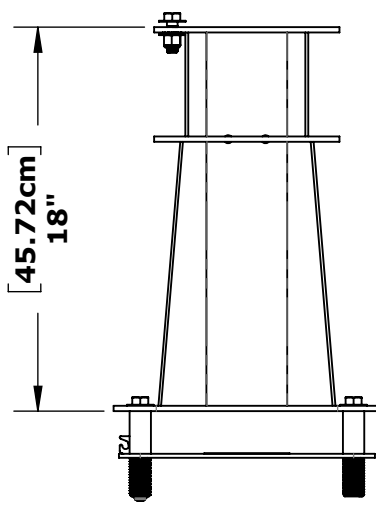
ANCHOR
Ø 1 15/16"



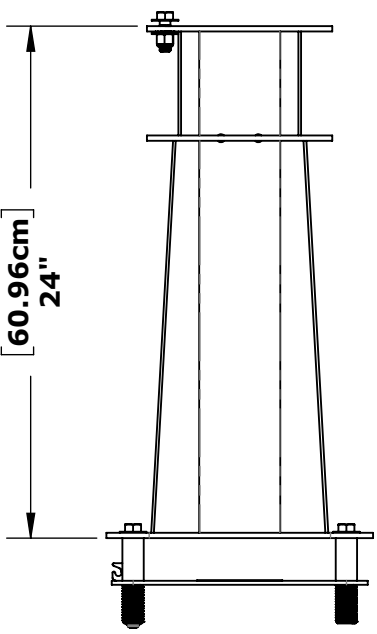
PEDESTAL - 12IN - SHALLOW
ITEM NO. F-MTY1PDS
APPROX. WEIGHT: 36.60



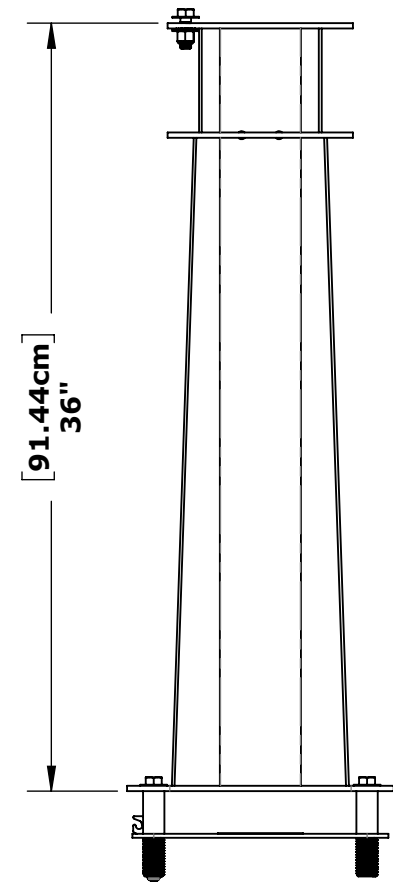
PEDESTAL - 18IN - SHALLOW
ITEM NO. F-MTYPD18S
APPROX. WEIGHT: 42.76



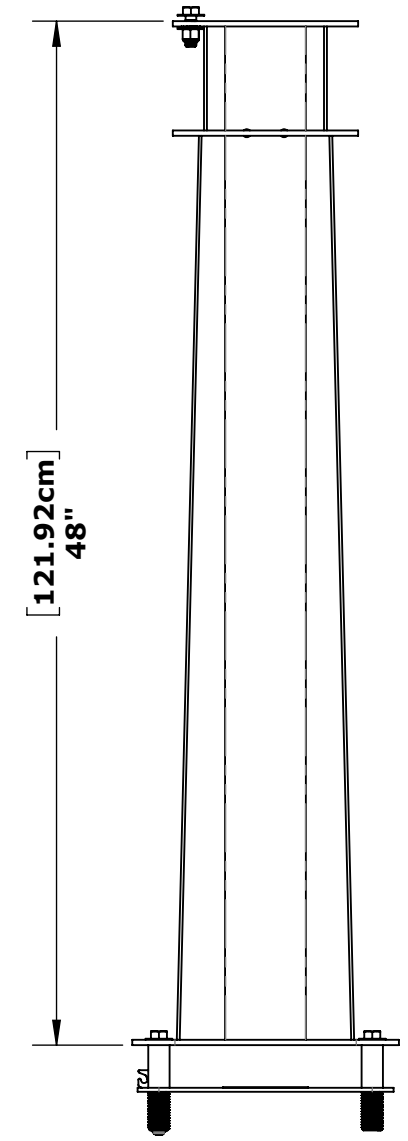
PEDESTAL - 24IN - SHALLOW
ITEM NO. F-MTY2PDS
APPROX. WEIGHT: 48.93



PEDESTAL - 36IN - SHALLOW
ITEM NO. F-MTY3PDS
APPROX. WEIGHT: 61.26



PEDESTAL - 48IN - SHALLOW
ITEM NO. F-MTY4PDS
APPROX. WEIGHT: 73.59



PEDESTALS FOR MIGHTY LIFTS
SHALLOW ANCHOR
PART NO. SEE DRAWING

MATERIAL: 304 STAINLESS STEEL
FINISH: POWDER COAT - WHITE
APPROX. WEIGHT: 36.60 LBS.



9889 GARRYMORE LANE
MISSOULA, MT 59808
(406) 549-0769
FAX (406) 549-2602
www.AquaCreek.com

PROPRIETY AND CONFIDENTIAL INFORMATION

THIS DRAWING AND ALL INFORMATION CONTAINED HEREIN IS THE SOLE PROPERTY OF AQUA CREEK PRODUCTS LLC. ANY REPRODUCTION IN PART OR AS A WHOLE WITHOUT WRITTEN PERMISSION FROM AQUA CREEK IS PROHIBITED.

*SPECIFICATIONS ARE SUBJECT TO CHANGE WITHOUT NOTICE

REVISIONS			
REV.	DESCRIPTION	DATE	APPROVED
P1	PRODUCTION RELEASE	3/22/2021	J.MAXWELL