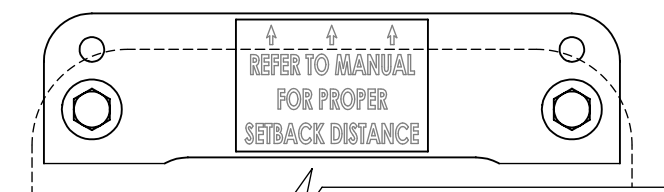
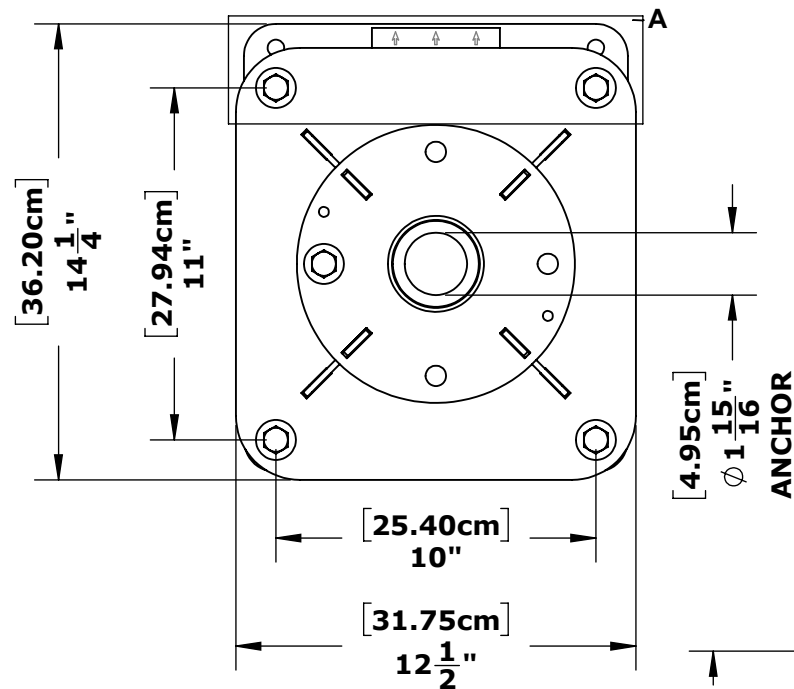


POOL/SPA WALL

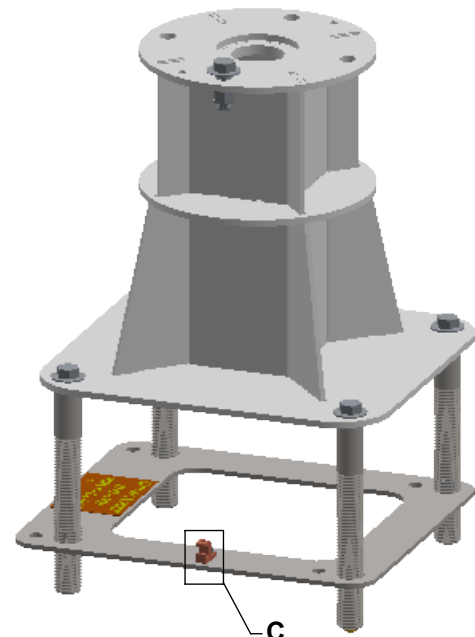


DETAIL A

SCALE 1 : 4

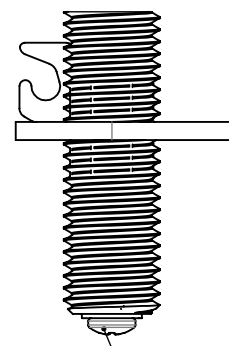


4.95cm
15/16"
ANCHOR



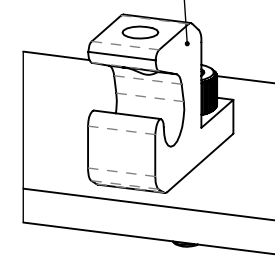
DETAIL B

SCALE 1 : 2



BONDING SCREW

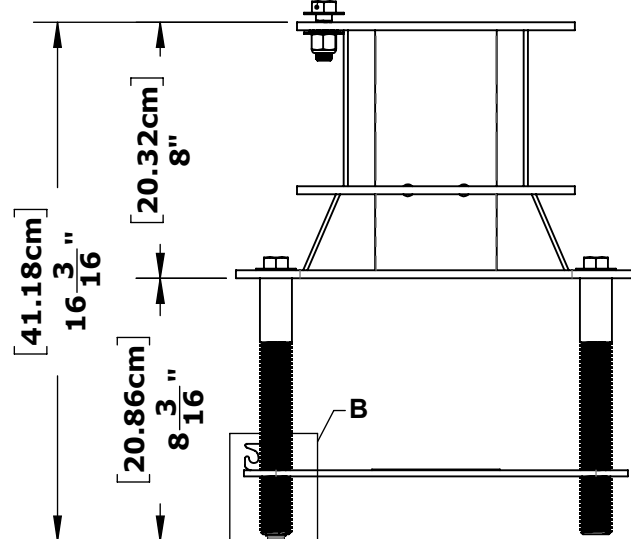
DIRECT-BURIAL
GROUND LUG



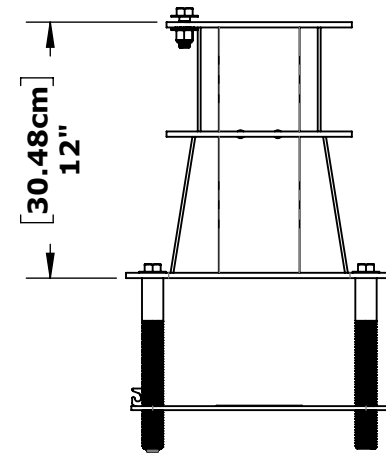
DETAIL C

SCALE 1 : 1

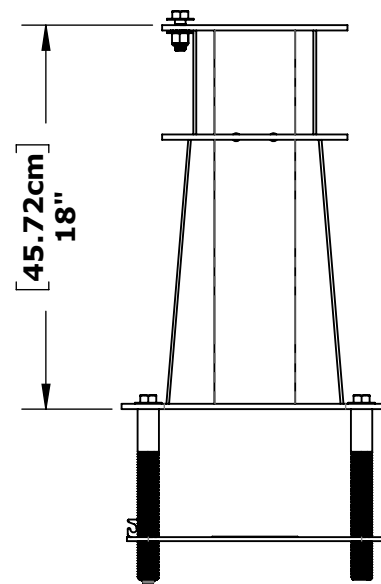
SECURITY BOLT



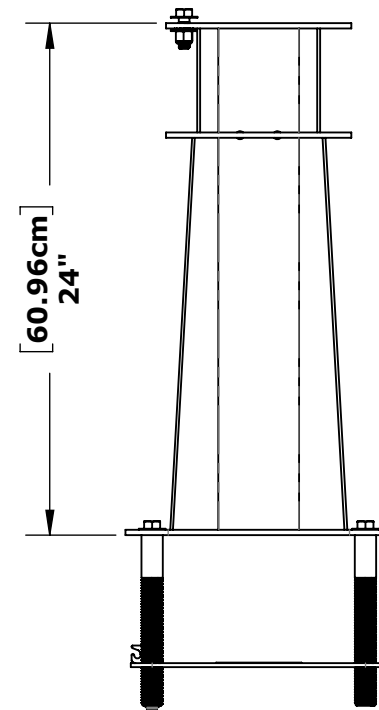
PEDESTAL - 12IN - DEEP
ITEM NO. F-MTY1PD
APPROX. WEIGHT: 32.88



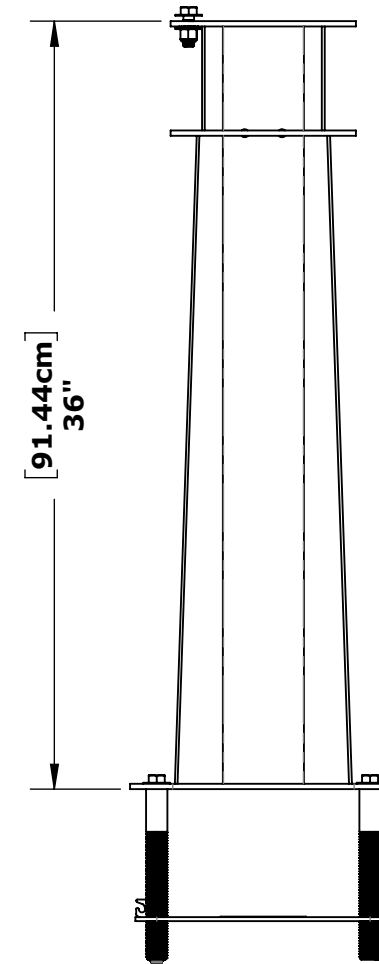
PEDESTAL - 12IN - DEEP
ITEM NO. F-MTY1PD
APPROX. WEIGHT: 36.99



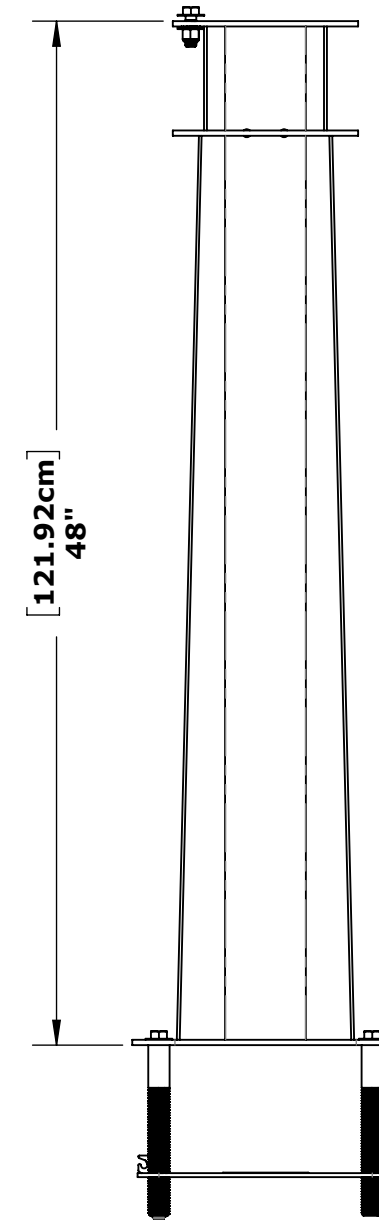
PEDESTAL - 18IN - DEEP
ITEM NO. F-MTYPD18
APPROX. WEIGHT: 43.15



PEDESTAL - 24IN - DEEP
ITEM NO. F-MTY2PD
APPROX. WEIGHT: 49.32



PEDESTAL - 36IN - DEEP
ITEM NO. F-MTY3PD
APPROX. WEIGHT: 61.65



PEDESTAL - 48IN - DEEP
ITEM NO. F-MTY4PD
APPROX. WEIGHT: 73.98

PEDESTALS FOR MIGHTY LIFTS

**DEEP ANCHOR
PART NO. SEE DRAWING**

MATERIAL: 304 STAINLESS STEEL
FINISH: POWDER COAT - WHITE
APPROX. WEIGHT: 36.99 LBS.



9889 GARRYMORE LANE
MISSOULA, MT 59808
(406) 549-0769
FAX (406) 549-2602
www.AquaCreek.com

PROPRIETY AND CONFIDENTIAL INFORMATION

THIS DRAWING AND ALL INFORMATION CONTAINED HEREIN IS THE SOLE PROPERTY OF AQUA CREEK PRODUCTS LLC. ANY REPRODUCTION IN PART OR AS A WHOLE WITHOUT WRITTEN PERMISSION FROM AQUA CREEK IS PROHIBITED.

*SPECIFICATIONS ARE SUBJECT TO CHANGE WITHOUT NOTICE

REVISIONS			
REV.	DESCRIPTION	DATE	APPROVED
P1	PRODUCTION RELEASE	3/22/2021	J.MAXWELL