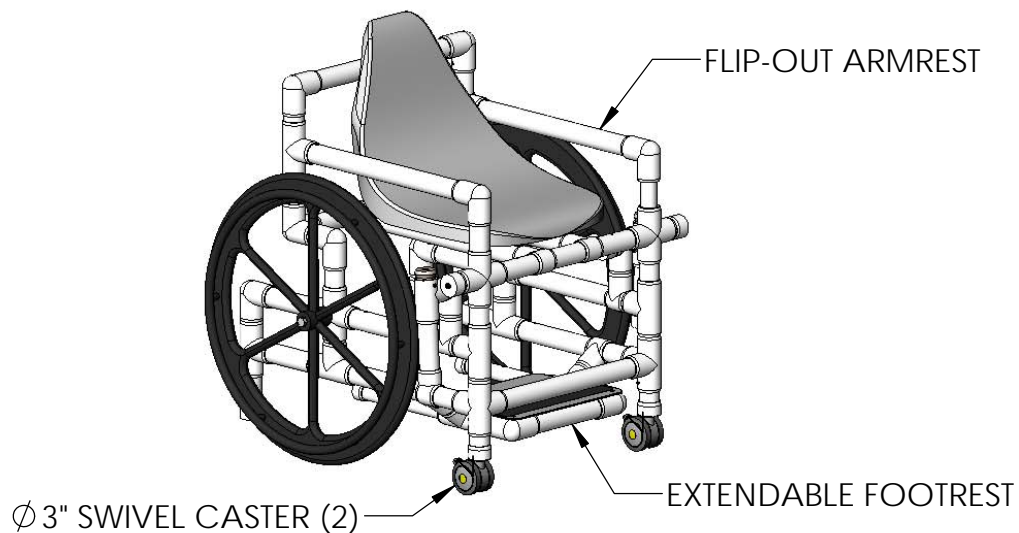
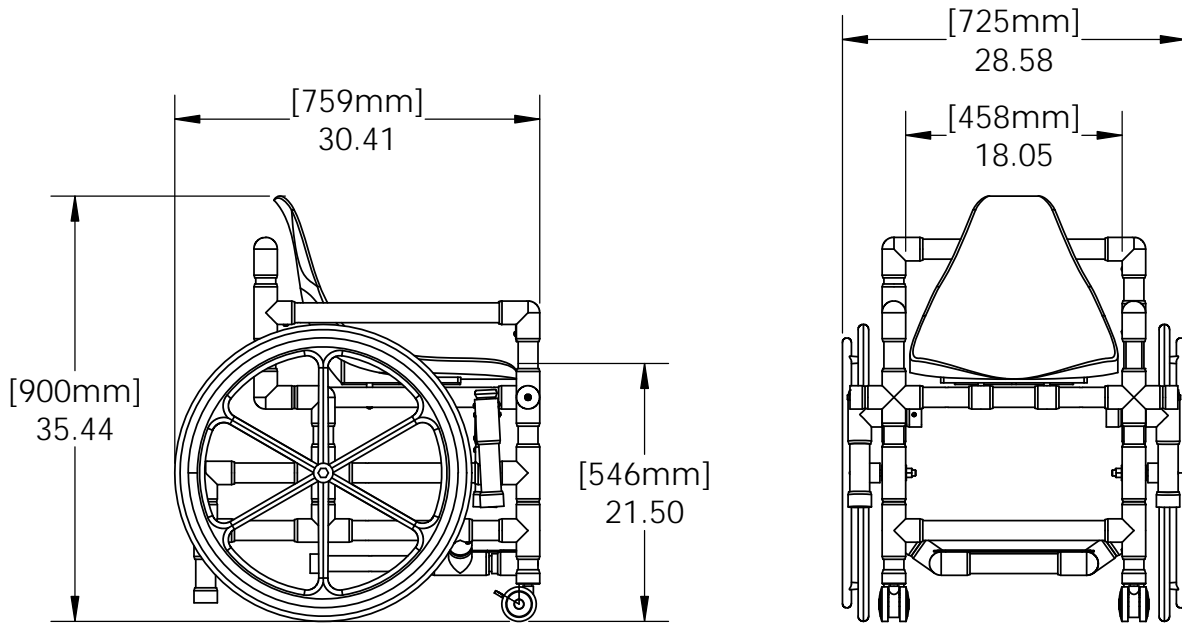


# PVC POOL ACCESS CHAIR



## SPECIFICATIONS

THE POOL ACCESS CHAIR PVC FRAME SHALL BE CONSTRUCTED OF HEALTH GRADE PVC PIPE AND FITTINGS THAT WON'T RUST OR STAIN. IT SHALL BE RATED FOR 300 LBS [136kg]. THE CHAIR SHALL COME EQUIPPED WITH AN EXTENDABLE FOOTREST. THE STANDARD SEAT SHALL BE 18" WIDE AND CONSTRUCTED OF PLASTIC. THE CHAIR SHALL COME EQUIPPED WITH DUAL LOCKING BRAKES. THE CHAIR SHALL BE EQUIPPED WITH A FLIP-OUT ARMREST TO ALLOW FOR EASY TRANSFERS. THE REAR WHEELS SHALL BE A GRAY NON-SKID STYLE WHEEL WITH USER GRIP. THE FRONT CASTERS SHALL BE A 3" RUBBER WHEEL WITH STAINLESS STEEL SWIVEL.



9889 GARRYMORE LANE  
 MISSOULA, MT 59808  
 (406) 549-0769  
 FAX (406) 549-2602

NOTE:  
 \*SPECIFICATIONS ARE SUBJECT TO CHANGE WITHOUT NOTICE

PRODUCT: <b>POOL ACCESS CHAIR</b>	
PART#: <b>F-520SPPS</b>	
SCALE: <b>1:16</b>	DATE: <b>4/12/2017</b>
DRAWN BY: <b>EF</b>	REVISION: <b>A</b>