



INSTALLATION & OPERATION MANUAL

MODEL: ANCHOR - WOOD DECK 1.90"X6.00" (NPTN, NBLA)

CATALOG #: F-AWDSPA

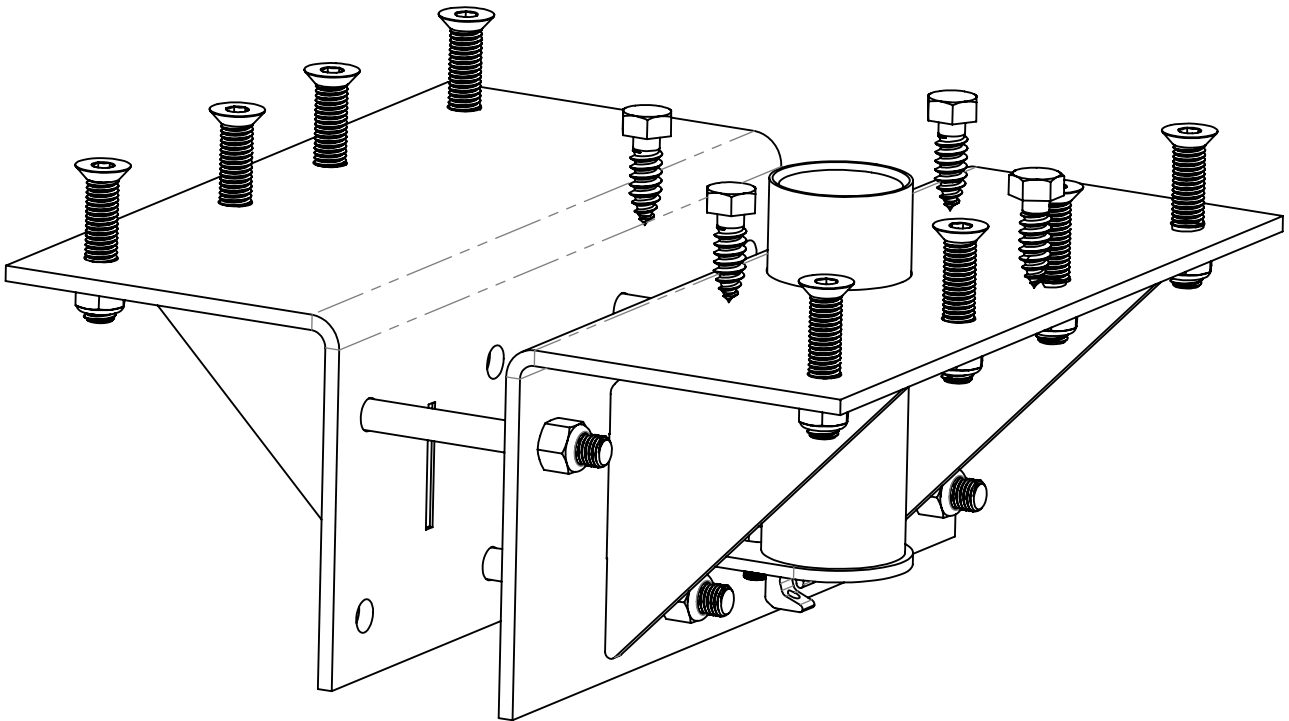




TABLE OF CONTENTS

COVER SHEET.....	1
SAFETY INFORMATION.....	3
ADA REQUIREMENTS FOR POOL LIFTS (US ONLY).....	4
PRODUCT COMPONENTS/REPLACEMENT PARTS.....	5
PRODUCT INSTALLATION (CORE DRILL).....	6
PRODUCT INSTALLATION (SECTION VIEWS).....	7



IMPORTANT SAFETY INFORMATION



When installing this product, basic safety precautions should always be followed, including the following:

READ ALL INSTRUCTIONS BEFORE USING

WARNING - To reduce the risk of injury, do not permit children to use this product unless they are closely supervised at all times.

This appliance is not intended for use by persons (including children) with reduced physical, sensory or mental capabilities, or lack of experience and knowledge, unless they have been given supervision or instruction concerning the use of the appliance by a person responsible for their safety.

A wire connector is provided on this appliance to connect a minimum 8AWG (8.4mm²) solid copper conductor between this unit and the means of equipotential bonding.

Check appliance periodically for signs of deterioration: Keep all nuts, bolts and screws tight to be sure the lift is in safe working condition.

SAVE THESE INSTRUCTIONS

Affix the supplied "ADA POOL/SPA LIFT" sign in a location visible from the appliance at all times.

Rechargeable batteries are to be removed from the appliance before being charged. Batteries are to be installed with the correct polarity. If the appliance is to be stored unused for a long period of time, the batteries should be removed and stored on the wall mounted charger to maintain the battery charge. The supply terminals are NOT to be short-circuited.

REDUCE THE RISK OF DROWNING

- Never swim alone.
- Never use the appliance to enter an empty pool.
- Never apply direct water pressure to the electronics.
- Never permit children to play on or around this appliance.
- Supervise children at all times.

DO NOT jump or dive from this appliance.

Seat may be hot, use caution when entering.

Keep appliance covered when not in use. Inspect and clean before use.

READ CAREFULLY

Check the entire box and all packing materials for parts. Before beginning assembly, read the instructions and identify parts using the figures and parts listed in this document. It is critical that all parts be carefully inspected prior to installation. If any damage occurred in transit, Aqua Creek Products LLC must be notified within three (3) days of receipt. Proper installation cannot be over-stressed, as an improper installation will void Aqua Creek's warranty and may affect the safety of the user.

ADA REQUIREMENTS FOR POOL LIFTS* (US ONLY)

1009.2.1 Pool Lift Location

Pool lift shall be located where the water level does not exceed 48". If entire pool water level exceeds 48", place pool lift where convenient.

1009.2.2 Seat Location

In the raised position, the centerline of the seat shall be located over the deck a minimum of 16" from the edge of the pool.

1009.2.3 Clear Deck Space

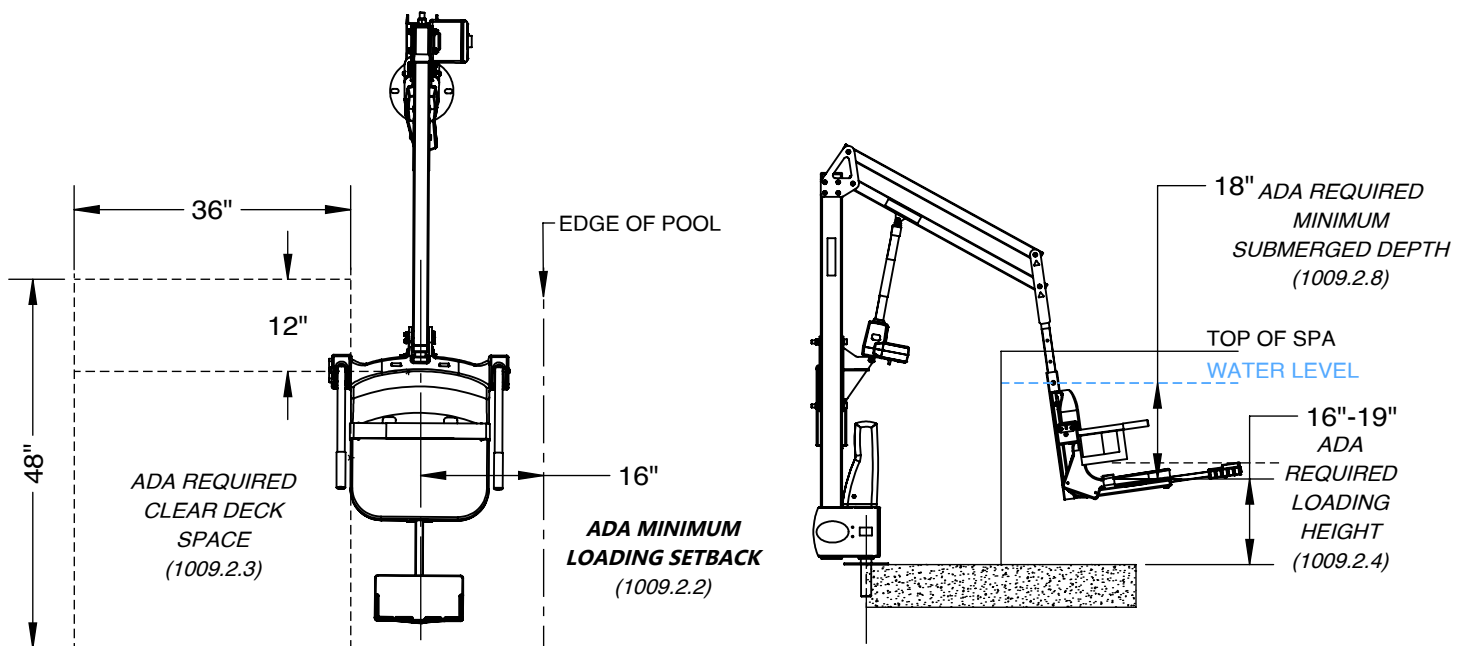
On the side of the seat opposite the water; a clear deck space shall be provided parallel with the seat. The space shall be 36" wide minimum and shall extend forward 48" minimum from a line located 12" behind the rear edge of the seat.

1009.2.4 Seat Height

The lift shall stop at 16" - 19" measured from the deck to the top of the seat surface when in the loading position.

1009.2.8 Submerged Depth

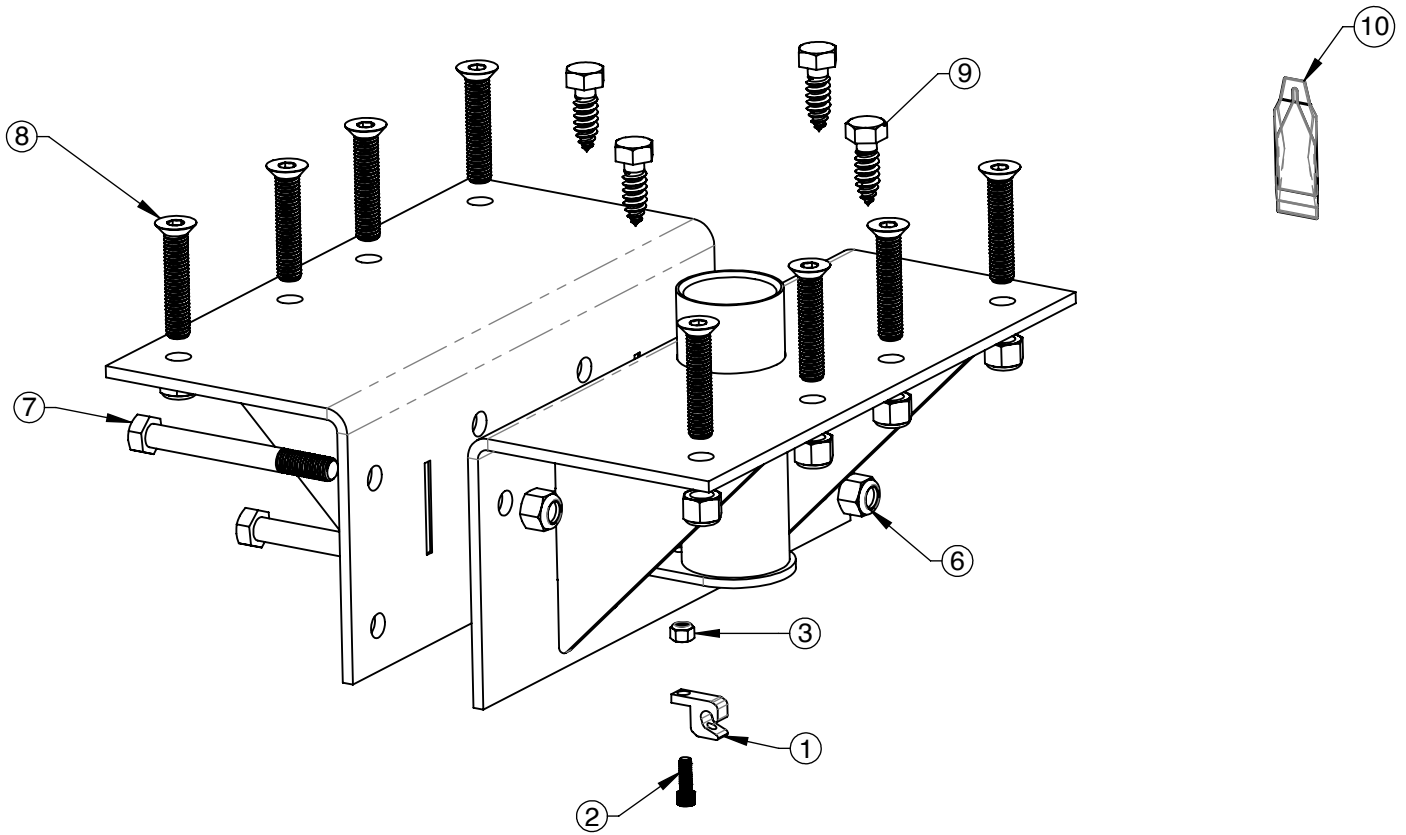
The lift shall submerge the seat a minimum of 18" below the stationary water level



*Compliance with ADA is the responsibility of the pool owner. Visit www.ada.gov for complete guidelines.

PRODUCT COMPONENTS

ANCHOR - WOOD DECK 1.90"X6.00" (NPTN, NBLA) - INV03575				
ITEM	PART NO.	QTY.	REV.	DESCRIPTION
1	INV00608	1	-	ANCHOR - BONDING LUG
2	INV02607	1	-	BSH - 1/4"-28X3/4" SOCKET HEAD BOLT
3	INV00735	1	-	NN - 1/4"-20 NYLOCK NUT
4	INV03025	1	1	WELDMENT - WOOD DECK ANCHOR JOIST PLATE W/HOLES
5	INV03026	1	1	WELDMENT - WOOD DECK ANCHOR JOIST
6	INV00733	12	-	NN - 1/2"-13 NYLOCK NUT
7	INV00394	4	-	BH - 1/2"-13X4" HEX HEAD BOLT
8	INV03028	8	-	BC - 1/2"-13X2 1/2" FLAT HEAD COUNTERSINK
9	INV03029	4	-	BL - 1/2"-13X1 1/2" HEX HEAD LAG BOLT
10	INV00303	1	-	ANTI-SEIZE - PACKET - 5 GRAMS



PRODUCT INSTALLATION

REFER TO THE LIFT OWNER'S MANUAL FOR SETBACKS TO DETERMINE SUITABLE LOCATION FOR ANCHOR PLACEMENT.

1. Select Location:

- Identify a location with at least two (2) 2x8 joists (girders/sisters).
Note: If no girder is present, one must be installed prior to proceeding.

2. Drill Main Anchor Hole:

- Hold the bracket with the 2 1/2" anchor flush against the underside of the deck and joist.
- Mark the center for the 2 1/2" anchor hole.
- Drill a 2 1/4" to 2 1/2" hole in the deck for the main anchor assembly.

3. Drill Additional Holes:

- With the anchor bracket in place, mark and drill four (4) 9/16" holes through the girder/two (2) 2x8 joists.
- Mark and drill four (4) 9/16" holes through the deck surface.

4. Attach Opposite Bracket:

- Position the opposite bracket (ie. without the 2 1/2" anchor sleeve) flush against the underside of the deck.
- Align it with the four (4) drilled 9/16" holes.

5. Secure Brackets:

- Insert four (4) BH - 1/2"-13X4" hex head bolts through both brackets and joists.
- Apply a small dab of anti-seize to each bolt thread.
- Secure with four (4) NN - 1/2"-13 nylock nuts.

6. Drill Deck Surface Holes:

- On the non-anchor sleeve bracket, mark and drill four (4) additional 9/16" holes through the deck surface.

7. Countersink Holes:

- Use a 9/16" countersink drill bit to remove any blowouts and create a countersink finish for all eight (8) 9/16" holes on the deck surface.

8. Insert and Secure Screws:

- From the top of the deck, insert eight (8) BC - 1/2"-13X2 1/2" flat head countersink screws.
- Apply a small dab (5 grams) of anti-seize to each screw thread.
- Secure with eight (8) NN - 1/2"-13 nylock nuts.

9. Ground the Anchor Kit:

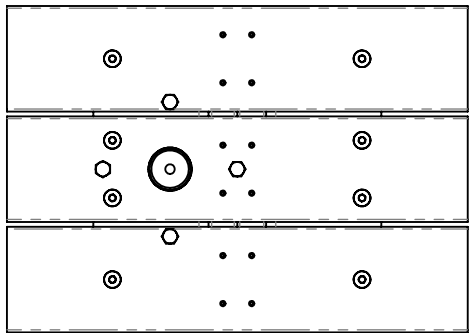
- Ground the newly installed wood deck anchor kit with the supplied bonding lug, located under the 2 1/2" anchor sleeve, in compliance with applicable building code regulations.

10. Insert the Lift:

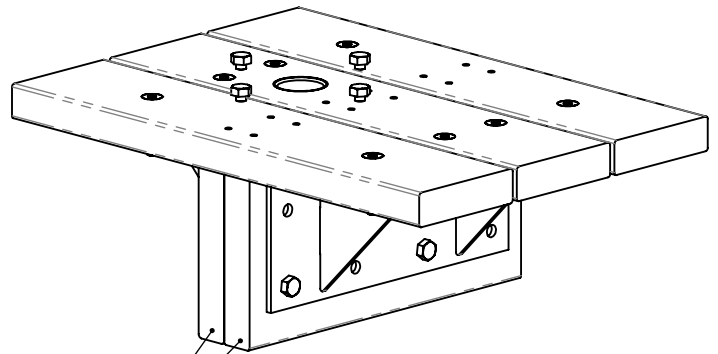
- After installing the anchor bracket, insert the lift completely. Once the lift is fully in place, secure it by fastening the four lag bolts through the lift spindle and into the deck.
- **Note: The owner shall bear full responsibility for the adequate stability of the wood deck's structure and design.**

PRODUCT ASSEMBLY

REFER TO THE LIFT OWNER'S MANUAL FOR SETBACKS TO DETERMINE SUITABLE LOCATION FOR ANCHOR PLACEMENT.

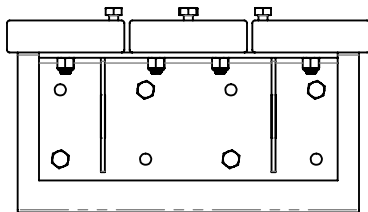


TOP VIEW
(DECK)

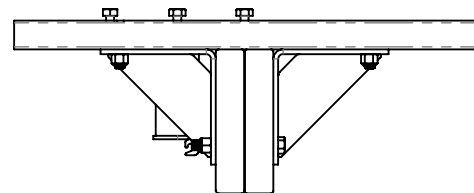


**TWO (2) 2X8 JOISTS/GIRDER
MIN. REQUIRED**

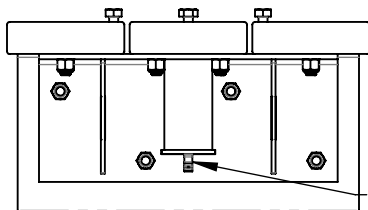
ISO VIEW
DECK & ANCHOR KIT
INSTALLED



RIGHT VIEW
(DECK & BRACKET)



FRONT VIEW
(DECK & ANCHOR
BRACKETS)



BONDING LUG

LEFT VIEW
(DECK & ANCHOR
BRACKET)