



INSTALLATION & OPERATION MANUAL

MODEL: ANCHOR KIT - 1.90" X 10.00" - PAVER APPS (NPTN, NBLA)
CATALOG #: F-APVSPA

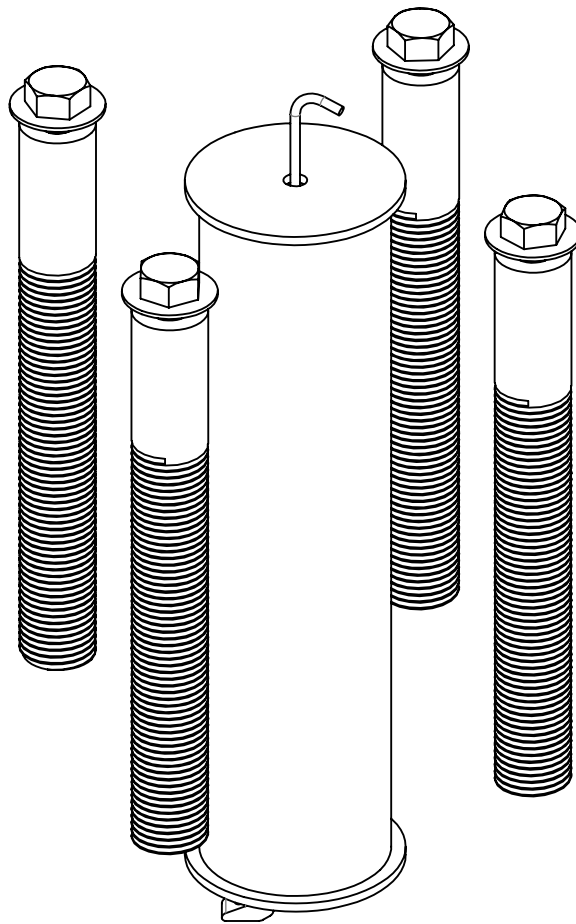




TABLE OF CONTENTS

COVER SHEET.....	1
SAFETY INFORMATION.....	3
ADA REQUIREMENTS FOR POOL LIFTS (US ONLY).....	4
PRODUCT COMPONENTS/REPLACEMENT PARTS.....	5
PRODUCT INSTALLATION (CORE DRILL).....	6
PRODUCT INSTALLATION (SECTION VIEWS).....	7
PRODUCT INSTALLATION (RETRO-FIT/ NEW CONSTRUCTION).....	8
NEW/RETRO FIT SLAB SPECIFICATIONS - NEPTUNE.....	9
NEW/RETRO FIT SLAB SPECIFICATIONS - NEBULA.....	11



IMPORTANT SAFETY INFORMATION



When installing this product, basic safety precautions should always be followed, including the following:

READ ALL INSTRUCTIONS BEFORE USING

WARNING - To reduce the risk of injury, do not permit children to use this product unless they are closely supervised at all times.

This appliance is not intended for use by persons (including children) with reduced physical, sensory or mental capabilities, or lack of experience and knowledge, unless they have been given supervision or instruction concerning the use of the appliance by a person responsible for their safety.

A wire connector is provided on this appliance to connect a minimum 8AWG (8.4mm²) solid copper conductor between this unit and the means of equipotential bonding.

Check appliance periodically for signs of deterioration: Keep all nuts, bolts and screws tight to be sure the lift is in safe working condition.

SAVE THESE INSTRUCTIONS

Affix the supplied "ADA POOL/SPA LIFT" sign in a location visible from the appliance at all times.

Rechargeable batteries are to be removed from the appliance before being charged. Batteries are to be installed with the correct polarity. If the appliance is to be stored unused for a long period of time, the batteries should be removed and stored on the wall mounted charger to maintain the battery charge. The supply terminals are NOT to be short-circuited.

REDUCE THE RISK OF DROWNING

- Never swim alone.
- Never use the appliance to enter an empty pool.
- Never apply direct water pressure to the electronics.
- Never permit children to play on or around this appliance.
- Supervise children at all times.

DO NOT jump or dive from this appliance.

Seat may be hot, use caution when entering.

Keep appliance covered when not in use. Inspect and clean before use.

READ CAREFULLY

Check the entire box and all packing materials for parts. Before beginning assembly, read the instructions and identify parts using the figures and parts listed in this document. It is critical that all parts be carefully inspected prior to installation. If any damage occurred in transit, Aqua Creek Products LLC must be notified within three (3) days of receipt. Proper installation cannot be over-stressed, as an improper installation will void Aqua Creek's warranty and may affect the safety of the user.



ADA REQUIREMENTS FOR POOL LIFTS* (US ONLY)

1009.2.1 Pool Lift Location

Pool lift shall be located where the water level does not exceed 48". If entire pool water level exceeds 48", place pool lift where convenient.

1009.2.2 Seat Location

In the raised position, the centerline of the seat shall be located over the deck a minimum of 16" from the edge of the pool.

1009.2.3 Clear Deck Space

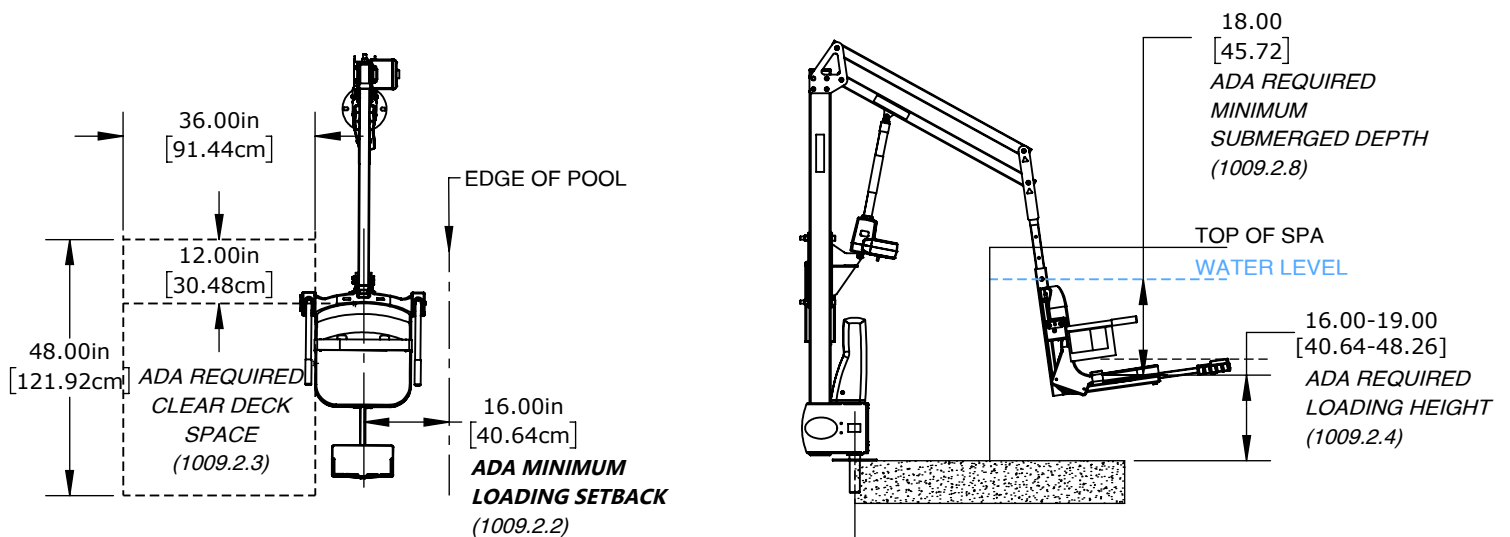
On the side of the seat opposite the water; a clear deck space shall be provided parallel with the seat. The space shall be 36" wide minimum and shall extend forward 48" minimum from a line located 12" behind the rear edge of the seat.

1009.2.4 Seat Height

The lift shall stop at 16" - 19" measured from the deck to the top of the seat surface when in the loading position.

1009.2.8 Submerged Depth

The lift shall submerge the seat a minimum of 18" below the stationary water level

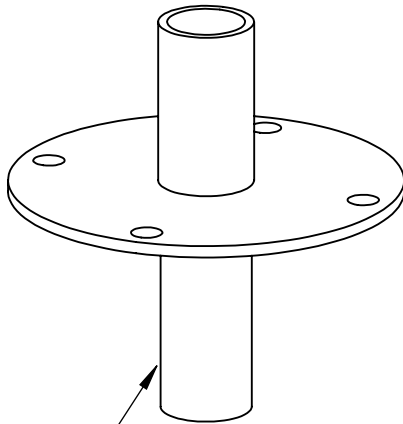


*Compliance with ADA is the responsibility of the pool owner. Visit www.ada.gov for complete guidelines.

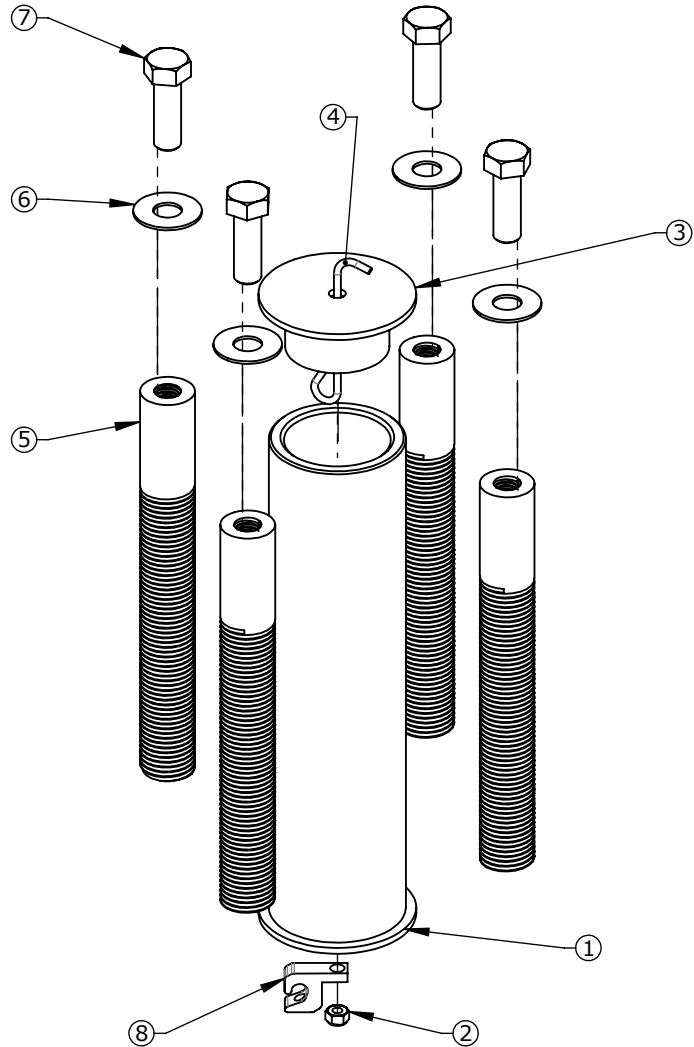
PRODUCT COMPONENTS

ANCHOR KIT - 1.90" X 10.00" - PAVER APPS (NPTN, NBLA) - INV03574					
ITEM	PART NO.	QTY.	REV.	DESCRIPTION	MATERIAL
1	INV02992	1	1	WELDMENT - PAVER ANCHOR 1.90"X10.00"	304 STAINLESS STEEL
2	INV00736	1	-	NN - #10-24 NYLOCK NUT	316 STAINLESS STEEL
3	INV01644	1	1	WELDMENT - ANCHOR CAP - 1.90"	304 STAINLESS STEEL
4	INV01512	1	-	PART - ANCHOR CAP - REMOVAL TOOL	1/8" 304 S.S. RND. BAR
5	INV00817	4	1	PART - ANCHOR INSERT - 1.00" X 8.00"	ROUND BAR - 1.00" PVC RND. BAR (GRAY)
6	INV01169	4	-	WF - 1/2" FLAT WASHER	316 STAINLESS STEEL
7	INV00388	4	-	BH - 1/2"-13X1 1/2" HEX HEAD BOLT	316 STAINLESS STEEL
8	INV00608	1	-	ANCHOR - BONDING LUG	COPPER

JIG PLATE ASSEMBLY **NOT INCLUDED** IN KIT. AVAILABLE TO ORDER PART NO. INV03518



JIG PLATE ASSEMBLY
NOT INCLUDED
(SOLD SEPARATELY)
PART NO. INV03518





ANCHOR INSTALL/CORE DRILL

NOTE: Your local codes may require one or more permits. Check your local building codes for the proper construction and bonding permit requirements.

TOOLS REQUIRED:

HAMMER DRILL
CONCRETE MARKING PEN/SPRAY
3" X 12" DIAMOND CORE DRILL BIT
AIR NOZZLE & PUMP/COMP.
1" X 10" CARBIDE TIPPED MASONRY DRILL BIT
VACUUM
HEAT GUN (OPTIONAL)
EPOXY (ANCHOR ADHESIVE)
MASKING TAPE
STEEL WIRE HOLE BRUSH

LOCATION/MARKING INSTRUCTIONS:

Mark the center of the 3"x10" main anchor location on your deck using your specific lift setback requirements and ADA guidelines provided in this manual.

DRILLING INSTRUCTIONS:

STEP 1A. At the 3"x10" main anchor location, use a 3" DIAMOND CORE DRILL BIT and drill a 3" diameter hole straight down to a minimum 11" depth. Ensure the hole is true. ***(NOTE: Should you drill through the concrete before reaching your minimum depth, a new slab form is required. Please refer to the saw-cut installation instructions on page 8.)***

STEP 1B. Insert the **Jig Plate Assembly** into the drilled 3"x10" main anchor location. (**Jig Plate Assembly sold separately**) Trace the outline of all applicable surrounding anchor holes, then remove **Jig Plate Assembly**.

STEP 1C. At the setting anchor(s) location, use a 1"x10" CARBIDE TIPPED MASONRY DRILL BIT and drill a 1" diameter hole straight down to a minimum 8" depth. Ensure all (5) holes are true.

STEP 2. BLOW- remove dust from holes with oil-free compressed air for a minimum of two seconds. BRUSH- Clean out the holes with a steel wire hole brush. BLOW- remove dust from holes with oil-free compressed air for a minimum of two seconds. Vacuum- Use vacuum to extract any residual debris. ***(NOTE: A heat-gun may be helpful in drying out the hole if applicable.)***

STEP 3. Place the 3"x10" main anchor into the hole and perform a "dry fit" to ensure the anchor sits true. Adjust the hole as needed. Repeat this process for the setting anchor(s). Remove all anchors, reinspect hole(s) for debris and ensure its removal before proceeding to the next step. ***(NOTE: Pool decks with pavers or thick tiles may require other anchor options. Contact Aqua Creek Products.)***

THE FOLLOWING STEPS ARE TO BE PREFORMED (1) ONE HOLE AT A TIME.

STEP 4. Inject epoxy adhesive into the anchor hole until the hole are 1/3 to 1/2 full. Starting from bottom of hole to prevent air pockets. Withdraw adhesive nozzle as hole fills up. ***(NOTE: We recommend using masking tape around the top of the anchor so that no epoxy gets inside the anchor.)***

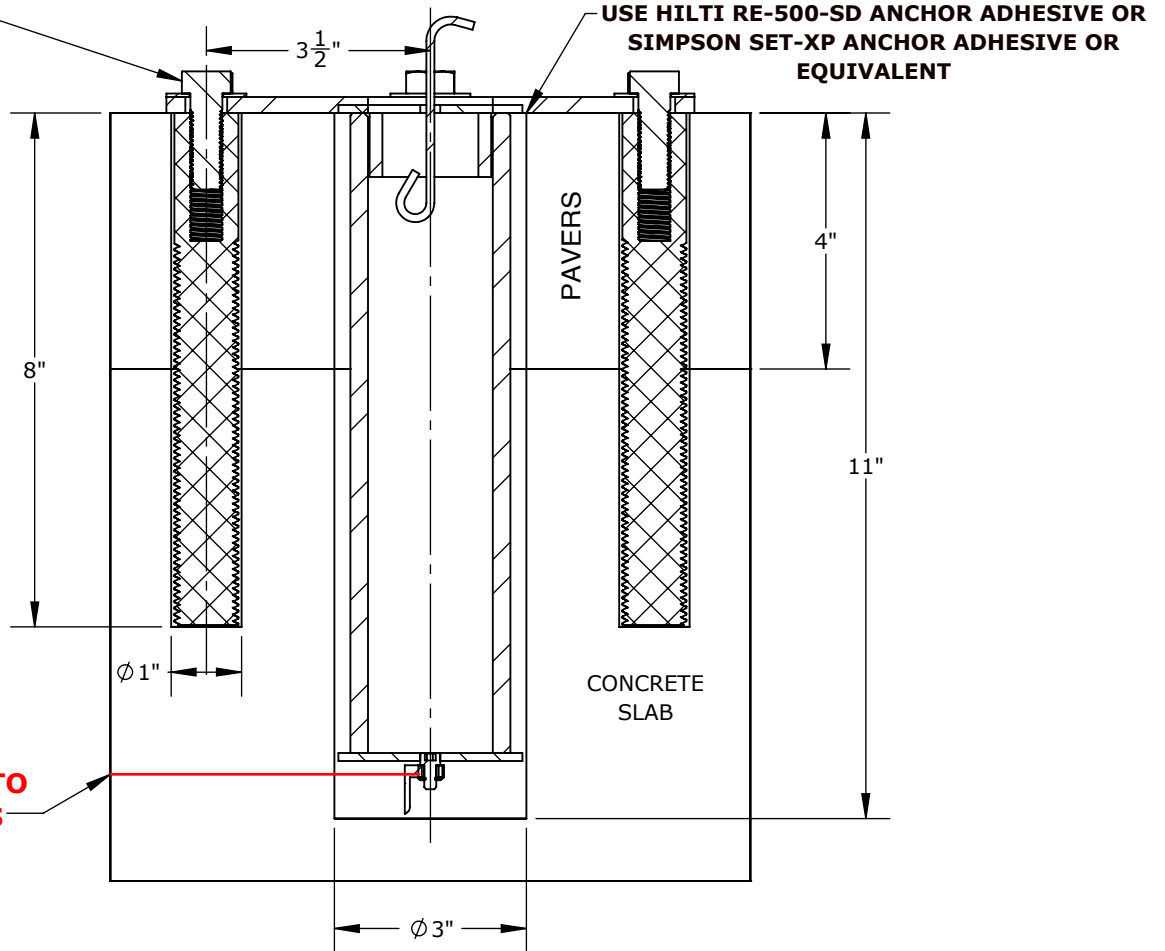
STEP 5. Insert clean and bonded, oil-free 3"x10" main anchor into the epoxy-filled hole, slowly pushing it down while twisting back and forth to evenly distribute the epoxy around the anchor, until it has fully been inserted. Immediately clean off any excess epoxy. Adjust the anchor as needed to make sure it is true. Repeat this process for all 1"x8" setting anchor(s).

STEP 6. Allow epoxy to fully cure before installation of the lift. ***(NOTE: refer to epoxy manufacturers' cure schedule instructions.)***

ANCHOR INSTALLATION

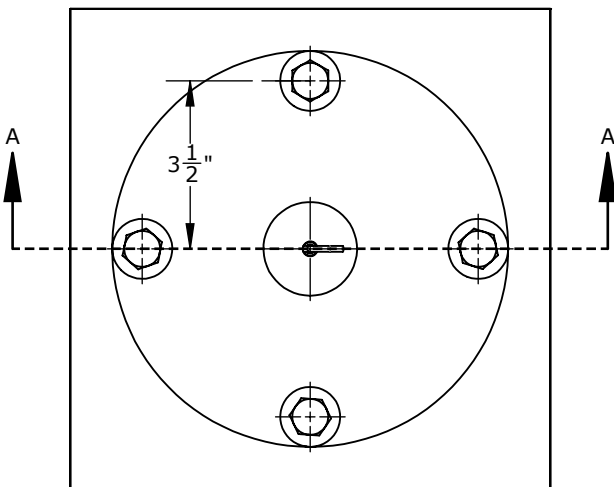
BH - 1/2"-13X1 1/2" HEX HEAD BOLT

4 EA



ANCHOR MUST BE BONDED ACCORDING TO LOCAL REQUIREMENTS

ANCHOR - SECTION VIEW



TOP VIEW

FOR INDOOR OR OUTDOOR USE

NOTES:

- Please consult page 6 for jig plate installation process to ensure proper anchor and setting anchor location prior to drilling
- **Check ALL local building regulations/codes for bonding lug prior to install**
- Use HILTI RE-500-SD Anchor Adhesive/ SIMPSON SET-XP Anchor Adhesive or equivalent adhesive product.

SAW CUT RETRO-FIT NEW CONSTRUCTION

Mask the Anchor Sleeve: Cover the bottom of the anchor sleeve securely to prevent concrete from seeping in during the pour. Use masking tape or other suitable materials.

Install Rebar: Ensure the rebar placement is consistent with both local building codes and specific structural requirements for the project. The thickened deck area will provide additional support, following the lift manufacturer's guidelines are essential for proper load-bearing capacity.

Set the Anchor Sleeve: Ensure that the anchor sleeve is securely positioned, and check for proper alignment and spacing from the pool's edge. Also, be sure to place the fixing anchor(s) insert(s) as per the guidelines (*3.5 inches from the center, as specified*). **(NOTE: Cross-check the documentation or refer to your specific lift graph for required setback distance position. For further assistance, please contact customer service.)**

Bond the Anchor Sleeve: Follow local bonding code requirements closely to ensure safety and compliance with electrical grounding or bonding standards. This step is particularly important for pool installations to prevent electrical hazards.

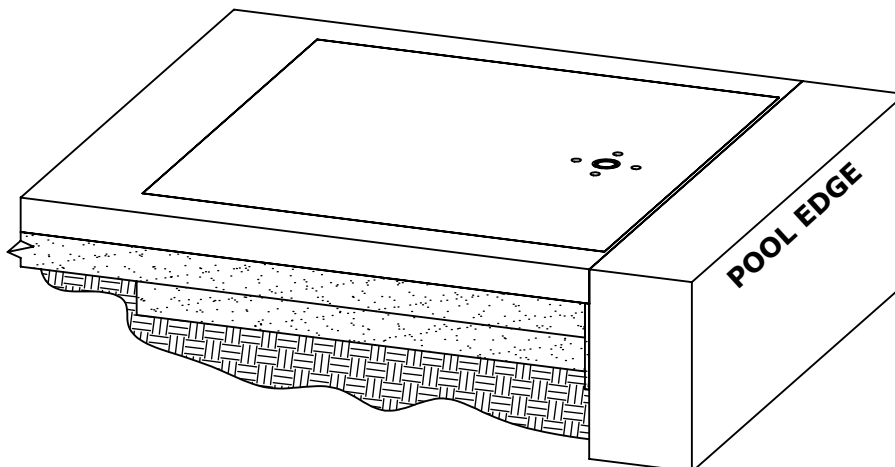
Pour Concrete: When pouring the concrete, it's essential to avoid disturbing the anchor sleeve(s) and ensure the surface is leveled for a smooth pool deck finish. Make sure that the concrete is properly vibrated or tapped to remove air pockets around the sleeve(s).

Finish Top Deck: Allow the concrete to cure fully as per manufacturer or concrete supplier recommendations (typically, at least 7 days for basic curing and up to 28 days for full strength). Once the concrete is fully cured, proceed with installation of the top/finish deck to be flush with all anchor sleeve(s).

Install setting anchors: Once the concrete is fully cured, follow the installation instructions for setting anchors on page 5, **Step 1B** through **Step 6**. After the anchors are properly set and secured, you can proceed with the mounting of the lift.

Mount Lift: After the anchors are properly set and secured, you can proceed with the mounting of the lift.

Be sure to follow all manufacturer instructions and local codes to ensure the proper setup and safety.

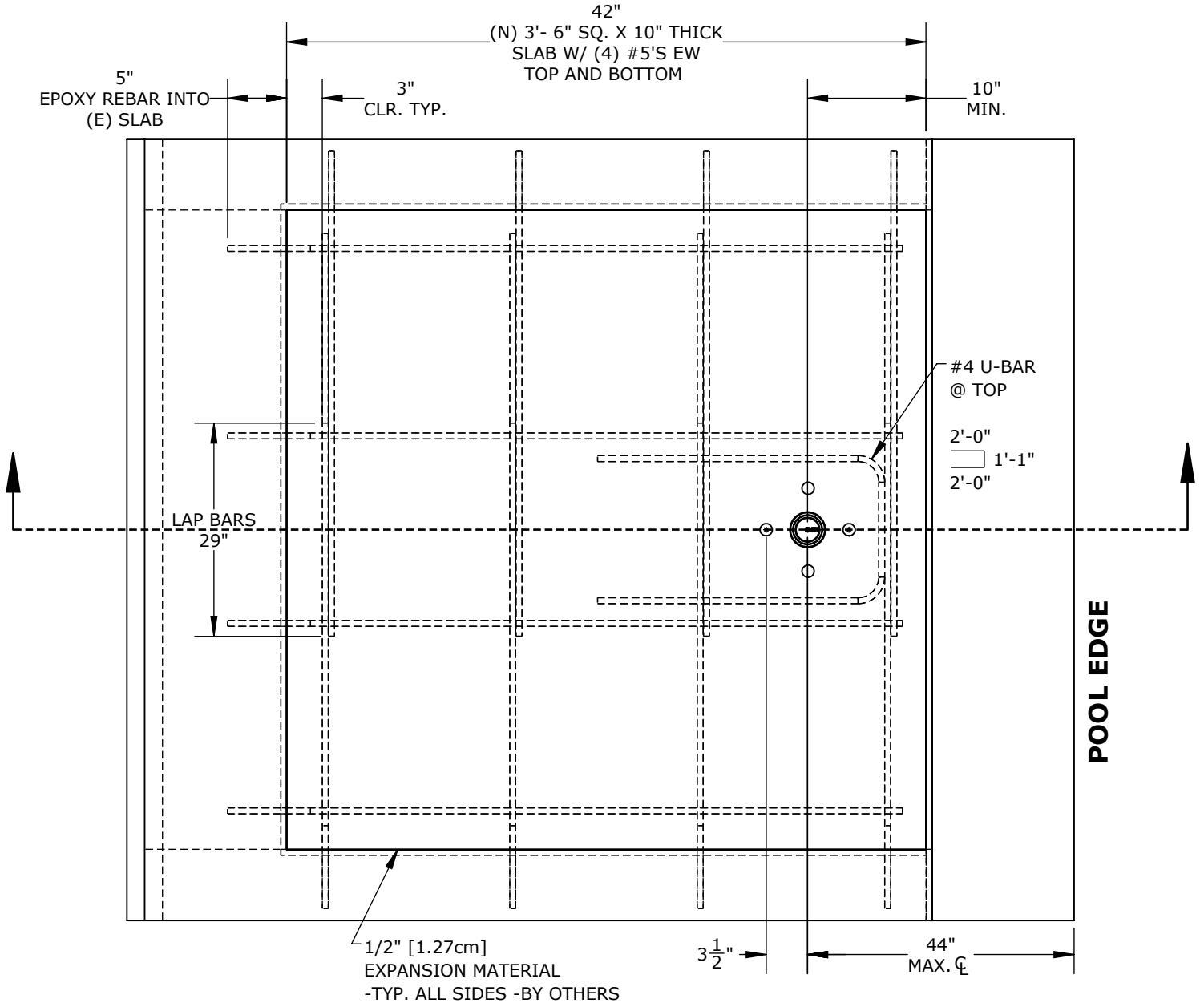


FOR INDOOR OR OUTDOOR USE

8

NEPTUNE/NEBULA

SAW CUT RETRO-FIT / NEW CONSTRUCTION



NOTES:

1. SIM FOR NEW CONSTRUCTION AND STAND ALONE SYSTEM.
2. MINIMUM CONCRETE STRENGTH OF 2500 PSI, w/c=0.45, W/(4) #5's EW AT TOP AND BOTTOM
3. USE SIMPSON SET-XP, HILTI RE-500-SD, OR APPROVED ALTERNATIVE FOR EPOXY FOR REBAR

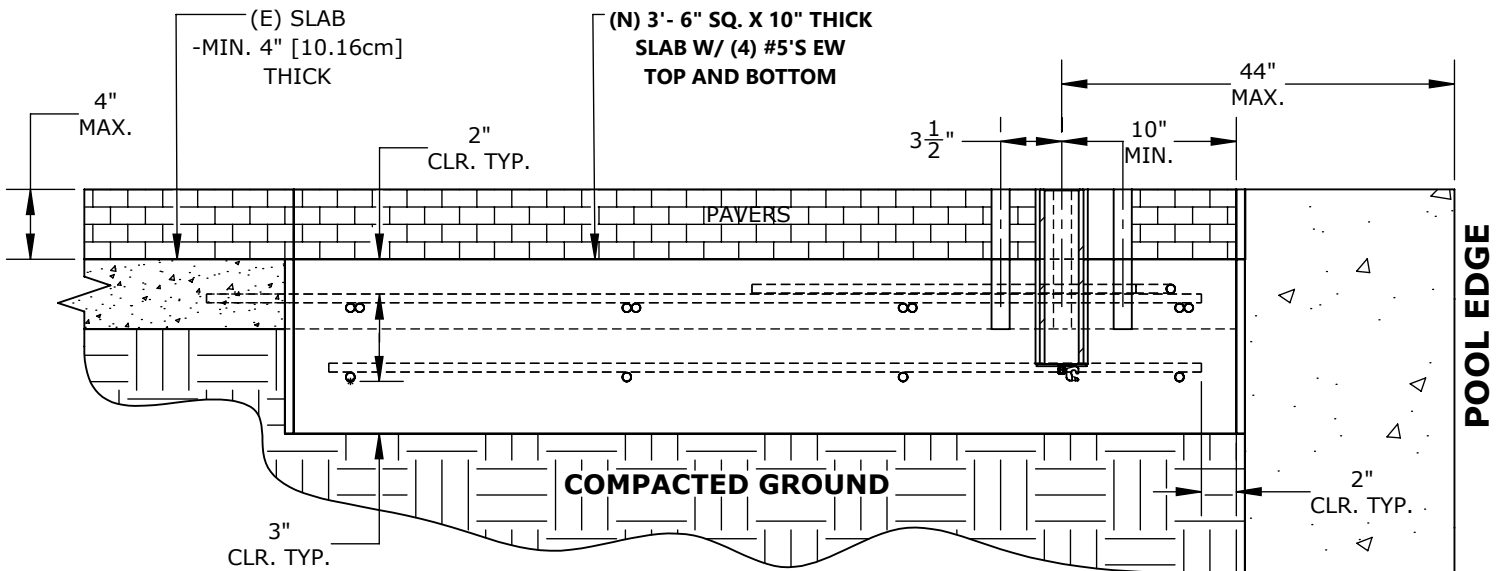
SAW CUT RETRO-FIT / NEW CONSTRUCTION FOUNDATION

NEPTUNE/NEBULA APPLICATION

YOUR DECK MUST HAVE:

- MIN. 3'- 6" x 3'- 6" x 10" THICK
- MIN. CONCRETE STRENGTH: 2500 PSI, w/c = .045
- RFT: #5 REBAR @ 10" ON CENTER (O.C.)

**(SEE NEPTUNE SAW-RETRO FIT/NEW CONSTRUCTION
FOR ANCHOR PLACEMENT)**



SECTION VIEW