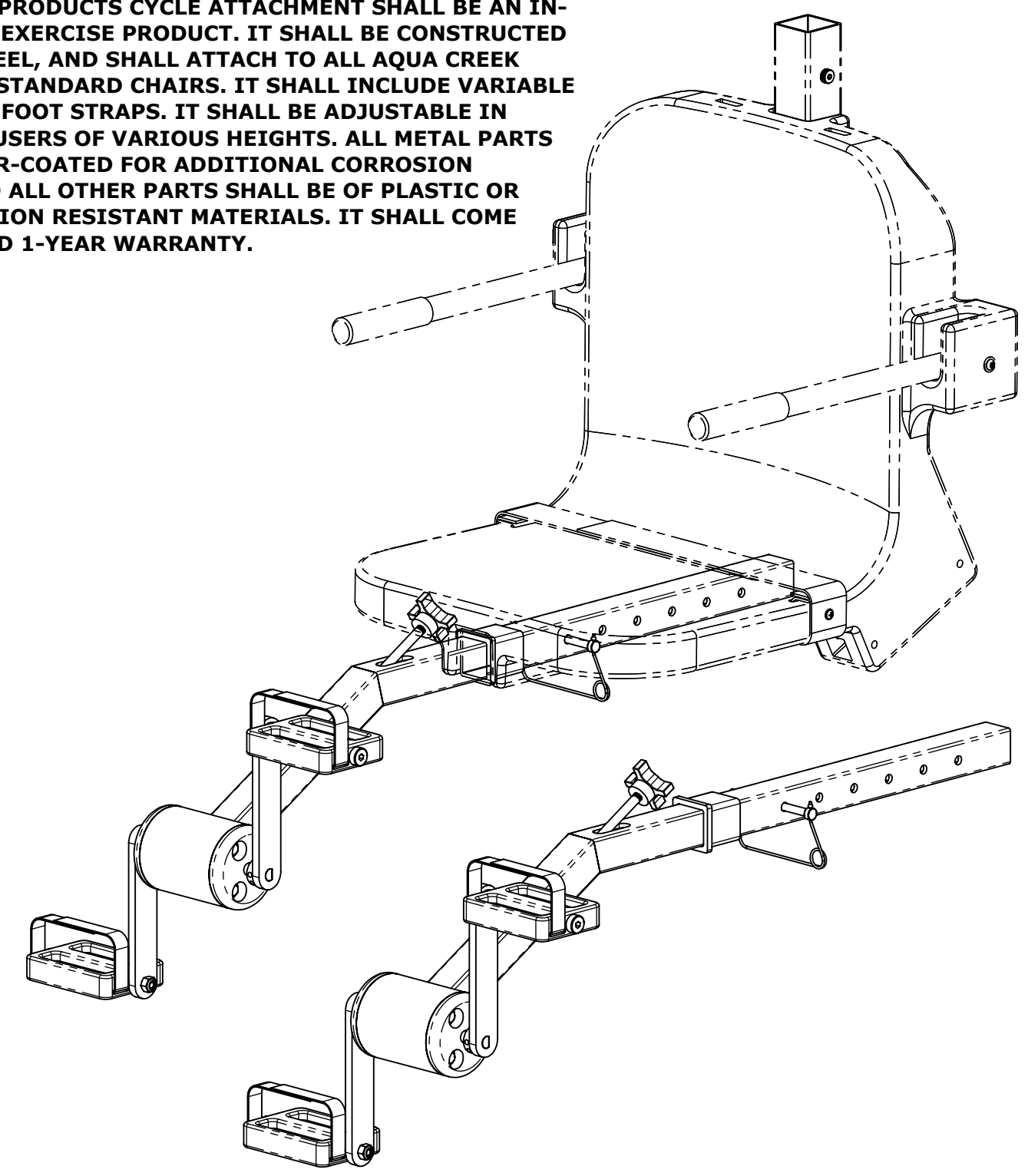
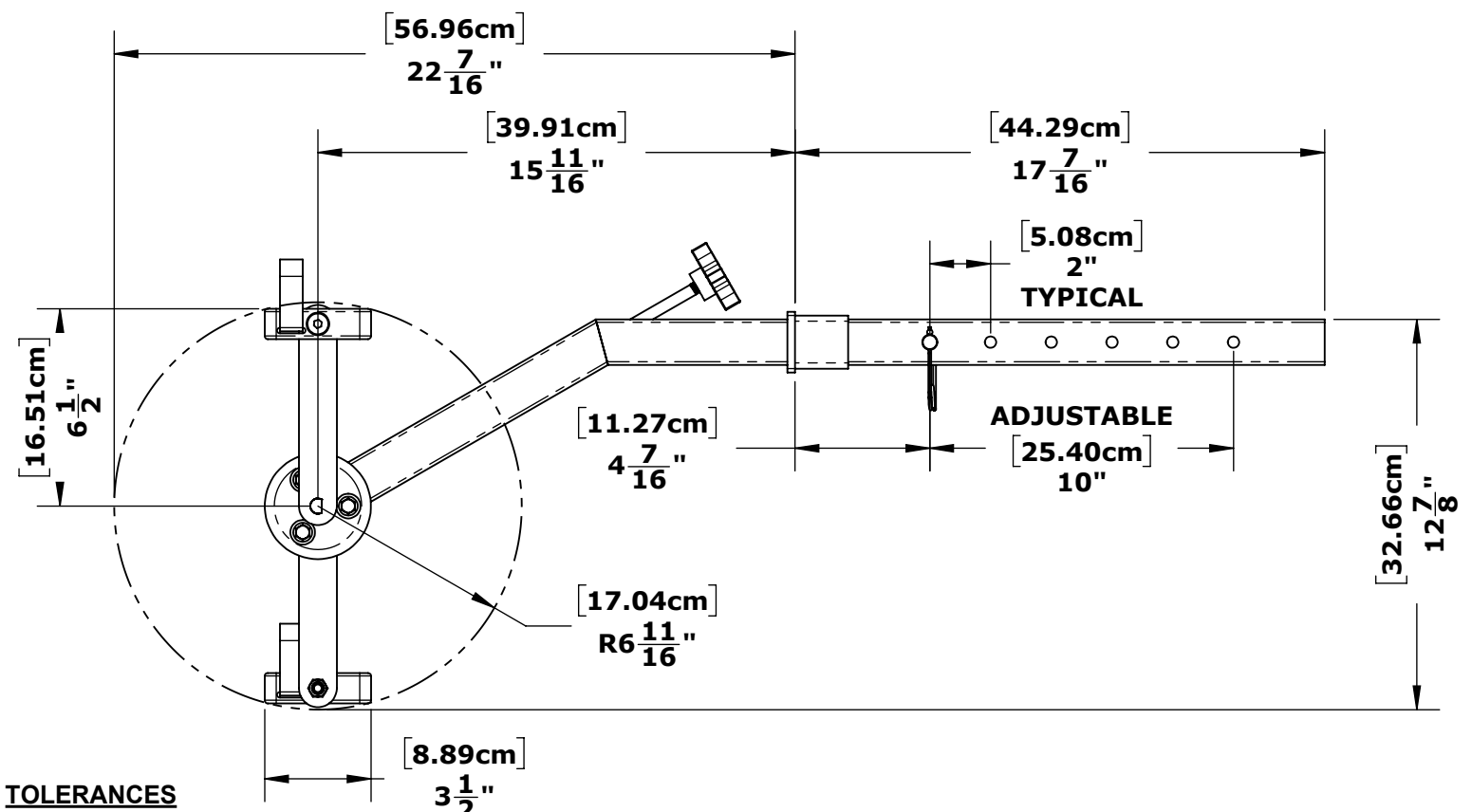
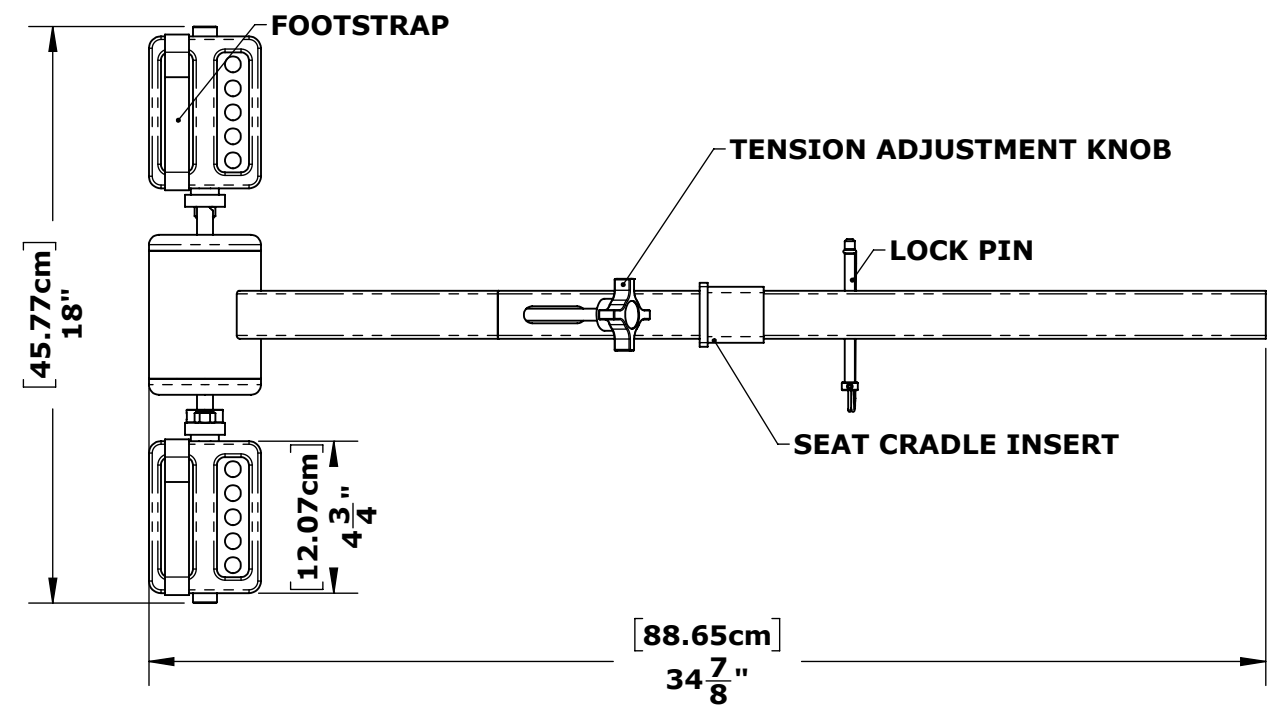


SPECIFICATIONS:

THE AQUA CREEK PRODUCTS CYCLE ATTACHMENT SHALL BE AN IN-WATER, CYCLING-EXERCISE PRODUCT. IT SHALL BE CONSTRUCTED OF STAINLESS STEEL, AND SHALL ATTACH TO ALL AQUA CREEK PRODUCTS WITH STANDARD CHAIRS. IT SHALL INCLUDE VARIABLE RESISTANCE AND FOOT STRAPS. IT SHALL BE ADJUSTABLE IN LENGTH TO SUIT USERS OF VARIOUS HEIGHTS. ALL METAL PARTS SHALL BE POWDER-COATED FOR ADDITIONAL CORROSION RESISTANCE, AND ALL OTHER PARTS SHALL BE OF PLASTIC OR EQUALLY CORROSION RESISTANT MATERIALS. IT SHALL COME WITH A STANDARD 1-YEAR WARRANTY.



ASSEMBLY - CYCLE ATTACHMENT
F-019CA
PART NO. INV01379

TOLERANCES
DIMENSIONS ARE IN INCHES
UNLESS OTHERWISE SHOWN
FRACTIONAL: ±1/16
ANGULAR: ±1°
TWO PLACE DECIMAL: ±.01
THREE PLACE DECIMAL: .. ±.005

MATERIAL: 304 STAINLESS STEEL
FINISH: POWDER COAT - WHITE
APPROX. WEIGHT: 15.64 LBS.



9889 GARRYMORE LANE
MISSOULA, MT 59808
(406) 549-0769
FAX (406) 549-2602
www.AquaCreek.com

PROPRIETARY AND CONFIDENTIAL INFORMATION
THIS DRAWING AND ALL INFORMATION CONTAINED HEREIN IS THE SOLE PROPERTY OF AQUA CREEK PRODUCTS LLC. ANY REPRODUCTION IN PART OR AS A WHOLE WITHOUT WRITTEN PERMISSION FROM AQUA CREEK IS PROHIBITED.

REVISIONS			
REV.	DESCRIPTION	DATE	APPROVED
P1	INITIAL RELEASE	11/29/2022	J.MAXWELL