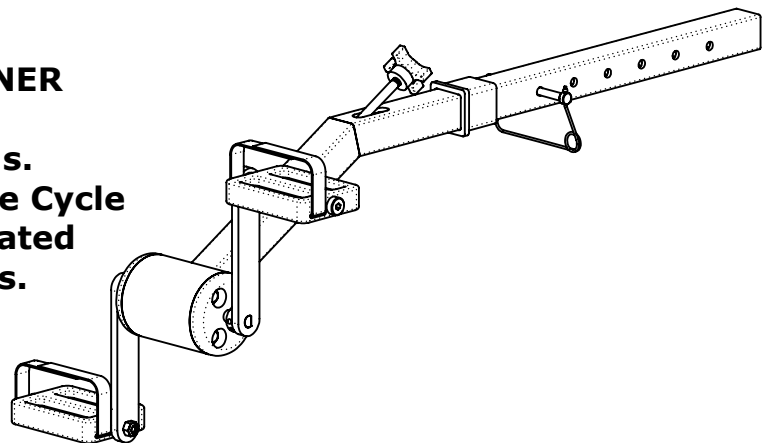


**USE THIS MANUAL FOR ALL
AQUA CREEK PRODUCTS' ACCESS LIFTS**

MANDATORY
LEAVE THIS MANUAL WITH OWNER

**Read and follow all instructions.
Lift safety can only be ensured if the Cycle
Attachment is installed and operated
according to these instructions.**

- **FOR SAFETY REASONS**
- **NEVER** swim alone
- **NEVER** use the lift with a dry pool
- **NEVER** apply direct water pressure to the electronics
- **NEVER** permit children to play on or around the lift
- **DO NOT** allow children to use the lift without adult supervision

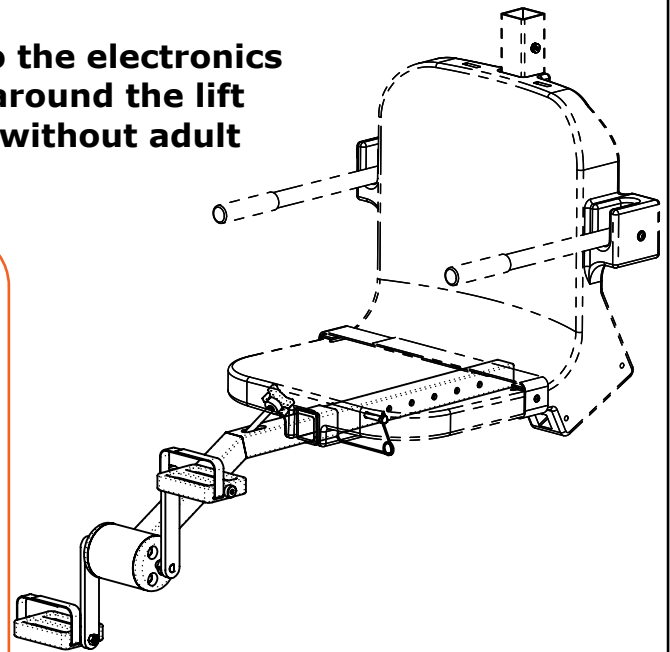


READ CAREFULLY

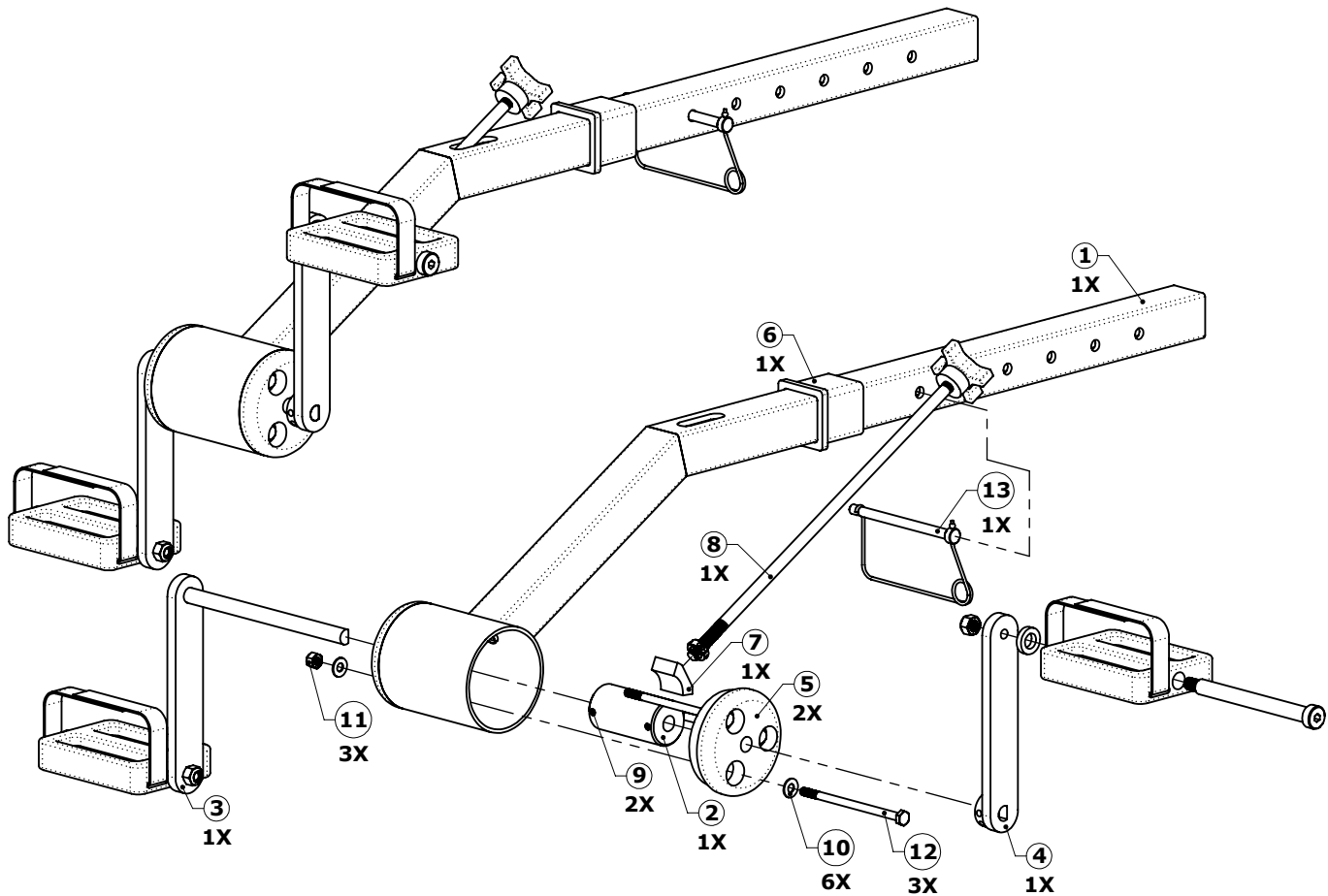
Check entire box and all packing materials for parts. Before beginning assembly, read the instructions and identify parts using the figures and parts listed in this document.

It is critical that all parts be carefully inspected prior to installation. If any damage occurred in transit, Aqua Creek Products, LLC must be notified within three days of receipt of unit.

Proper installation cannot be overstressed, as an improper installation voids Aqua Creek's warranty and may affect the safety of the user.



Aqua Creek Products, LLC
9889 Garrymore Lane
Missoula, MT 59808
Toll Free: (888) 687-3552
Local/Intl: (406) 549-0769
www.aquacreek.com



ASSEMBLY - CYCLE ATTACHMENT - INV01379

ITEM	PART NO.	QTY.	REV.	DESCRIPTION
1	INV02202	1	P1	WELDMENT - CYCLE ATTACHMENT MAIN FRAME
2	INV01262	1	P1	PART - CYCLE ATTACHMENT CRANK SPACER
3	INV03215	1	P1	ASSEMBLY - PEDAL RIGHT W/SHAFT
4	INV03212	1	P1	ASSEMBLY - PEDAL LEFT
5	INV01263	2	P1	PART - CYCLE ATTACHMENT HUB CAP
6	INV00435	1	P1	PART - CYCLE ATTACHMENT INSERT
7	INV01264	1	P1	PART - CYCLE ATTACHMENT BRAKE PAD
8	INV03192	1	P1	ASSEMBLY - TENSION ADJUSTMENT ROD
9	INV01086	2	N/A	SS - 1/4"-20X3/8" SET SCREW
10	INV01170	6	N/A	WF - 1/4" FLAT WASHER
11	INV00735	3	N/A	NN - 1/4"-20 NYLOCK NUT
12	INV00403	3	N/A	BH - 1/4"-20X4 1/2" HEX HEAD BOLT
13	INV01069	1	N/A	SP - 5/16"X4" SNAP PIN

STEP 01: Remove the 2" square plastic end cap from the front of the chair support tube, front of chair between legs.
(FIGURE 01)

STEP 02: Slide the Bike Pedal Attachment into the chair support tube. Align one of the leg length adjustment holes with the holes through the chair and the chair support tube.
(FIGURE 02)

STEP 03: Install 5/16" safety snap pin into aligned holes, and clip the spring over the end.
(FIGURE 02)

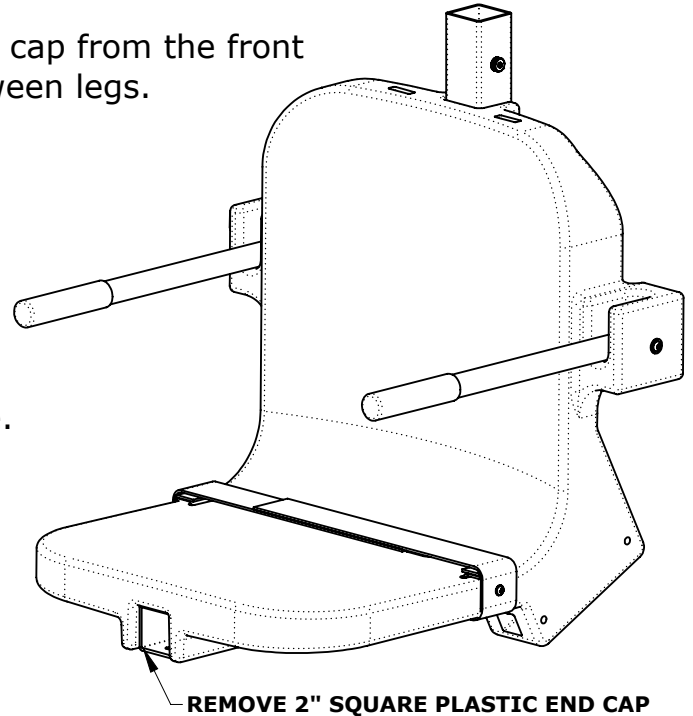


FIGURE 01

The Cycle Attachment is now ready for use.

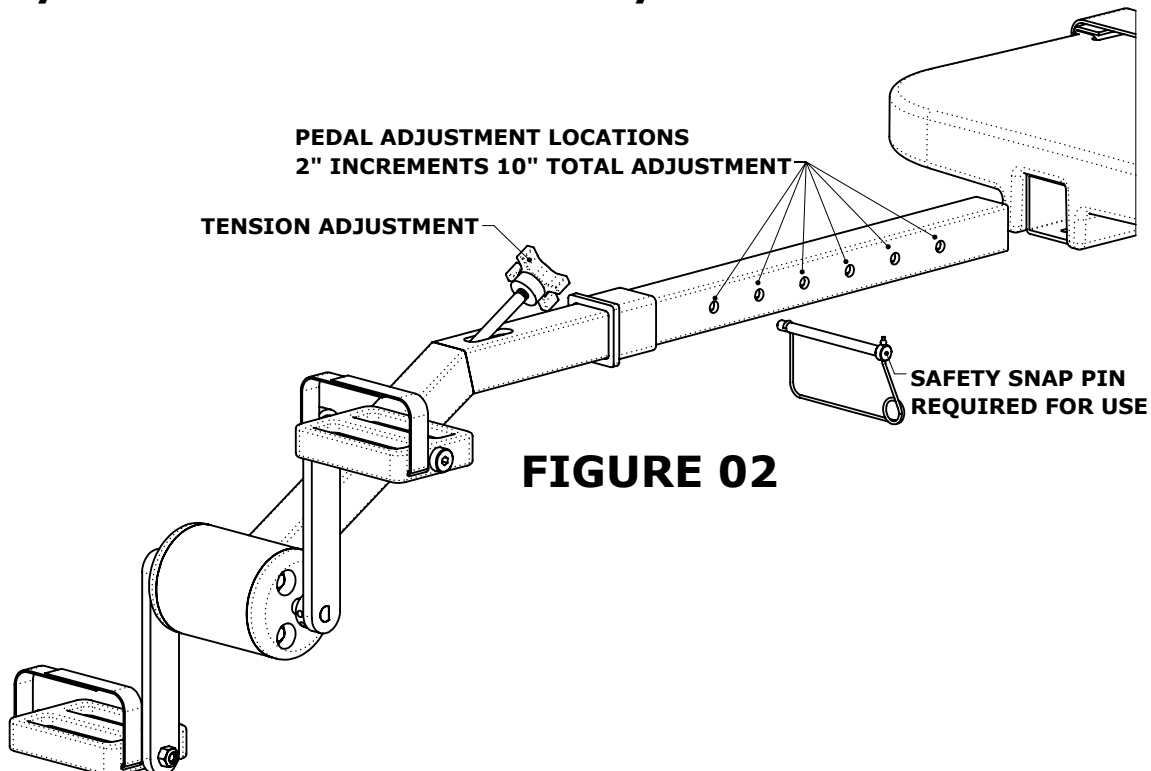


FIGURE 02

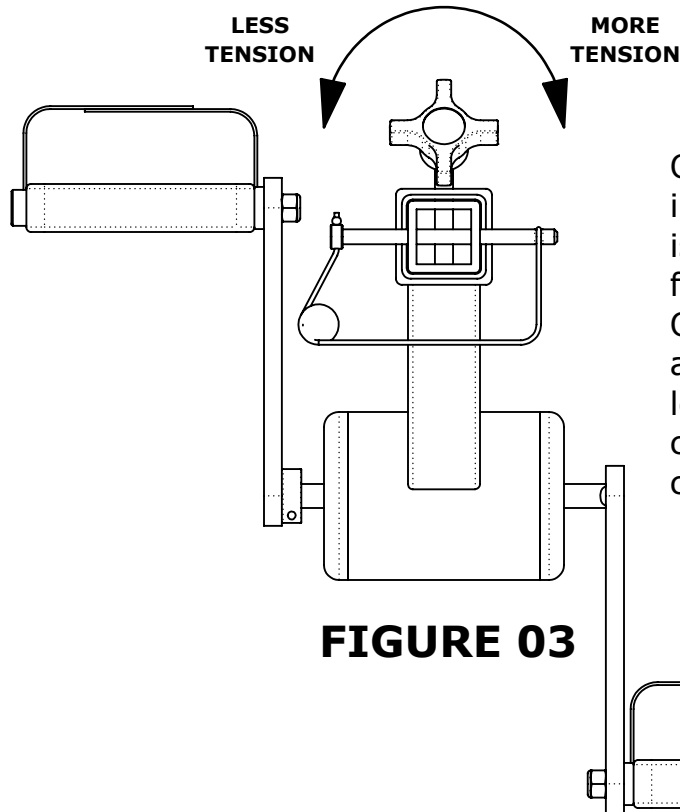


FIGURE 03

Once the Cycle Attachment has been installed onto an Aqua Creek Products' lift it is ready for use. Make sure to always fasten the safety belt when using the lift. Once in the water, hold onto the hand-grips and pedal normally. If you need more (or less) resistance, turn the adjustment knob; clockwise for more tension, counterclockwise for less. **(FIGURE 03)**

The Cycle Attachment will function optimally in water a **minimum of 42" deep** (from the deck to the pool floor). It is also important to adjust the length of the attachment until your legs are slightly bent when at their fullest extension. This is easily accomplished by removing the pin from underneath the chair and sliding the attachment in or out until the desired length is achieved. Then be sure to reinstall the pin, into the closest available hole. **(FIGURE 02, PREVIOUS PAGE)**

ALWAYS ADJUST THE LENGTH BEFORE LOWERING INTO THE POOL!

Tension may be adjusted once in the water, and may be adjusted at any time during exercise, as shown in **FIGURE 03** above.

Try different tension settings and length adjustments to find your own "comfort zone".



Aqua Creek Products **LIMITED ONE (1) YEAR WARRANTY**

Aqua Creek Products, LLC (a.k.a. Aqua Creek) warrants to the original end user purchaser that products manufactured by Aqua Creek, when properly installed in accordance with assembly and installation instructions and properly used and maintained, shall be free from defects in material and workmanship for a period of **one (1) year from the date of original purchase**, provided that Aqua Creek receives prompt notice in writing of any defect or failure and satisfactory proof thereof, with the following exceptions:

Exceptions:

- This warranty specifically excludes reimbursement for labor to remove, repair, or install the product and any freight charges.
- This warranty does not cover any damages due to accident, force majeure, act of nature, misuse, abuse, negligence or failure to properly maintain any products, or normal wear and tear from day to day operations.
- In the event that any products are altered, repaired, or improperly installed by anyone without the prior written approval by Aqua Creek, all warranties are void.

IMPORTANT: User is not to exceed the rated weight capacity of this product. It is the responsibility of the product owner to verify the weight of the patron for warranty claim purposes and to ensure that the product is not overloaded.

To initiate a warranty claim, the owner of an Aqua Creek product must provide the place of purchase, in writing, with a full description of the product, its serial number, the dates of purchase and installation, and the exact nature of the defect. Within thirty (30) days after receipt of a written warranty claim by Aqua Creek, and barring any unforeseen delays, the place of purchase will be notified of Aqua Creek's decision regarding the claim. All warranty calculations are from date of original purchase at manufacturer's suggested retail price. Non-payment for product to Aqua Creek may void warranty.

If requested by Aqua Creek, any defective product must be returned, freight prepaid by customer, to Aqua Creek's designated factory location or duly appointed distributor for inspection and/or repair. Aqua Creek will, at its option, repair or replace the failed or defective item, and deliver the repaired product or replacement to the customer. All freight charges are the responsibility of the customer. Products returned to Aqua Creek for which Aqua Creek provides replacement under this limited warranty shall become the property of Aqua Creek. A new warranty period shall **NOT** be established for the repaired or replaced products. Such products shall remain under warranty only for the remainder of the original warranty period on the original products purchased.

This written limited warranty constitutes the final, complete and exclusive statement of warranty terms. No person or organization is authorized to make any other specific or implied warranties or representations on behalf of Aqua Creek.

THE WARRANTIES SET FORTH HEREIN ARE IN LIEU OF ALL OTHER WARRANTIES, EXPRESSED OR IMPLIED, WHICH ARE HEREBY DISCLAIMED AND EXCLUDED, INCLUDING WITHOUT LIMITATION ANY WARRANTY OF MERCHANTABILITY OR FITNESS FOR A PARTICULAR PURPOSE OR USE.

THE SOLE AND EXCLUSIVE REMEDIES FOR BREACH OF ANY AND ALL WARRANTIES WITH RESPECT TO THE PRODUCTS SHALL BE LIMITED TO REPAIR OR REPLACEMENT AT AQUA CREEK'S DESIGNATED FACTORY LOCATION, OR DULY APPOINTED DISTRIBUTOR, OR IN PLACE AT AQUA CREEK'S OPTION. IN NO EVENT SHALL AQUA CREEK'S LIABILITY EXCEED THE ENTIRE AMOUNT PAID TO AQUA CREEK BY THE ORIGINAL PURCHASER FOR THE FAILED OR DEFECTIVE PRODUCT.

IN NO EVENT SHALL AQUA CREEK PRODUCTS, LLC BE LIABLE FOR ANY INCIDENTAL, CONSEQUENTIAL, SPECIAL, INDIRECT, PUNITIVE OR EXEMPLARY DAMAGES OR LOST PROFITS FROM ANY BREACH OF THIS LIMITED WARRANTY OR OTHERWISE.