

**USE THIS MANUAL FOR PART #'s:  
F-SPRTST on F-TWPB**

**MANDATORY**  
**LEAVE THIS MANUAL WITH OWNER**

**Read and follow all instructions.  
Bike safety can only be ensured if the seat  
is installed and operated according to  
these instructions.**

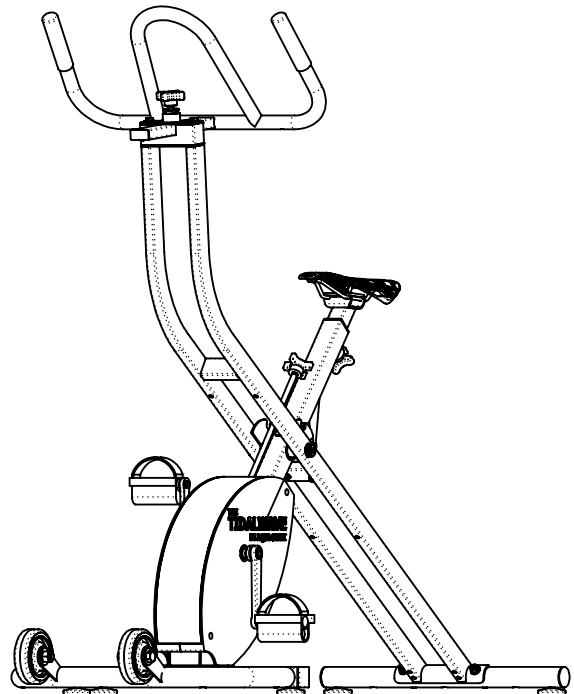
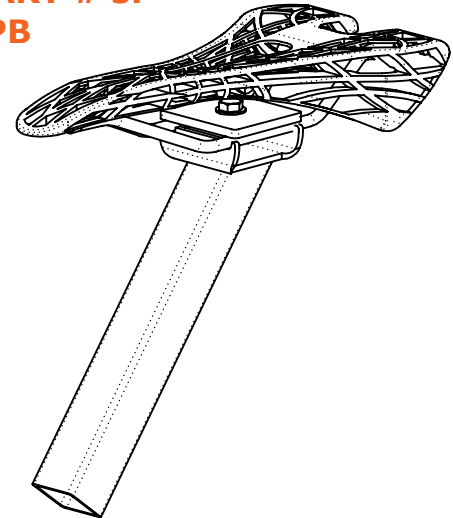
- **FOR SAFETY REASONS**
- **NEVER** exercise alone in the water
- **DO NOT** allow children to use the bike without adult supervision

**READ CAREFULLY**

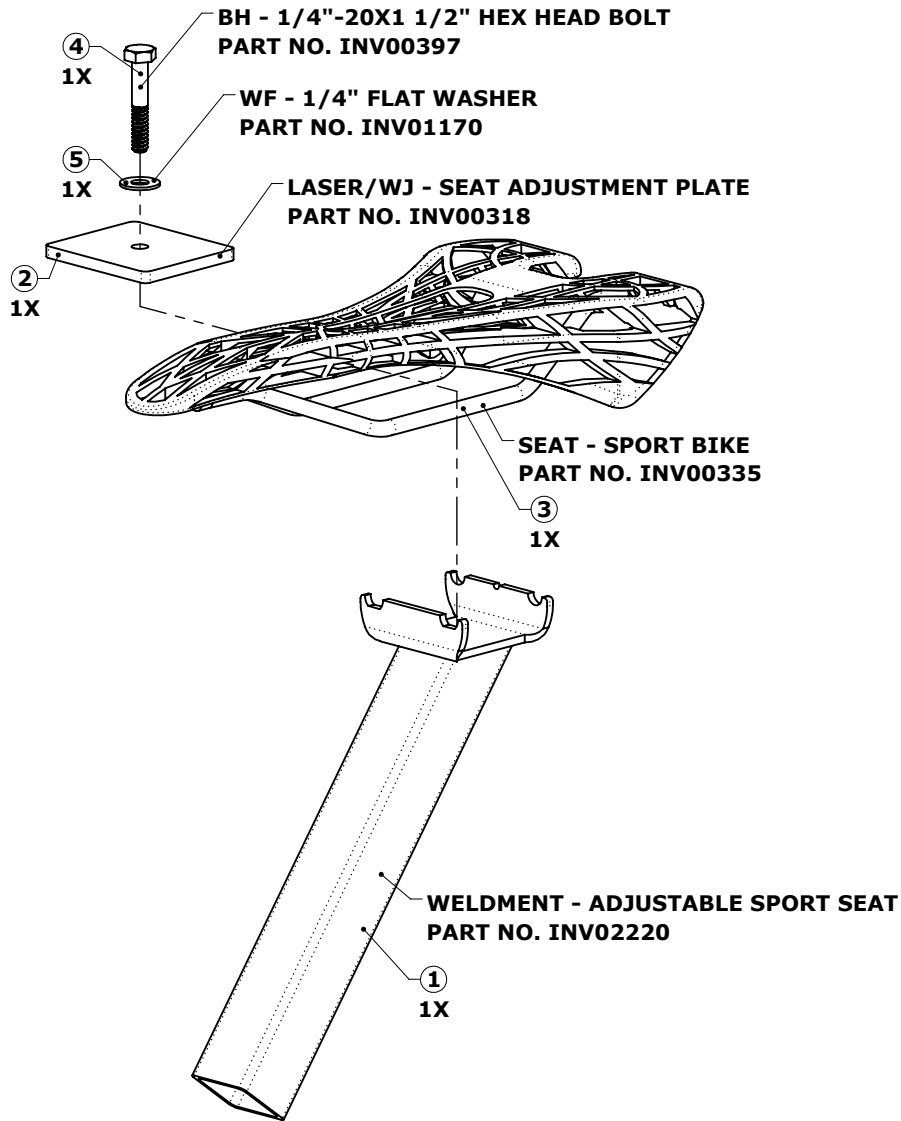
Check entire box and all packing materials for parts. Before beginning assembly, read the instructions and identify parts using the figures and parts listed in this document.

It is critical that all parts be carefully inspected prior to installation. If any damage occurred in transit, Aqua Creek Products, LLC must be notified within three days of receipt of unit.

Proper installation cannot be overstressed, as an improper installation voids Aqua Creek's warranty and may affect the safety of the user.



**Aqua Creek Products, LLC**  
**9889 Garrymore Lane**  
**Missoula, MT 59808**  
**Toll Free: (888) 687-3552**  
**Local/Intl: (406) 549-0769**  
**www.aquacreek.com**



**ASSEMBLY - ADJUSTABLE SPORT SEAT - INV01545**

ITEM	PART NO.	QTY.	REV.	DESCRIPTION
1	INV02220	1	P1	WELDMENT - ADJUSTABLE SPORT SEAT
2	INV00318	1	P1	LASER/WJ - SEAT ADJUSTMENT PLATE
3	INV00335	1	N/A	SEAT - SPORT BIKE
4	INV00397	1	N/A	BH - 1/4"-20X1 1/2" HEX HEAD BOLT
5	INV01170	1	N/A	WF - 1/4" FLAT WASHER

**1.** Set the seat height that fits the riders needs best. Use the adjustment holes in the back of the tube on the Sport Seat Assembly along with the adjustment knob on the Tidalwave Pool Bike to set the correct seat height. This is easiest to do on the pool deck, before lowering the bike into the water. **SEE FIGURE 01 - DETAIL A (BELOW)**

