

**USE THIS MANUAL FOR PART #'s:
F-RCMST on F-TWPB**

MANDATORY
LEAVE THIS MANUAL WITH OWNER

Read and follow all instructions.
Bike safety can only be ensured if the seat
is assembled and operated according to
these instructions.

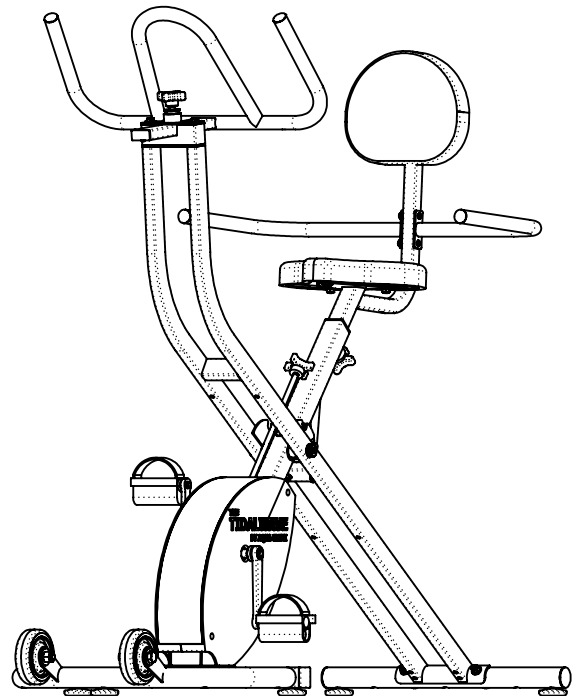
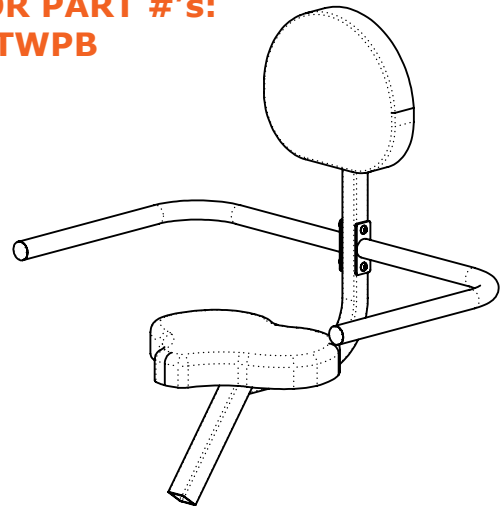
- **FOR SAFETY REASONS**
- **NEVER** exercise alone in the water
- **DO NOT** allow children to use the bike without adult supervision

READ CAREFULLY

Check entire box and all packing materials for parts. Before beginning assembly, read the instructions and identify parts using the figures and parts listed in this document.

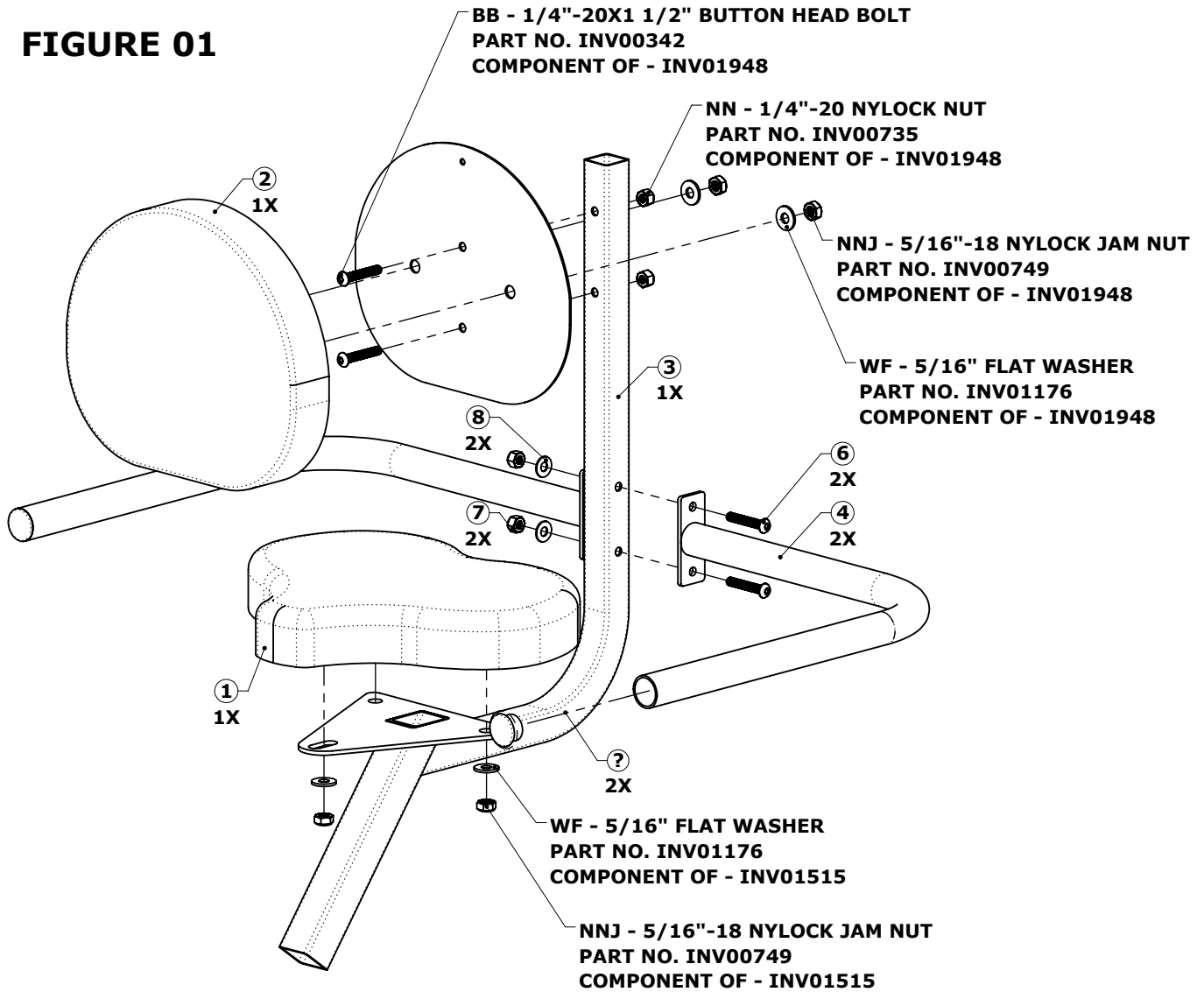
It is critical that all parts be carefully inspected prior to installation. If any damage occurred in transit, Aqua Creek Products, LLC must be notified within three days of receipt of unit.

Proper installation cannot be overstressed, as an improper installation voids Aqua Creek's warranty and may affect the safety of the user.



Aqua Creek Products, LLC
9889 Garrymore Lane
Missoula, MT 59808
Toll Free: (888) 687-3552
Local/Intl: (406) 549-0769
www.aquacreek.com

FIGURE 01



ACCESSORY - ADJUSTABLE RECUMBENT SEAT (FG) - INV01537

ITEM	PART NO.	QTY.	REV.	DESCRIPTION
1	INV01515	1	P1	ASSEMBLY - COMFORT SEAT W/FASTENERS
2	INV01948	1	P1	ASSEMBLY - RECUMBENT BACKREST W/FASTENERS
3	INV02224	1	P1	WELDMENT - RECUMBENT SEAT
4	INV02223	2	P1	WELDMENT - RECUMBENT SEAT ARMREST
5	INV02358	2	P1	END CAP - RND. 1.00" DIA.
6	INV00342	2	P1	BB - 1/4"-20X1 1/2" BUTTON HEAD BOLT
7	INV00735	2	P1	NN - 1/4"-20 NYLOCK NUT
8	INV01170	2	P1	WF - 1/4" FLAT WASHER

1. Begin by connecting the backrest plate and the seat back assembly to the main assembly of the Recumbent Seat option. Use the two (2) 1/4" x 1 1/2" button head bolts and two (2) 1/4" nylock nuts to connect the backrest plate. Then, use the two (2) 5/16" flat washers and jam nylock nuts to connect the seat back assembly. The washers and jam nylocks will connect to bolts that are preinstalled in the seat back assembly.

SEE FIGURE 01 (SHEET 02)

2. Now, connect the handlebar weldments to the main assembly using the two (2) 1/4" x 1 3/4" button head bolts and two (2) 1/4" nylock nuts. Once the handlebars are installed, slide the rubber hand grips over the end of the tubes. **SEE FIGURE 01 (SHEET 02)**

3. Lastly, be sure to set the seat height that fits the riders needs best. Use the adjustment holes in the back of the tube on the Recumbent Seat Assembly along with the adjustment knob on the Tidalwave Pool Bike to set the correct seat height. This is easiest to do on the pool deck, before lowering the bike into the water. **SEE FIGURE 02 - DETAIL A (BELOW)**

