

**USE THIS MANUAL FOR PART #'s:  
F-PWCS on F-PWRWV**

**MANDATORY**  
**LEAVE THIS MANUAL WITH OWNER**

**Read and follow all instructions.  
Bike safety can only be ensured if the seat  
is installed and operated according to  
these instructions.**

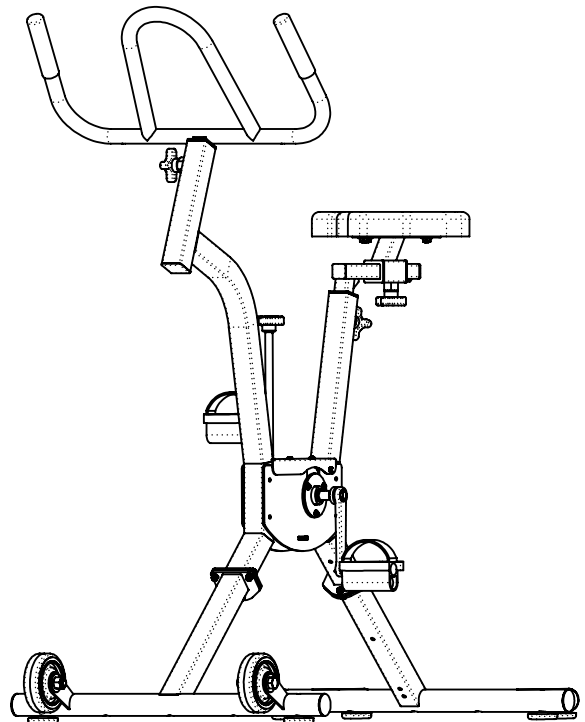
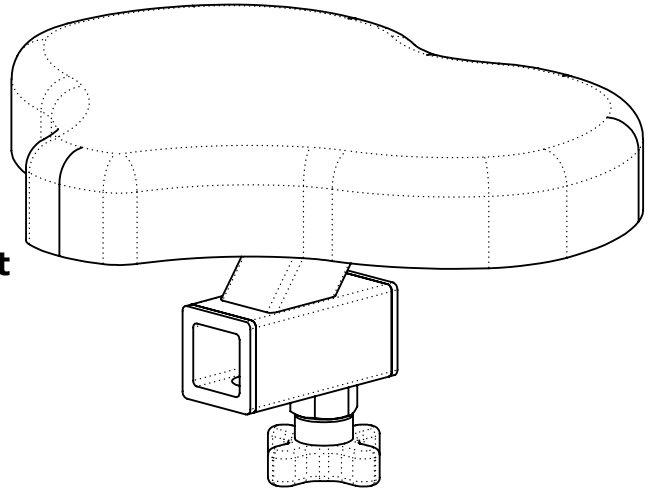
- **FOR SAFETY REASONS**
- **NEVER** exercise alone in the water
- **DO NOT** allow children to use the bike without adult supervision

**READ CAREFULLY**

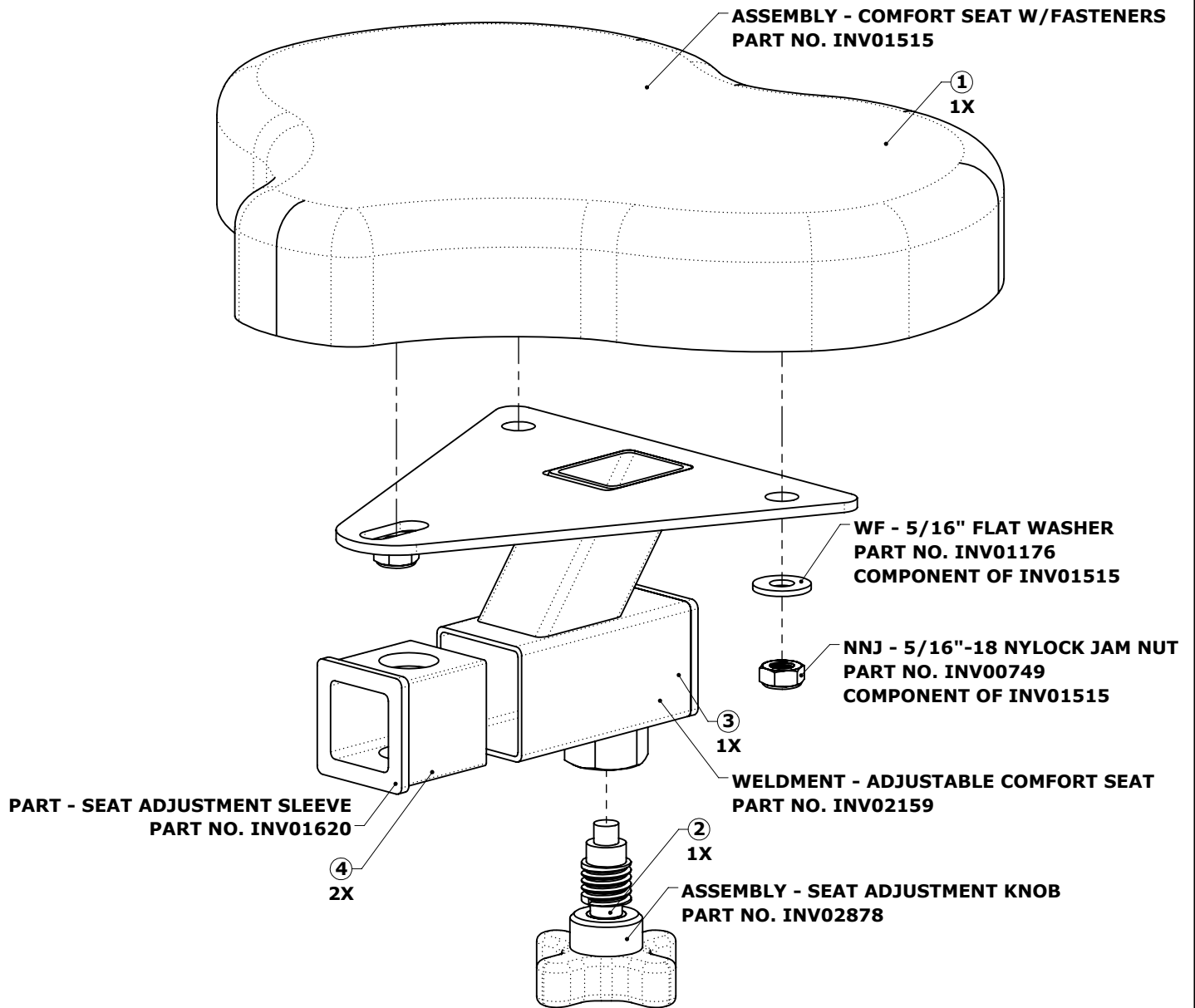
Check entire box and all packing materials for parts. Before beginning assembly, read the instructions and identify parts using the figures and parts listed in this document.

It is critical that all parts be carefully inspected prior to installation. If any damage occurred in transit, Aqua Creek Products, LLC must be notified within three days of receipt of unit.

Proper installation cannot be overstressed, as an improper installation voids Aqua Creek's warranty and may affect the safety of the user.



**Aqua Creek Products, LLC**  
**9889 Garrymore Lane**  
**Missoula, MT 59808**  
**Toll Free: (888) 687-3552**  
**Local/Intl: (406) 549-0769**  
**www.aquacreek.com**

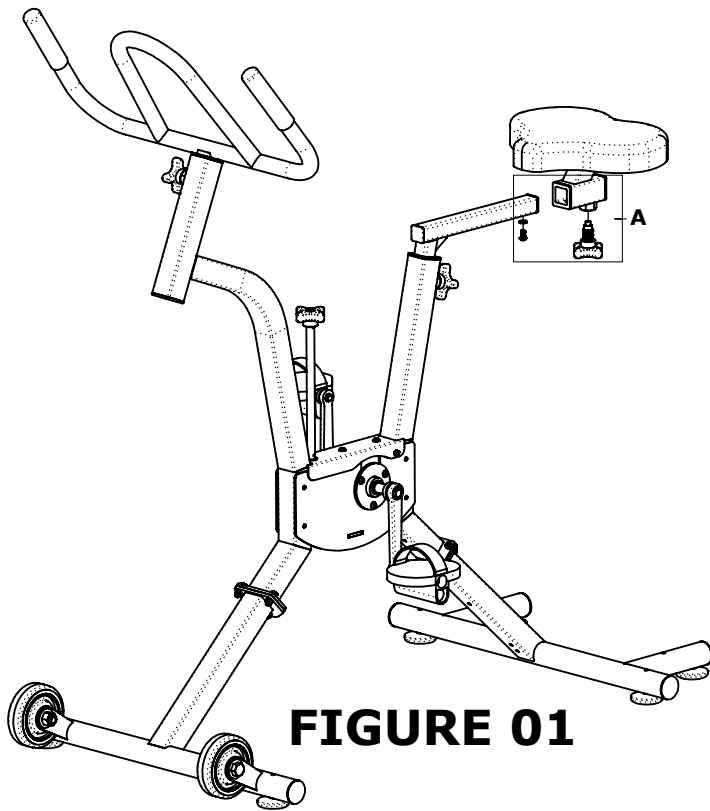


**ASSEMBLY - ADJUSTABLE COMFORT SEAT - INV01533**

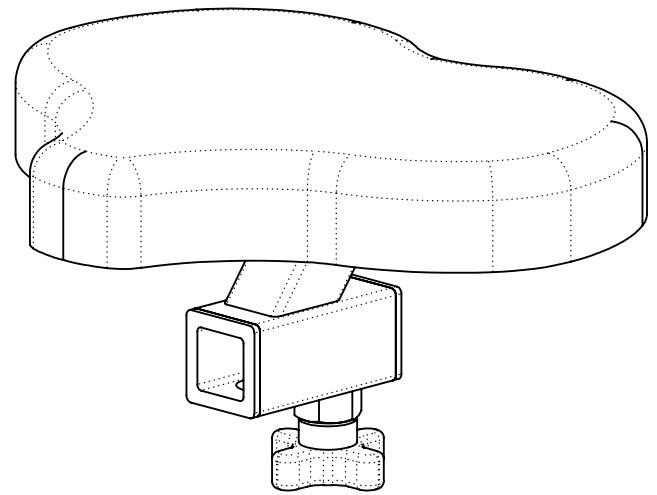
ITEM	PART NO.	QTY.	REV.	DESCRIPTION
1	INV01515	1	P1	ASSEMBLY - COMFORT SEAT W/FASTENERS
2	INV02878	1	P1	ASSEMBLY - SEAT ADJUSTMENT KNOB
3	INV02159	1	P1	WELDMENT - ADJUSTABLE COMFORT SEAT
4	INV01620	2	P1	PART - SEAT ADJUSTMENT SLEEVE

1. Set the seat location that fits the riders needs best. Use the adjustment holes in the seat adjustment tube on the Prowave Pool Bike along with the adjustment knob on the Comfort Seat Assembly to set the correct seat location. This is easiest to do on the pool deck, before lowering the bike into the water. SEE FIGURE 01 - DETAIL A (BELOW)

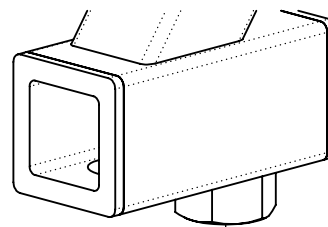
2. Replace the lock washer and button head bolt to prevent to Comfort Seat from sliding off the back of the Prowave Pool Bike adjustment tube.



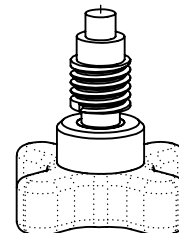
**FIGURE 01**



**PROWAVE POOL BIKE  
SEAT ADJUSTMENT TUBE**



**DETAIL A  
SCALE 1 : 2**



**SEAT ADJUSTMENT KNOB  
PART NO. INV02878**

**WL - 1/4" LOCK WASHER  
PART NO. INV01182**

**BB - 1/4"-20X1/2" BUTTON HEAD BOLT  
PART NO. INV00345**

