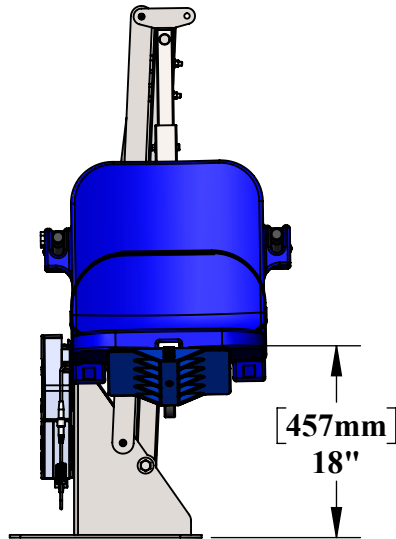
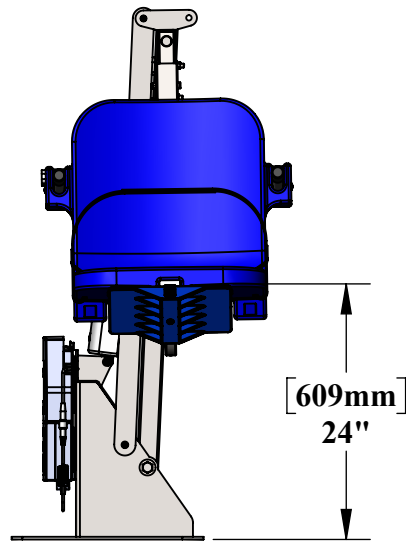


# RANGER 2 ADJUSTABLE CHAIR ARM

**PRODUCT WEIGHT: 110lbs [49kg]**  
**MAX WEIGHT CAPACITY: 350lbs [160kg]**  
**MIN ANCHOR SETBACK: 14.5"**  
**MAX ANCHOR SETBACK: 19"**  
**SEAT HEIGHT ADJUSTMENT: 6" IN 2" INCREMENTS**

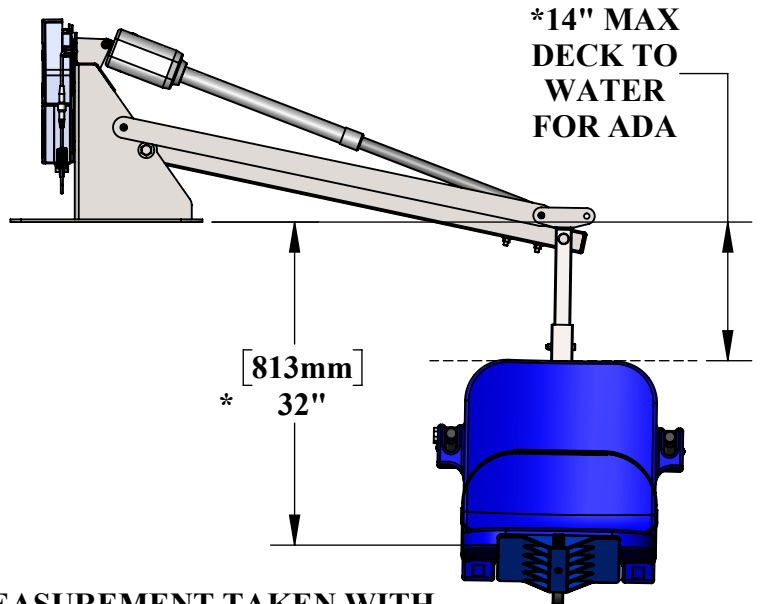


**LOAD HEIGHT WITH SEAT ADJUSTED TO LOWEST POSITION**

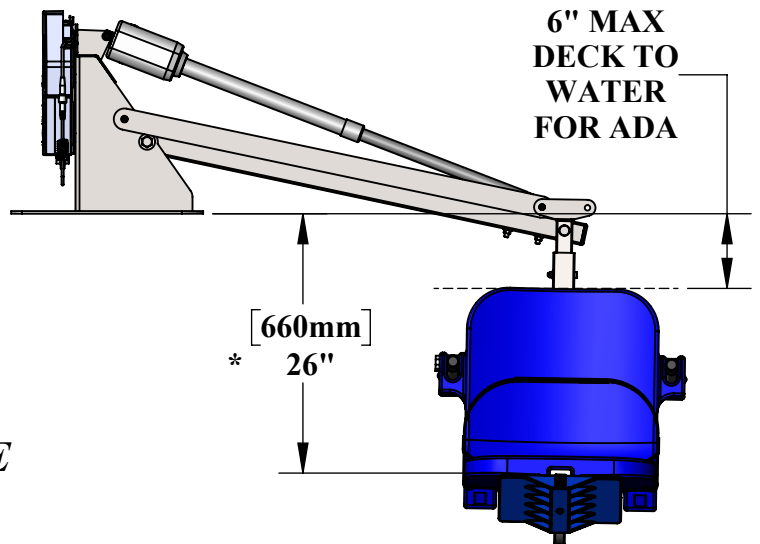


**LOAD HEIGHT WITH SEAT ADJUSTED TO HIGHEST POSITION**

***LOAD HEIGHT CAN ALSO BE ADJUSTED TO 20" AND 22"***



**\*MEASUREMENT TAKEN WITH THE LIFT AT FULL LOAD**



**9889 GARRYMORE LANE**  
**MISSOULA, MT 59808**  
**(406) 549-0769**  
**FAX (406) 549-2602**

NOTE:  
\*SPECIFICATIONS ARE SUBJECT TO CHANGE WITHOUT NOTICE

<b>PRODUCT:</b>	
<b>ADJUSTABLE CHAIR ARM</b>	
<b>PART #:</b>	
<b>F-AACA</b>	
<b>SCALE:</b>	<b>DATE:</b>
<b>1:18</b>	<b>7/12/2019</b>
<b>DRAWN BY:</b>	<b>REVISION:</b>
<b>KR</b>	<b>01</b>