

VITO MOTION SYSTEM CO., LTD

CHARGER TECHNICAL SPECIFICATION

CUSTOMER: AQUA CREEK PRODUCTS

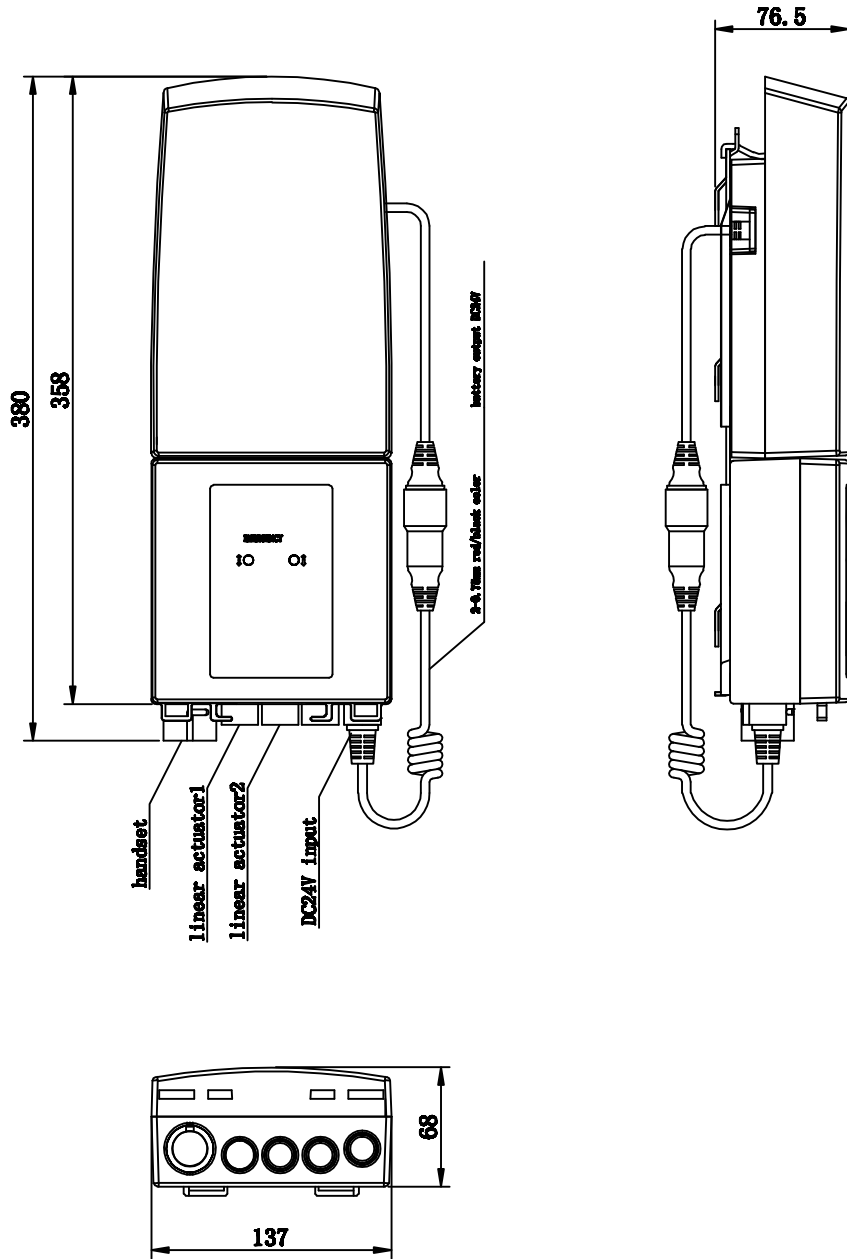
PRODUCT TYPE:

NO.	ITEM	SPECIFICATION	NOTES
1	INPUT FREQUENCY	50-60HZ	
2	INPUT VOLTAGE	100-240VAC	
3	STANDBY POWER CONSUMPTION	$\leq 0.5W$	
4	EFFICIENCY	$\geq 80\%$	
5	OUTPUT VOLTAGE	29V	
6	OUTPUT CURRENT	700mA	
7	OVER-VOLTAGE PROTECTION	YES	
8	OVER-CURRENT PROTECTION	YES	
9	AMBIENT TEMPERATURE	0°C _ +40°C	
10	RELATIVE HUMIDITY	20%-95%	
11	DISPLAY COLOR: MEANS	<u>RED LED:</u> CHARGE INDICATOR ON=BATTERY IS CHARGING. <u>GREEN LED:</u> POWER INDICATOR ON=POWER (ON)	
12	SHORT-CIRCUIT PROTECTION	CHARGER SHUS OFF IF BATT. POLARITY IS REVERSED	
13	PROTECTION CLASS	IP65	
14	APPROVAL	UL60601(MEDICALLY APPROVED)	

DATE/DRAFT

DATE/CHECK:

DATE/APPROVE:



					TITEL		VITO MOTION SYSTEM Co.,Ltd	
					Profile drawing (AQUA)		Material	
REV	WES	DATE	DES'D	APP'D	PART NO:			
DES'D					Scale		1: 2.5	
CHK'D								
REV'D								
APP'D								