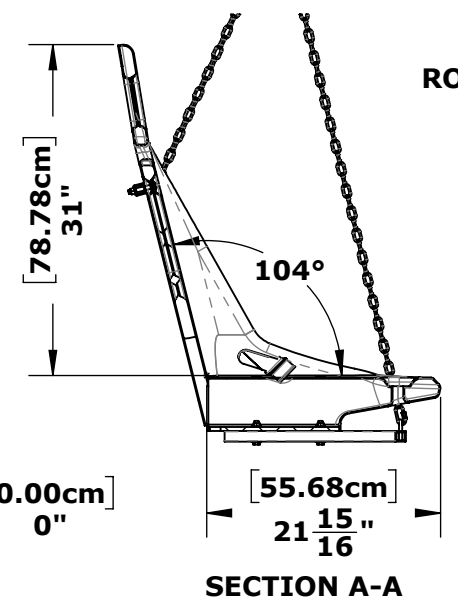
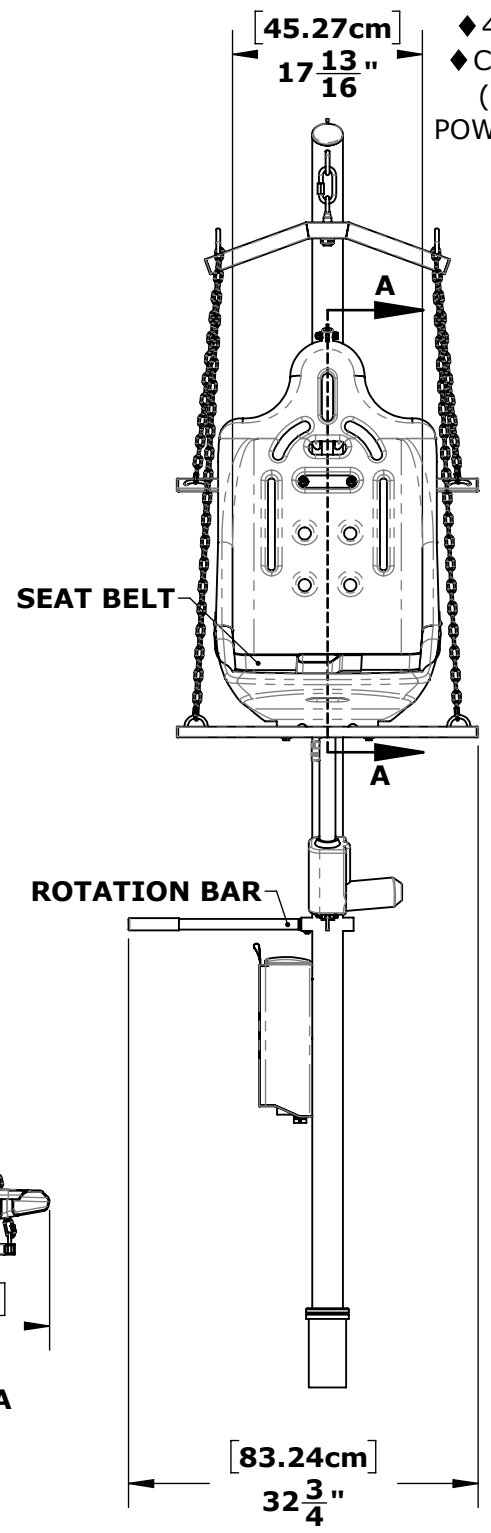
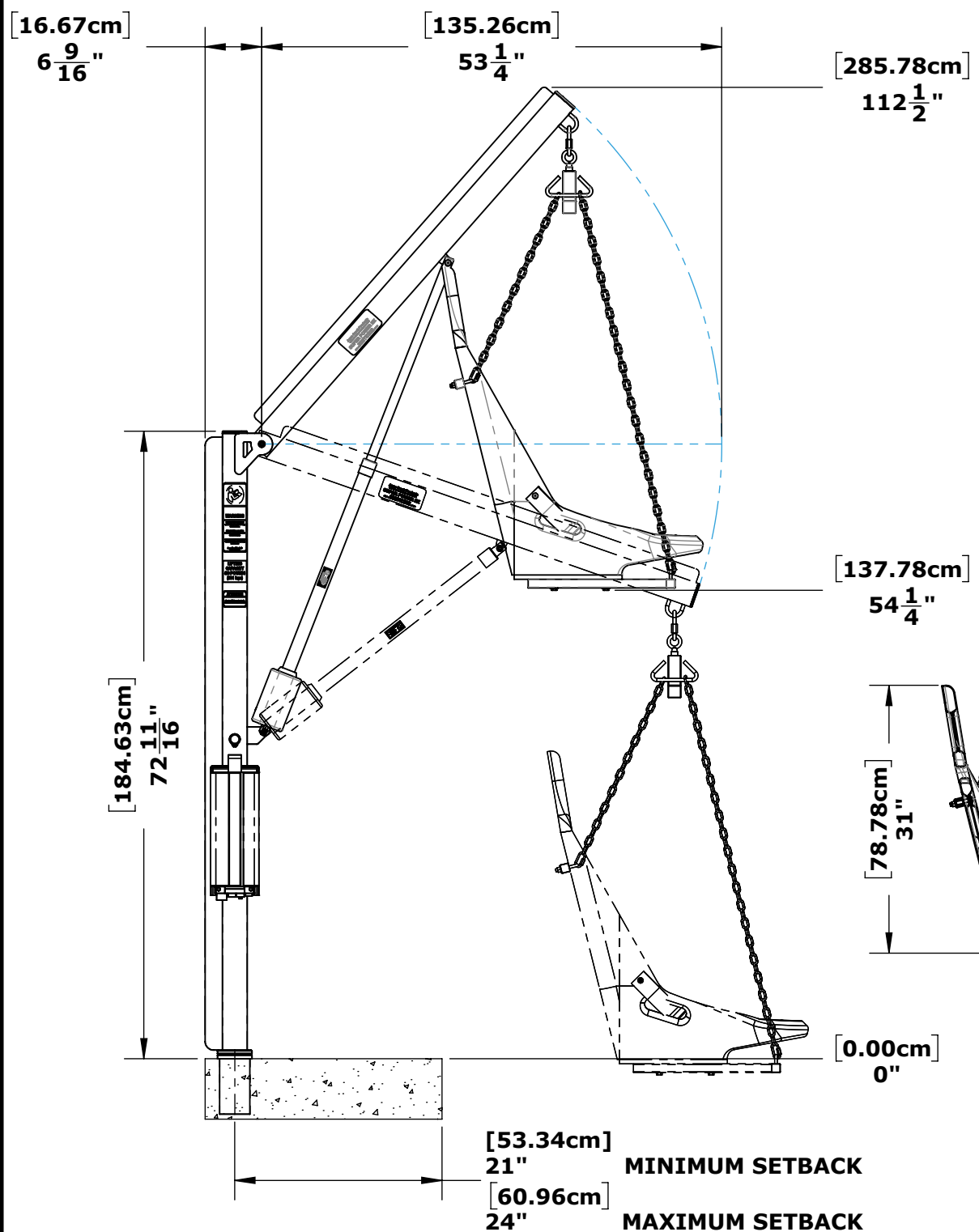


### FEATURES

- ◆ 400 LB. (181 KG.) WEIGHT CAPACITY ◆ SETBACK RANGE 21" TO 24" (54 - 61 cm)
- ◆ CLEARANCES VARY BY WALL HEIGHT & WIDTH WATER ◆ CLEARS WALLS UP TO 58" (147cm)
- ◆ 360 ROTATION ◆ ALL STAINLESS STEEL CONSTRUCTION ◆ DURABLE POWDER COAT FINISH
- ◆ FULLY CUSTOMIZABLE ◆ FIVE YEAR STRUCTURAL WARRANTY ◆ FIVE YEAR PRO-RATED ELECTRONICS WARRANTY

CLICK HERE TO VIEW THIS PRODUCT:  
[HTTPS://AQUACREEKPRODUCTS.COM/SPEZ/](https://aquacreekproducts.com/spez/)



MATERIAL: 304 STAINLESS STEEL  
FINISH: POWDER COAT - WHITE  
APPROX. WEIGHT: 141.39 LBS.

**TOLERANCES**  
DIMENSIONS ARE IN INCHES  
UNLESS OTHERWISE SHOWN  
FRACTIONAL: .....  $\pm 1/16$   
ANGULAR: .....  $\pm 1^\circ$   
TWO PLACE DECIMAL: .....  $\pm .01$   
THREE PLACE DECIMAL: ..  $\pm .005$

## SUPER POWER EZ

### CUSTOM OPTIONS

### PART NO. F-194PHBL-NA-C



9889 GARRYMORE LANE  
MISSOULA, MT 59808  
(406) 549-0769  
FAX (406) 549-2602  
www.AquaCreek.com

PROPRIETY AND CONFIDENTIAL INFORMATION  
THIS DRAWING AND ALL INFORMATION CONTAINED HEREIN IS THE SOLE PROPERTY OF AQUA CREEK PRODUCTS LLC. ANY REPRODUCTION IN PART OR AS A WHOLE WITHOUT WRITTEN PERMISSION FROM AQUA CREEK IS PROHIBITED.  
\*SPECIFICATIONS ARE SUBJECT TO CHANGE WITHOUT NOTICE

REVISIONS			
REV.	DESCRIPTION	DATE	APPROVED
P1	PRODUCTION RELEASE	4/7/2021	J.MAXWELL