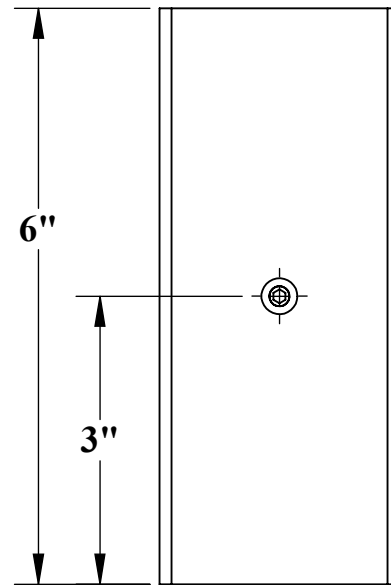
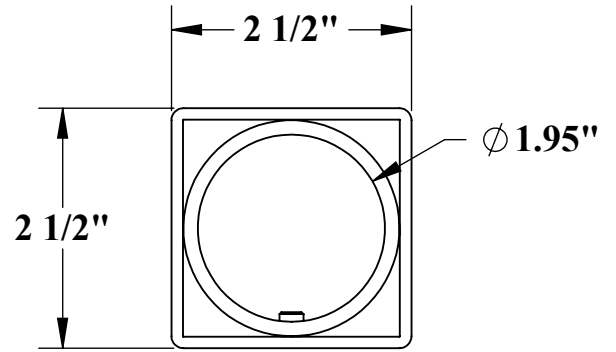
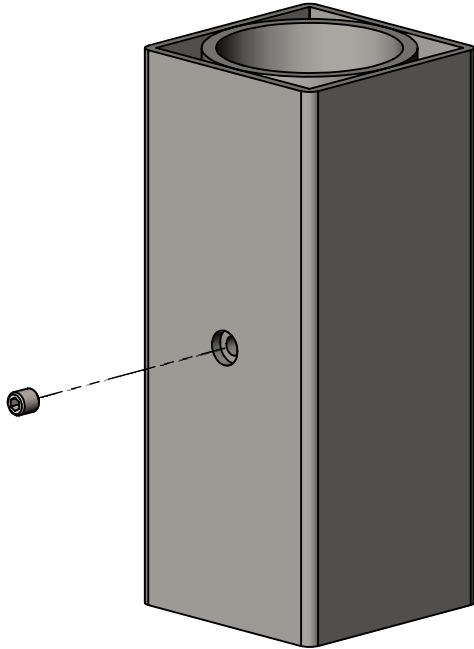


SCOUT-SPLASH ADAPTER



SPECIFICATIONS:

MATERIAL:

OUTER TUBE: 2 1/2" SQ. X .120" WALL TUBING, TYPE 304 SS

INNER TUBE: 2" SCH-80 PIPE, TYPE 304 SS

SETSCREW: 1/4"-20 X 3/8" SETSCREW, TYPE 316 SS

WEIGHT: 3.8 LBS

NOTE: THE SCOUT-SPLASH ADAPTER IS ATTACHED TO THE LIFT (POST) AND STAYS ON THE LIFT WHEN REMOVED FROM THE ANCHOR.



9889 GARRYMORE LANE
MISSOULA, MT 59808
(406) 549-0769
FAX (406) 549-2602

NOTE:
*SPECIFICATIONS ARE SUBJECT TO CHANGE WITHOUT NOTICE

PRODUCT:		SPLASH ADAPTER	
PART #:		F-820	
SCALE:	1:2	DATE:	6/13/2017
DRAWN BY:	KR	REVISION:	A