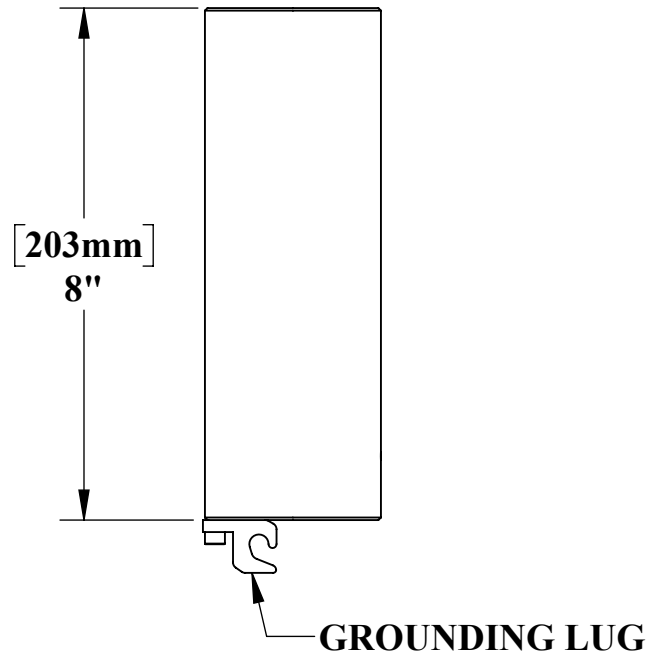
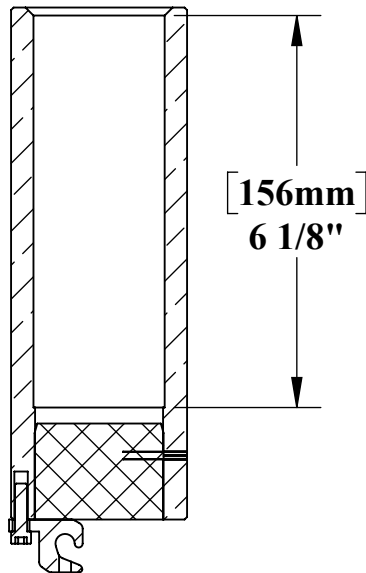
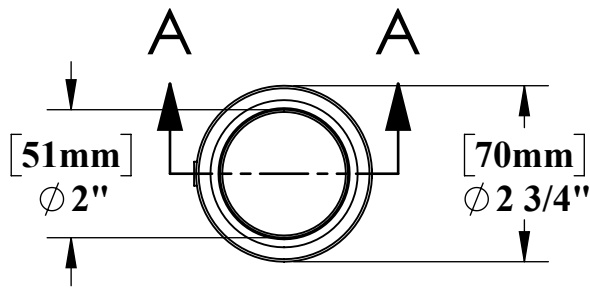


REVOLUTION ANCHOR SPEC



SECTION A-A

SPECIFICATIONS:

THE REVOLUTION LIFT ANCHOR SHALL BE CONSTRUCTED OF BRONZE WITH A COPPER GROUNDING LUG. THE O.D. OF THE ANCHOR SHALL BE 2 7/8" [73mm], AND SHALL ACCOMMODATE A 2" [51mm] DIAMETER, 6" [152mm] LONG POST. A PROTECTIVE, STAINLESS STEEL CAP SHALL BE INCLUDED FOR WHEN NOT IN USE.



9889 GARRYMORE LANE
 MISSOULA, MT 59808
 (406) 549-0769
 FAX (406) 549-2602

NOTE:
 *SPECIFICATIONS ARE SUBJECT TO CHANGE WITHOUT NOTICE

PRODUCT: REVOLUTION ANCHOR	
PART #: F-710RLA	
SCALE: 1:3	DATE: 8/9/2018
DRAWN BY: KR	REVISION: A