



THE LEADERS IN RECREATION, FITNESS, AND ABILITY!

9889 Garrymore Ln

Missoula, MT 59808

888-687-3552 | +1-406-549-0769

www.aquacreek.com

# Admiral Anchor Adapter

**PART #: F-04AAA**

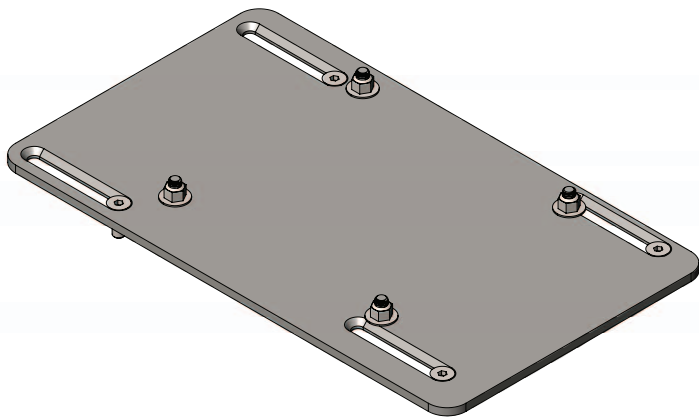
## **MANDATORY**

LEAVE THIS MANUAL WITH LIFT OWNER

Read and follow all instructions.

Lift safety can only be ensured if the lift is installed and operated according to these instructions.

- NEVER permit children to play on or around the lift
- Do not allow children to use the lift without adult supervision
- NEVER apply direct water pressure to the electronics
- NEVER use the lift with a dry pool



## **READ CAREFULLY**

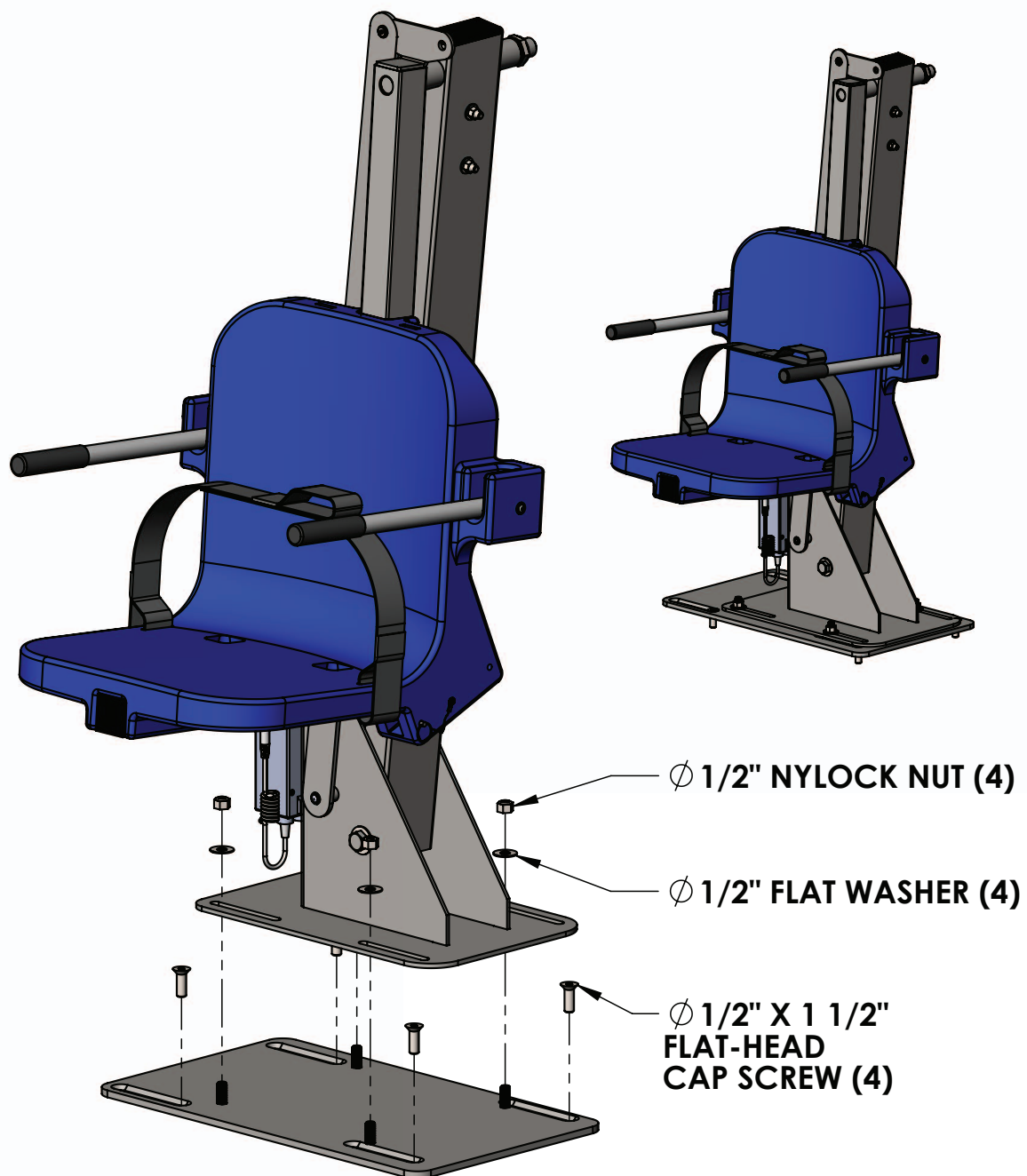
Check entire box and all packing materials for parts. Before beginning assembly, read the instructions and identify parts using the figures and parts listed in this document.

It is critical that all parts be carefully inspected prior to installation. If any damage occurred in transit, Aqua Creek Products, LLC must be notified within three days of receipt of unit.

Proper installation cannot be overstressed, as an improper installation voids Aqua Creek's warranty and may affect the safety of the user.

# Admiral Anchor Adapter Assembly

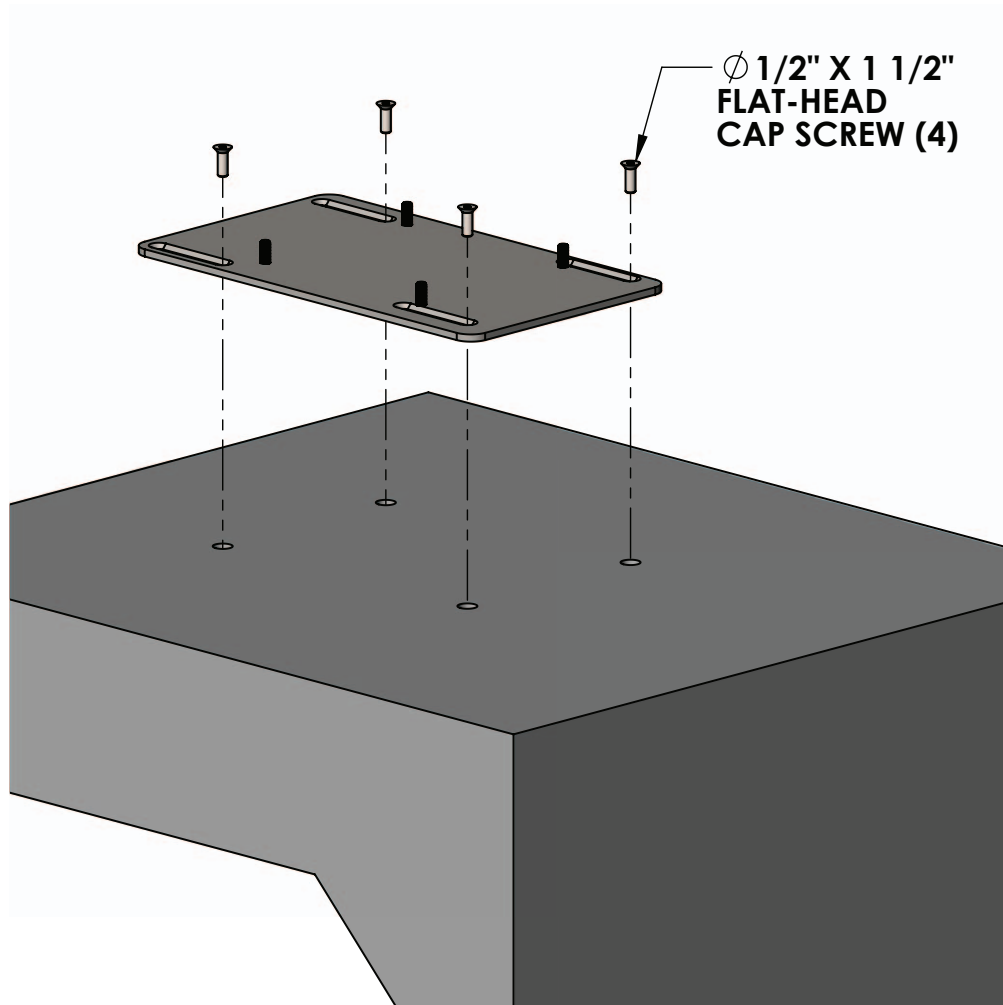
The Admiral adapter plate is used to convert the old-style Pro Pool lift anchor-bolt pattern to the new Admiral anchor bolt pattern. The diagram below gives an overview of the assembly, and shows how the lift and adapter-plate are bolted to the deck.



# Step 1: Bolt The Adapter To The Concrete

The Admiral adapter bolts directly to the pre-installed anchors of the old Pro Pool series anchor pattern. Installation will require;

5/16" HEX WRENCH OR ALLEN KEY/WRENCH  
ANTI-SEIZE LUBE



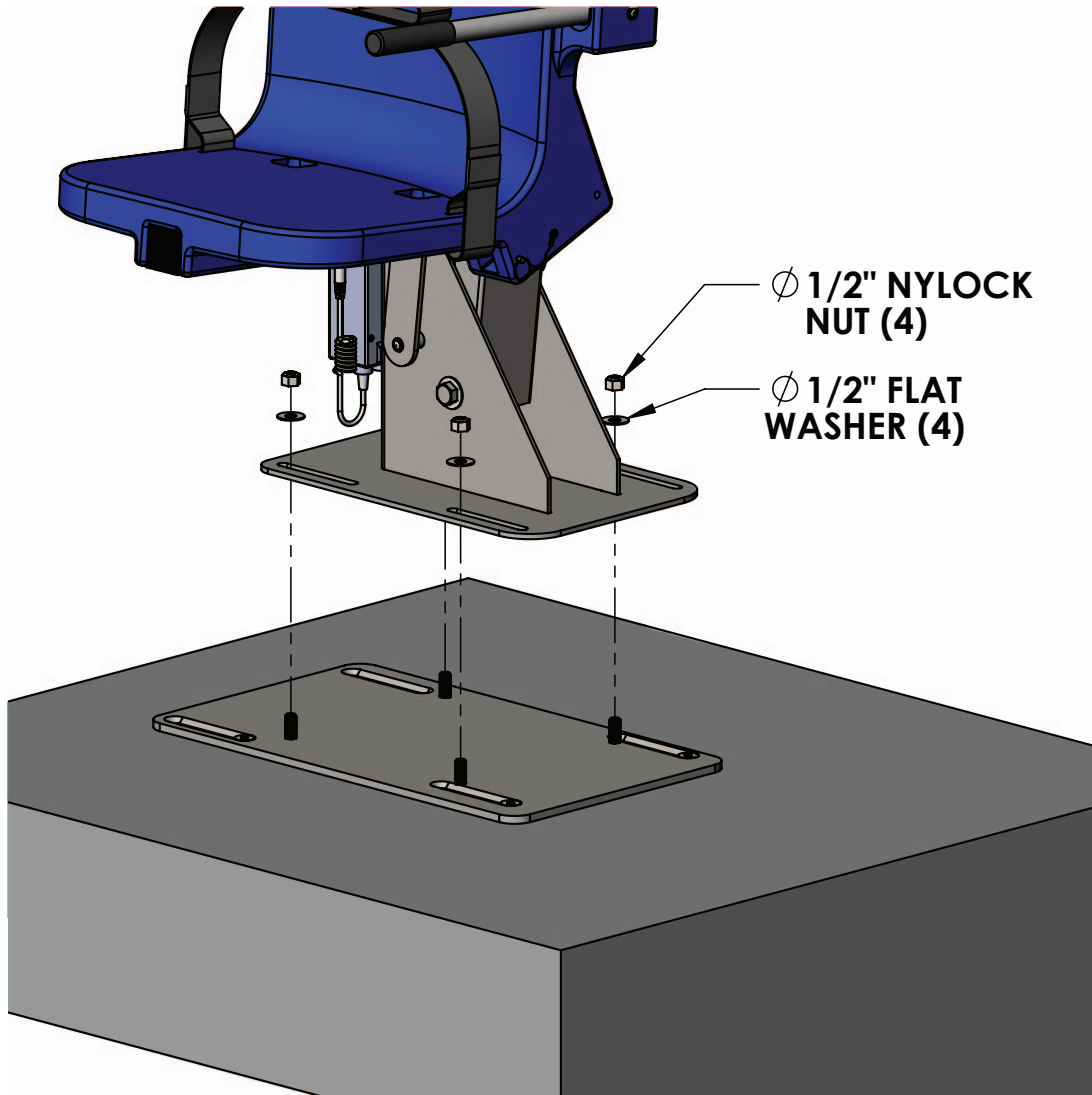
Tighten the cap-screws until snug.

Proceed to STEP 2 to install the lift on the deck.

# Step 2: Install The Lift To The Adapter

With the adapter plate bolted to the concrete, the lift is ready to be installed on the plate. The diagram below shows the process, with the washers and nylock nuts being installed onto the welded studs of the adapter plate.

3/4" WRENCH OR SOCKET  
ANTI-SEIZE LUBE



Apply the ANTI-SEIZE lube to the stud-threads before installing the nylock nuts. This will reduce corrosion and prevent the stainless steel from galling.

# Proper Placement of Lift

Both the adapter plate and the base plate on the lift are slotted for installation convenience. For ADA applications, the front edge of the lift's base plate has to be 13" from the pool or spa wall in order to obtain the ADA requirement of 16" from the pool wall to the centerline of the chair. For non-ADA applications, the lift may be closer to the pool's edge but 13" should remain the maximum as the chair may scrape the pool wall if setback any further than that. See the figure below.

