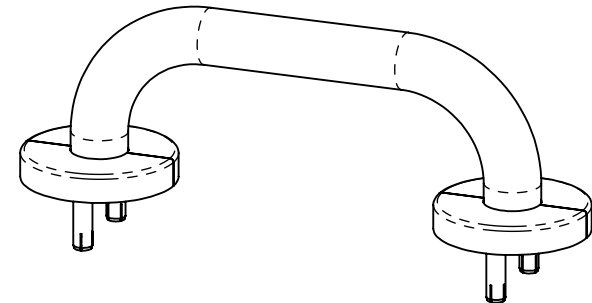
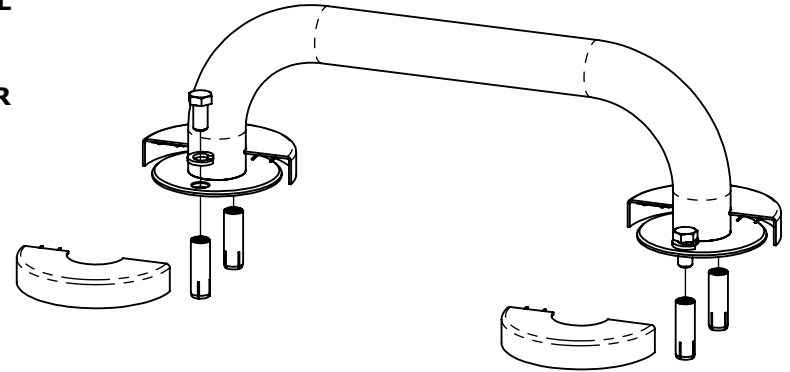
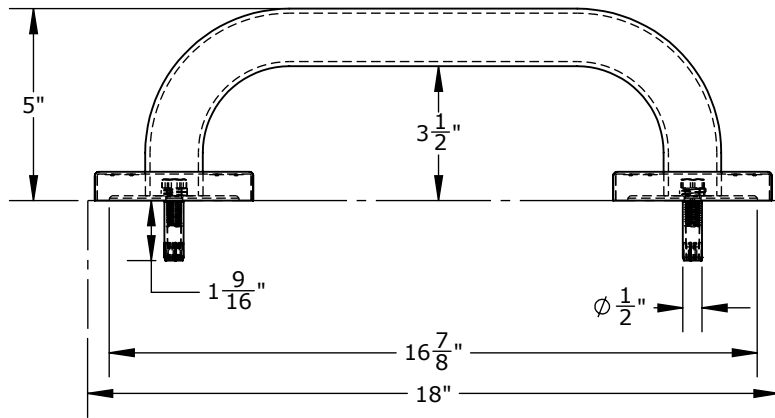
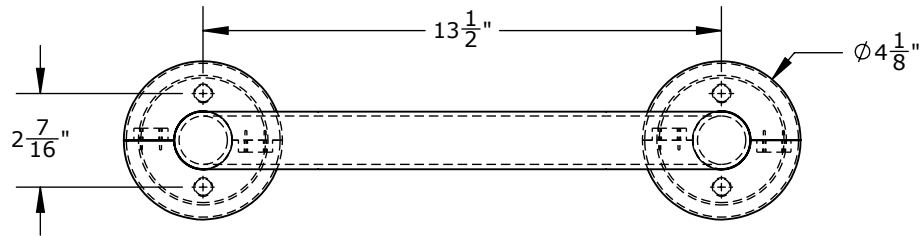


THE AQUA CREEK PRODUCTS ADA TRANSFER RAIL MEASURES 5" ABOVE THE FINISHED SURFACE. THE ADA TRANSFER RAIL IS DESIGNED TO RUN PARALLEL TO THE DECK SURFACE.

THE AQUA CREEK PRODUCTS ADA TRANSFER RAIL SHALL BE FABRICATED OF 1.50" O.D. X .120" WALL THICKNESS 316L STAINLESS STEEL. THE TRANSFER RAIL SHALL BE POLISHED TO A NEAR #7 FINISH OR A 600 GRIT.

THE AQUA CREEK PRODUCTS ADA TRANSFER RAIL SHALL BE SUPPORTED BY FOUR (4) DROP IN ANCHORS (INCLUDED), AND SHALL BE COVERED BY TWO (2) SPLIT STAINLESS STEEL ESCUTCHEONS (INCLUDED).



**TRUPRO - ADA TRANSFER GRAB RAIL - 18.00" X 1.50 OD X .120 WALL 316LSS - W/FLANGE**

CATALOG NO. TTR-FG18-461  
PART NO. INV03758



9889 GARRYMORE LANE  
MISSOULA, MT 59808  
(406) 549-0769  
FAX (406) 549-2602  
www.AquaCreek.com

PROPRIETARY AND CONFIDENTIAL INFORMATION

THIS DRAWING AND ALL INFORMATION CONTAINED HEREIN IS THE SOLE PROPERTY OF AQUA CREEK PRODUCTS LLC. ANY REPRODUCTION IN PART OR AS A WHOLE WITHOUT WRITTEN PERMISSION FROM AQUA CREEK IS PROHIBITED.

\*SPECIFICATIONS ARE SUBJECT TO CHANGE WITHOUT NOTICE

DIMENSIONS ARE IN INCHES  
UNLESS OTHERWISE SHOWN  
FRACTIONAL: ..... ±1/16  
ANGULAR: ..... ±1°  
TWO PLACE DECIMAL: .... ±.01  
THREE PLACE DECIMAL: .. ±.005

MATERIAL: 316L STAINLESS STEEL  
FINISH: NEAR #7 OR 600 GRIT  
APPROX. WEIGHT: 4.62 LBS.

MODEL  
1

TRUPRO - ADA TRANSFER GRAB RAIL - 18.00" X 1.50 OD X .120 WALL 316LSS - W/FLANGE - INV03758

SCALE  
1:5  
SHEET  
1