

PROJECT INFORMATION

PROJECT NAME: _____ RESIDENTIAL COMMERCIAL

DISTRIBUTOR CONTACT INFORMATION

NAME: _____ CONTACT NAME: _____

ADDRESS: _____ EMAIL: _____

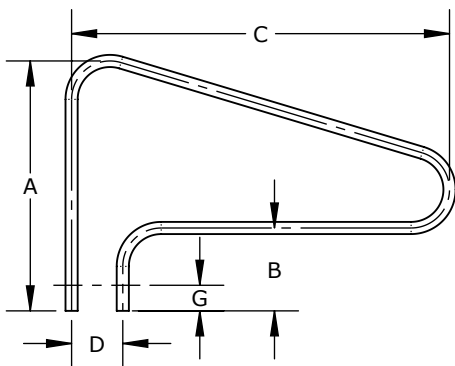
PHONE: _____ CITY: _____ STATE: _____ ZIP: _____

MATERIAL

- 1.50" X .120" POLISHED 316 STAINLESS STEEL
- 1.90" X .109" POLISHED 304 STAINLESS STEEL
- 1.90" X .065" POLISHED 304 STAINLESS STEEL
- OTHER, PLEASE SPECIFY: _____

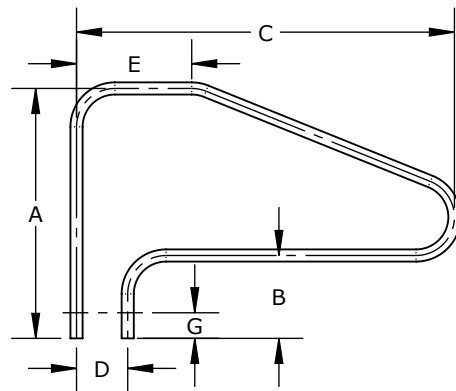
REQUESTED HANDRAIL PATTERN

3-BEND / FIGURE 4 (SINGLE PIECE)



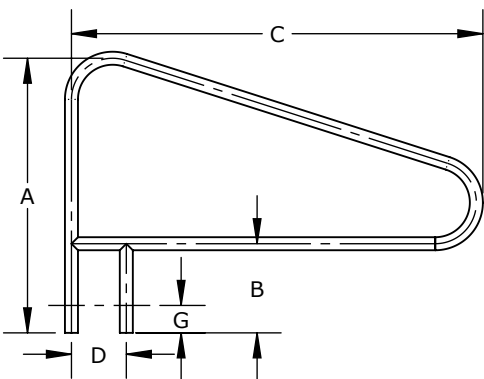
A _____
B _____
C _____
D _____
G _____
QTY _____

4-BEND



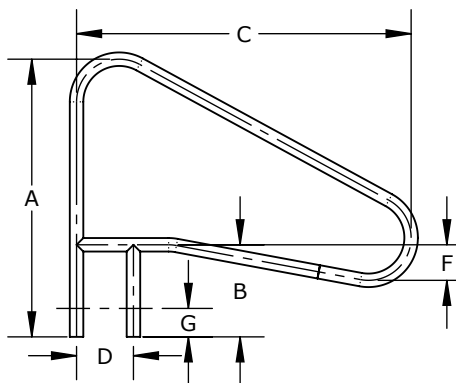
A _____
B _____
C _____
D _____
E _____
G _____
QTY _____

BRACED



A _____
B _____
C _____
D _____
G _____
QTY _____

LONG REACH



A _____
B _____
C _____
D _____
F _____
G _____
QTY _____