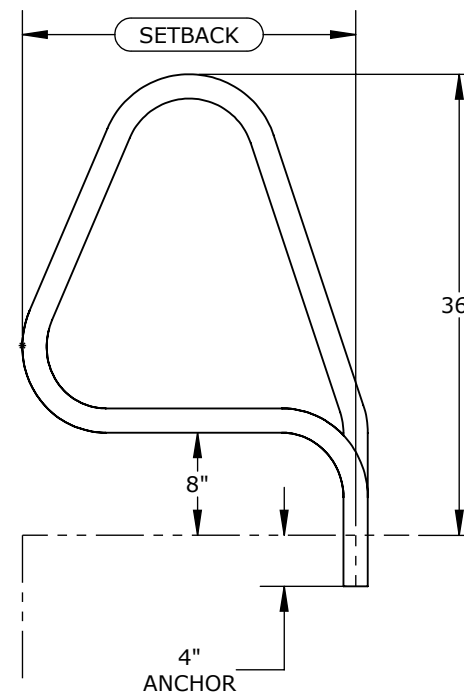
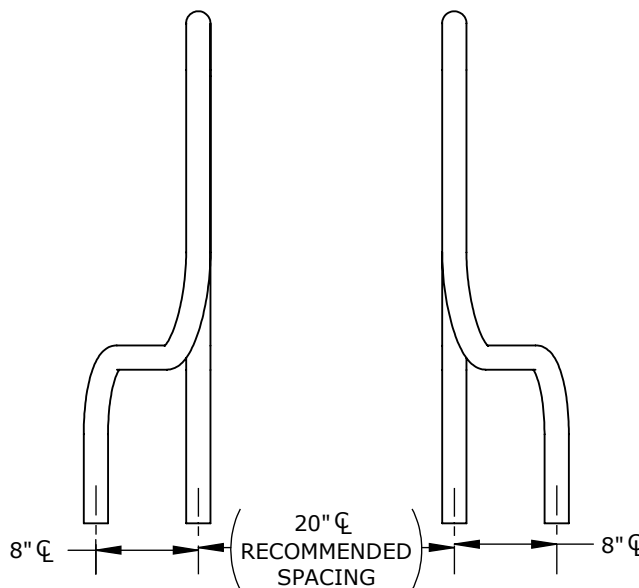
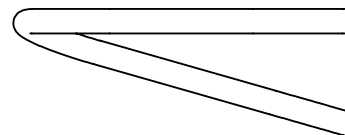
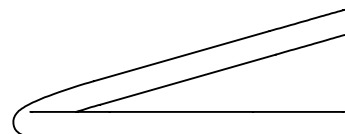


THE AQUA CREEK PRODUCTS TRUPRO PACIFIC PRETZEL BEND GRAB RAIL IS A 2024 INTERNATIONAL SWIMMING POOL & SPA CODE (ISPS) AND 2024 MODEL AQUATIC HEALTH CODE (MAHC) COMPLIANT HAND RAIL MEASURING 36" ABOVE THE FINISHED DECK SURFACE.

THE RAIL SHALL BE FABRICATED OF CORROSION-RESISTANT STAINLESS STEEL WITH A VARIETY OF PROTECTIVE FINISHES.

THE PACIFIC PRETZEL BEND GRAB RAIL SHALL HAVE FOUR (4) WRINKLE-FREE BENDS AVAILABLE IN MULTIPLE SETBACK CONFIGURATIONS.

THE AQUA CREEK PRODUCTS PRETZEL BEND GRAB RAIL SHALL BE SUPPORTED BY FOUR (4) 4" BRONZE WEDGE ANCHORS (SOLD SEPARATELY). OPTIONAL STAINLESS STEEL ESCUCHEONS ARE ALSO AVAILABLE (SOLD SEPARATELY).



## TRUPRO - PACIFIC PRETZEL BEND GRAB RAIL

CATALOG NO. TGR-PPXX-XXX

PART NO. SEE TABLE

TRUPRO - PACIFIC PRETZEL BEND GRAB RAIL



9889 GARRYMORE LANE  
MISSOULA, MT 59808  
(406) 549-0769  
FAX (406) 549-2602  
www.AquaCreek.com

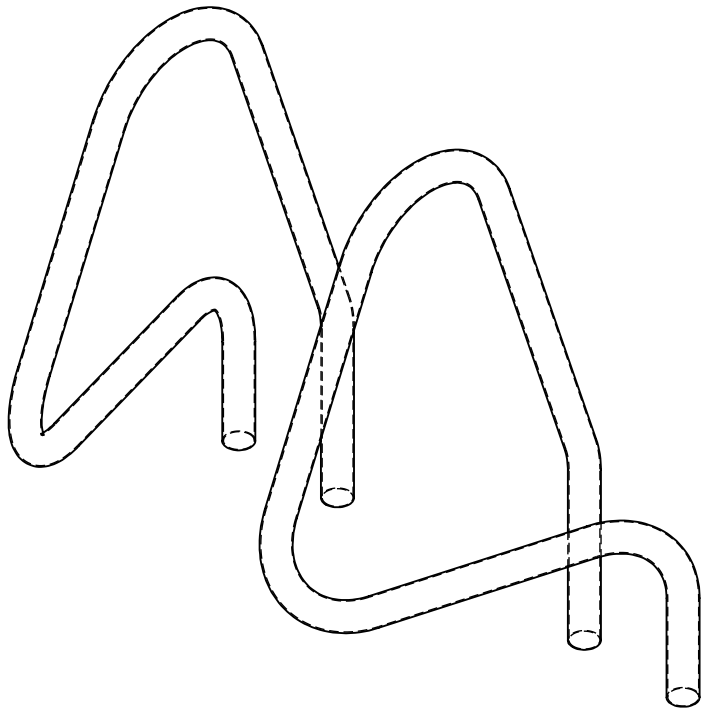
PROPRIETARY AND CONFIDENTIAL INFORMATION  
THIS DRAWING AND ALL INFORMATION CONTAINED HEREIN IS THE SOLE PROPERTY OF AQUA CREEK PRODUCTS LLC. ANY REPRODUCTION IN PART OR AS A WHOLE WITHOUT WRITTEN PERMISSION FROM AQUA CREEK IS PROHIBITED.  
\*SPECIFICATIONS ARE SUBJECT TO CHANGE WITHOUT NOTICE

DIMENSIONS ARE IN INCHES  
UNLESS OTHERWISE SHOWN  
FRACTIONAL: ..... ± 1/4  
ANGULAR: ..... ± 1°  
TWO PLACE DECIMAL: .... ± 0.01  
THREE PLACE DECIMAL: .. ± 0.005

MATERIAL: 304/316 STAINLESS STEEL  
FINISH: TBD  
APPROX. WEIGHT: TBD

SCALE  
1:15  
SHEET  
1

# RAIL CATALOG NUMBERING SCHEME



Column →	<b>A</b>	<b>B</b>	-	<b>C</b>	<b>D</b>	<b>E</b>	<b>F</b>	<b>G</b>	<b>H</b>	
Part No	<u>I</u>	<u>GR</u>	-	<u>PB</u>	<u>X</u>	<u>1</u>	-	<u>1</u>	<u>4</u>	<u>1</u>

Definition ↓		
<b>A Series Name</b>	T	= TruPro
<b>B Rail Class</b>	GR	= Grab Rails
<b>C Rail Type</b>	PP	= Pacific Pretzel Bend
<b>D N/A</b>	-	- -
<b>E Setback</b>	17	= 54 Inches Long
	26	= 96 Inches Long
	30	= 48 Inches Long
<b>F Material Type</b>	1	= 1.90 x .065
	2	= 1.90 x .109
	4	= 1.50 x .120
<b>G Material Grade</b>	4	= 304L Stainless Steel
	6	= 316L Marine Grade Stainless Steel

CURRENT STANDARD OPTIONS:

Catalog#	INV#	Description
TGR-PP26-461	INV03768	TRUPRO - PACIFIC PRETZEL BEND GRAB RAIL - 26.00" SETBACK - 1.50" OD X .120 WALL - 316LSS
TGR-PP26-141	INV04358	TRUPRO - PACIFIC PRETZEL BEND GRAB RAIL - 26.00" SETBACK - 1.90" OD X .065 WALL - 304LSS
TGR-PP26-241	INV04369	TRUPRO - PACIFIC PRETZEL BEND GRAB RAIL - 26.00" SETBACK - 1.90" OD X .109 WALL - 304LSS
TGR-PP30-461	INV03771	TRUPRO - PACIFIC PRETZEL BEND GRAB RAIL - 30.00" SETBACK - 1.50" OD X .120 WALL - 316LSS
TGR-PP30-141	INV04359	TRUPRO - PACIFIC PRETZEL BEND GRAB RAIL - 30.00" SETBACK - 1.90" OD X .065 WALL - 304LSS
TGR-PP30-241	INV03773	TRUPRO - PACIFIC PRETZEL BEND GRAB RAIL - 30.00" SETBACK - 1.90" OD X .109 WALL - 304LSS

## TRUPRO - PACIFIC PRETZEL BEND GRAB RAIL

CATALOG NO. TGR-PPXX-XXX  
PART NO. SEE TABLE



9889 GARRYMORE LANE  
MISSOULA, MT 59808  
(406) 549-0769  
FAX (406) 549-2602  
www.AquaCreek.com

PROPRIETARY AND CONFIDENTIAL INFORMATION  
THIS DRAWING AND ALL INFORMATION CONTAINED HEREIN IS THE SOLE PROPERTY OF AQUA CREEK PRODUCTS LLC. ANY REPRODUCTION IN PART OR AS A WHOLE WITHOUT WRITTEN PERMISSION FROM AQUA CREEK IS PROHIBITED.  
\*SPECIFICATIONS ARE SUBJECT TO CHANGE WITHOUT NOTICE

DIMENSIONS ARE IN INCHES  
UNLESS OTHERWISE SHOWN  
FRACTIONAL: ..... ±1/4  
ANGULAR: ..... ±1°  
TWO PLACE DECIMAL: .... ±.01  
THREE PLACE DECIMAL: .. ±.005

MATERIAL: 304/316 STAINLESS STEEL  
FINISH: TBD  
APPROX. WEIGHT: TBD

TRUPRO - PACIFIC PRETZEL BEND GRAB RAIL