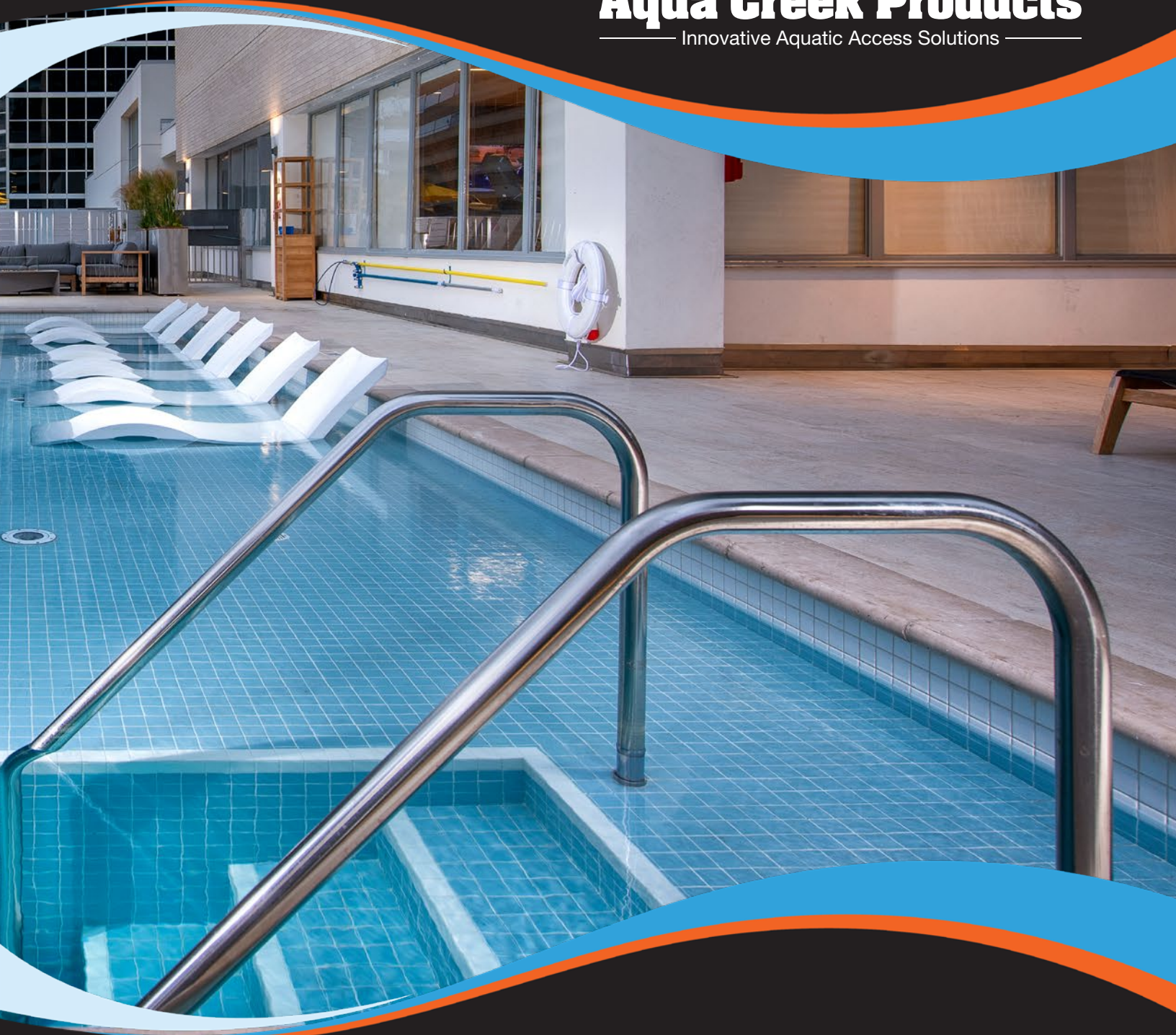




Aqua Creek Products
— Innovative Aquatic Access Solutions —



RAILS & LADDERS

PRODUCT GUIDE

POOL RAILS • POOL LADDERS • AQUATIC ACCESS



TABLE OF CONTENTS

03 GENERAL INFO

04 ANCHORS & HARDWARE

05 TRUPRO RAILS

- 05 Pretzel Bend Rails
- 06 Pacific Pretzel Bend Rails
- 07 Figure 4 Rails
- 08 Adjustable Figure 4 Rails
- 09 2 Bend Stair Rail
- 10 3 Bend Stair Rail
- 11 3 Bend Deck Rail
- 12 4 Bend Deck Rail
- 13 Long Reach Deck Rail
- 14 ADA Grab Rails

15 TRUPRO LADDERS

- 16 Standard Pool Ladder (2 Tread)
- 16 Standard Pool Ladder (3 Tread)
- 16 Standard Pool Ladder (4 Tread)
- 17 Standard Pool Ladder (5 Tread)
- 17 Cross-Braced Pool Ladder (2 Tread)
- 17 Cross-Braced Pool Ladder (3 Tread)
- 18 Cross-Braced Pool Ladder (4 Tread)
- 18 Cross-Braced Pool Ladder (5 Tread)

GENERAL INFO

SAFETY AND PEACE OF MIND FOR EVERY POOL EXPERIENCE

When you choose Aqua Creek Products, you're choosing more than pool equipment - you're choosing freedom. Our rails and ladders are engineered to ensure that everyone in your family can enjoy the pool safely, confidently, and independently, regardless of age or mobility level.

Built tough enough for commercial facilities, refined enough for your backyard, and engineered with decades of accessibility expertise - because the most beautiful pool is one that everyone can use safely.

CUSTOM RAILS ENGINEERED FOR YOUR UNIQUE REQUIREMENTS

Every pool is different, and every user has specific needs. That's why Aqua Creek Products offers fully customized rail solutions designed to fit your exact specifications, site conditions, and accessibility requirements.

Our engineering team works directly with you to create rails that accommodate unusual pool shapes, challenging deck configurations, or user-specific mobility needs. Whether you need extended reach or special angles, we'll design and manufacture a rail system that provides optimal safety and functionality for your specific situation.

Contact our sales team today to discuss your custom rail requirements.

ADA COMPLIANT RAILS

Ensure your pool facility meets all Americans with Disabilities Act requirements with Aqua Creek Products' comprehensive line of ADA compliant rails. Designed and tested to exceed federal accessibility standards, our rails ensure safe, reliable access – because accessibility isn't just a requirement, it's the right thing to do.

Our ADA compliant rails are engineered to withstand heavy commercial use while maintaining their safety performance. Constructed from corrosion-resistant stainless steel, they resist wear, vandalism, and the elements while delivering reliable performance year after year.

PREMIUM MATERIALS AND FINISHES FOR LASTING PERFORMANCE

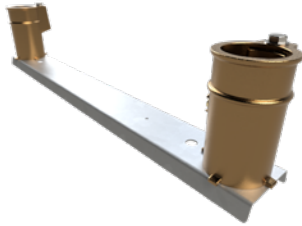
The foundation of every pool rail starts with quality materials and expert craftsmanship. Aqua Creek Products uses only the finest materials and professional-grade finishes to ensure your rails maintain their strength, appearance, and safety performance through years of pool use and weather exposure.

Tubing Options:

Outer Diameter	Wall Thickness	Material
1.90"	.065"	304LSS
1.90"	.109"	304LSS
1.50"	.120"	316LSS

ANCHORS & HARDWARE

TRUPRO



WEDGE ANCHOR

Part Number	Description	Inner Diameter	Depth
WA-XX194Z	WEDGE ANCHOR	1.90"	4"
WA-XX196Z	WEDGE ANCHOR	1.90"	6"
WA-XX154Z	WEDGE ANCHOR	1.50"	4"
WA-XX156Z	WEDGE ANCHOR	1.50"	6"

STANCHION ANCHOR

Part Number	Description	Inner Diameter	Depth
SA-XX156Z	STANCHION ANCHOR	1.50"	6"
SA-XX196Z	STANCHION ANCHOR	1.90"	6"

CHANNEL ANCHOR

Part Number	Description	Inner Diameter	Depth	Length
AC-08194ZMSG	ANCHOR CHANNEL KIT	1.90"	4"	08.00"
AC-20194ZMSG	ANCHOR CHANNEL KIT	1.90"	4"	20.00"
AC-08154ZMSG	ANCHOR CHANNEL KIT	1.50"	4"	08.00"
AC-20154ZMSG	ANCHOR CHANNEL KIT	1.50"	4"	20.00"

ESCUTCHEON PLATE

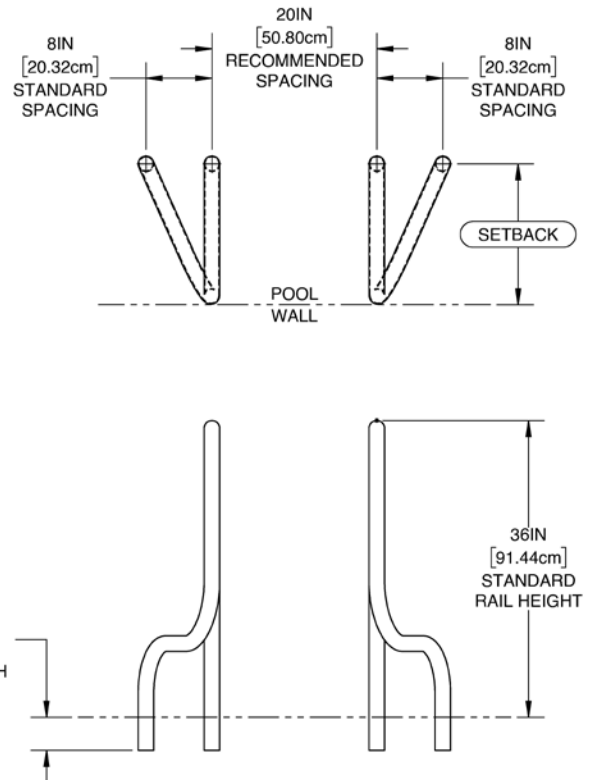
Part Number	Description	Inner Diameter	Outer Diameter	Material
EP-XX19454	ESCUTCHEON PLATE	1.90"	4.50"	316SS
EP-XX15454	ESCUTCHEON PLATE	1.50"	4.50"	316SS
SE-XX15456	SPLIT ESCUTCHEON PLATE	1.50"	4.125"	316SS

STANCHION POST

Part Number	Description	Height	Outer Diameter	Material
SP-54191454	STANCHION POST	54"	1.90"	304SS
SP-54191456	STANCHION POST	54"	1.90"	316SS
SP-96191454	STANCHION POST	96"	1.90"	304SS
SP-96191456	STANCHION POST	96"	1.90"	316SS
SP-SLRNG	STANCHION POST SLIDING RING	N/A	N/A	316SS

PRETZEL BEND RAILS

TRUPRO



DESCRIPTION:

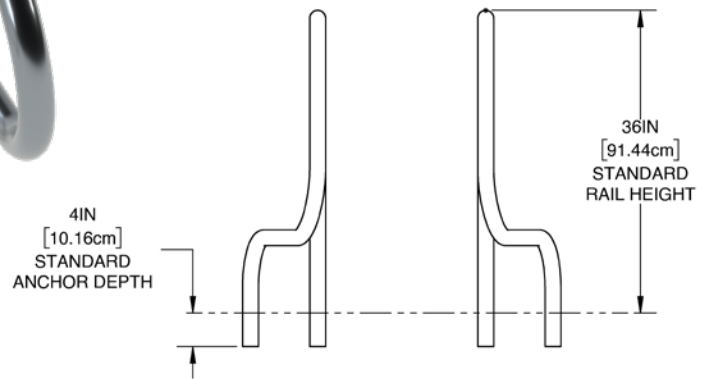
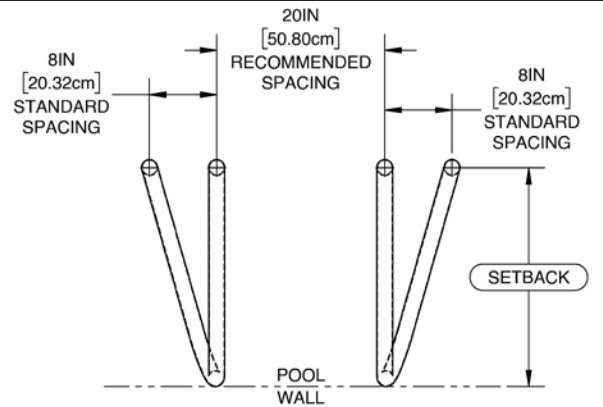
- Constructed from corrosion-resistant stainless steel for long-lasting durability.
- Marine-grade stainless option available for saltwater or heavily chlorinated pools.
- Smooth pretzel bend provides a continuous, ergonomic grip.
- Fully deck-mounted with no pool overhang for unobstructed swim zones.
- Meets U.S. ADA Standards for Accessible Design when installed with specified anchors.
- Polished stainless finish offers a sleek, modern look and easy cleaning.
- Sold in pairs. Anchors and escutcheons sold separately.

PRETZEL BEND RAILS

Part Number	Setback	OD	Wall	Material
TGR-PB17-141	17.00"	1.90"	.065	304LSS
TGR-PB17-241	17.00"	1.90"	.109	304LSS
TGR-PB17-461	17.00"	1.50"	.120	316LSS
TGR-PB26-141	26.00"	1.90"	.065	304LSS
TGR-PB26-241	26.00"	1.90"	.109	304LSS
TGR-PB26-461	26.00"	1.50"	.120	316LSS
TGR-PB30-141	30.00"	1.90"	.065	304LSS
TGR-PB30-241	30.00"	1.90"	.109	304LSS
TGR-PB30-461	30.00"	1.50"	.120	316LSS

PACIFIC PRETZEL BEND RAILS

TRUPRO



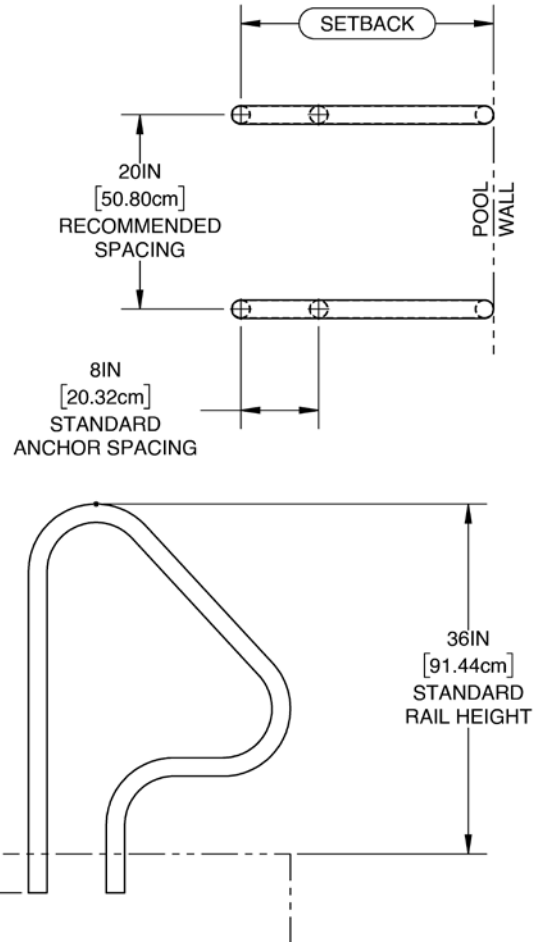
DESCRIPTION:

- Constructed from corrosion-resistant stainless steel for long-lasting durability.
- Marine-grade stainless option available for saltwater or heavily chlorinated pools.
- Pacific Pretzel bend adds an extra curve for enhanced grip comfort and stability.
- Fully deck-mounted with no pool overhang for unobstructed swim zones.
- Meets U.S. ADA Standards for Accessible Design when installed with specified anchors.
- Polished stainless finish offers a sleek, modern look and easy cleaning.
- Sold in pairs. Anchors and escutcheons sold separately.

PACIFIC PRETZEL BEND RAILS

Part Number	Setback	OD	Wall	Material
TGR-PP26-141	26.00"	1.90"	.065	304LSS
TGR-PP26-241	26.00"	1.90"	.109	304LSS
TGR-PP26-461	26.00"	1.50"	.120	316LSS
TGR-PP30-141	30.00"	1.90"	.065	304LSS
TGR-PP30-241	30.00"	1.90"	.109	304LSS
TGR-PP30-461	30.00"	1.50"	.120	316LSS

FIGURE 4 RAILS TRUPRO



DESCRIPTION:

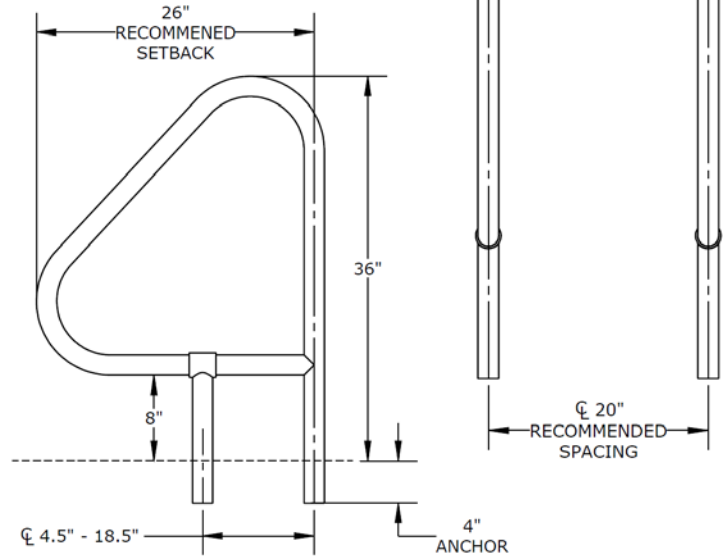
- Constructed from corrosion-resistant stainless steel for long-lasting durability.
- Marine-grade stainless option available for saltwater or heavily chlorinated pools.
- Space-saving Figure 4 design mounts entirely on the deck to maximize swim zone.
- Smooth, ergonomic contour aligns with natural hand movement.
- Meets U.S. ADA Standards for Accessible Design when installed with specified anchors.
- Polished stainless finish offers a sleek, modern look and easy cleaning.
- Sold in pairs. Anchors and escutcheons sold separately.

FIGURE 4 RAILS

Part Number	Setback	OD	Wall	Material
TGR-F426-141	26.00"	1.90"	.065	304LSS
TGR-F426-241	26.00"	1.90"	.109	304LSS
TGR-F426-461	26.00"	1.50"	.120	316LSS
TGR-F430-141	30.00"	1.90"	.065	304LSS
TGR-F430-241	30.00"	1.90"	.109	304LSS
TGR-F430-461	30.00"	1.50"	.120	316LSS

ADJUSTABLE FIGURE 4 RAILS

TRUPRO



DESCRIPTION:

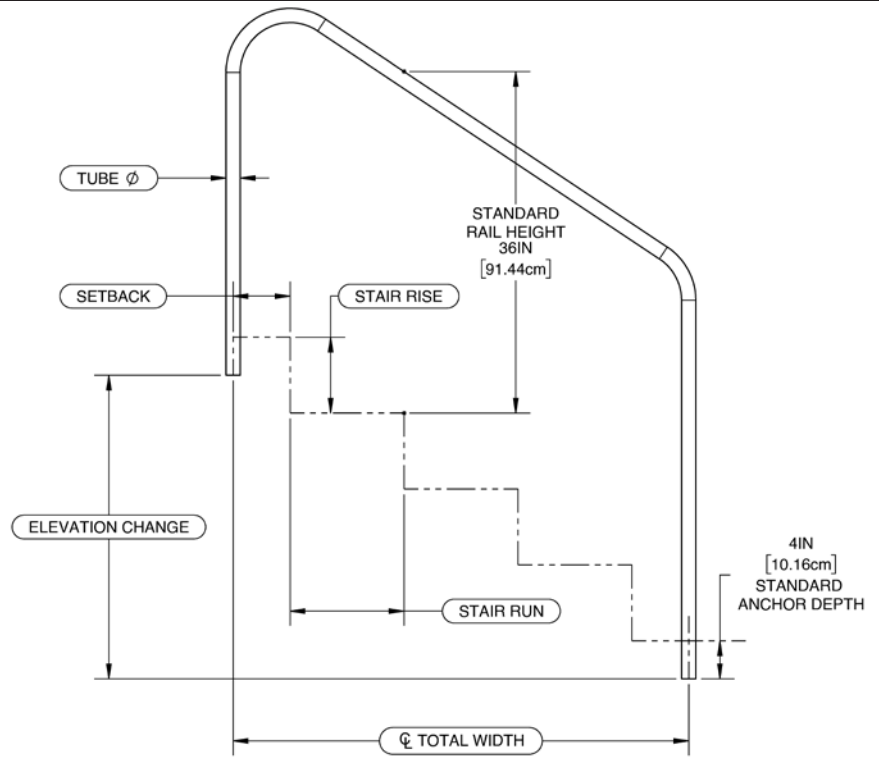
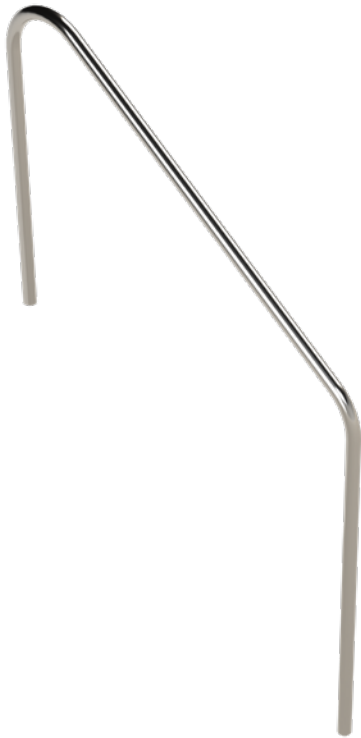
- Constructed from corrosion-resistant stainless steel for long-lasting durability.
- Marine-grade stainless option available for saltwater or heavily chlorinated pools.
- Adjustable design features one movable leg to accommodate various anchor distances.
- Smooth, ergonomic contour aligns with natural hand movement.
- Meets U.S. ADA Standards for Accessible Design when installed with specified anchors.
- Polished stainless finish offers a sleek, modern look and easy cleaning.
- Sold in pairs. Anchors and escutcheons sold separately.

ADJUSTABLE FIGURE 4 RAILS

Part Number	Setback	OD	Wall	Material
TGR-A426-141	26.00"	1.90"	.065	304LSS
TGR-A426-241	26.00"	1.90"	.109	304LSS
TGR-A426-461	26.00"	1.50"	.120	316LSS

2 BEND STAIR RAIL

TRUPRO



DESCRIPTION:

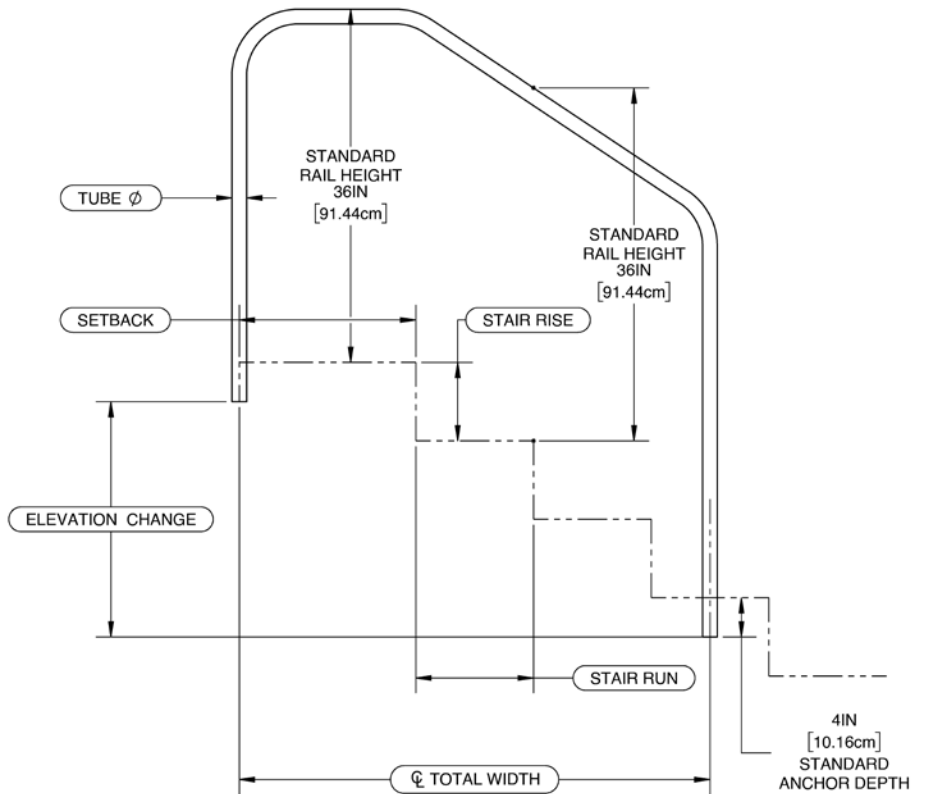
- Constructed from corrosion-resistant stainless steel for long-lasting durability.
- Marine-grade stainless option available for saltwater or heavily chlorinated pools.
- Two smooth 6-inch radius bends provide a natural gripping angle.
- Designed for pool and spa steps in residential or commercial settings.
- Meets U.S. ADA Standards for Accessible Design when installed with specified anchors.
- Polished stainless finish offers a sleek, modern look and easy cleaning.
- Sold individually. Anchors and escutcheons sold separately.

2 BEND STAIR RAIL

Part Number	Total Width	OD	Wall	Material
TSR-2B48-141	48.00"	1.90"	.065	304LSS
TSR-2B48-241	48.00"	1.90"	.109	304LSS
TSR-2B48-461	48.00"	1.50"	.120	316LSS
TSR-2B60-141	60.00"	1.90"	.065	304LSS
TSR-2B60-241	60.00"	1.90"	.109	304LSS
TSR-2B60-461	60.00"	1.50"	.120	316LSS
TSR-2B72-141	72.00"	1.90"	.065	304LSS
TSR-2B72-241	72.00"	1.90"	.109	304LSS
TSR-2B72-461	72.00"	1.50"	.120	316LSS

3 BEND STAIR RAIL

TRUPRO



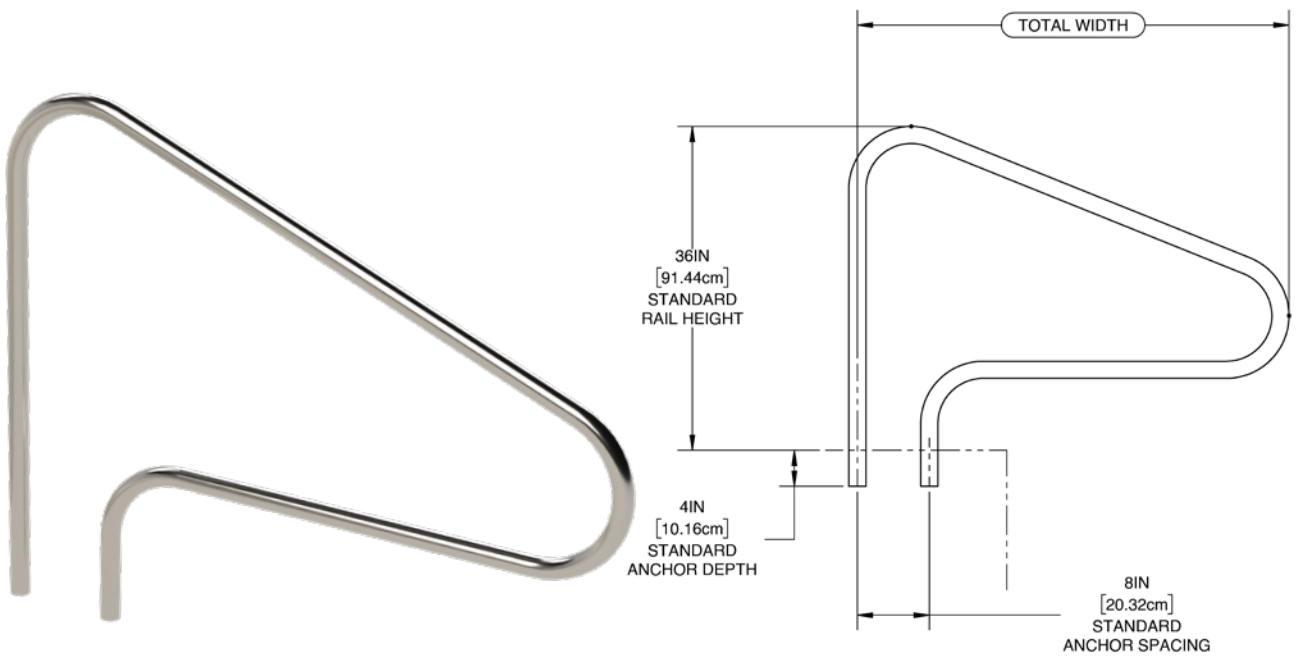
DESCRIPTION:

- Constructed from corrosion-resistant stainless steel for long-lasting durability.
- Marine-grade stainless option available for saltwater or heavily chlorinated pools.
- Three-bend design runs parallel to deck and stairs for enhanced stability.
- Designed for pool and spa steps in residential or commercial settings.
- Meets U.S. ADA Standards for Accessible Design when installed with specified anchors.
- Polished stainless finish offers a sleek, modern look and easy cleaning.
- Sold individually. Anchors and escutcheons sold separately.

3 BEND STAIR RAIL

Part Number	Total Width	OD	Wall	Material
TSR-3B48-141	48.00"	1.90"	.065	304LSS
TSR-3B48-241	48.00"	1.90"	.109	304LSS
TSR-3B48-461	48.00"	1.50"	.120	316LSS
TSR-3B60-141	60.00"	1.90"	.065	304LSS
TSR-3B60-241	60.00"	1.90"	.109	304LSS
TSR-3B60-461	60.00"	1.50"	.120	316LSS
TSR-3B72-141	72.00"	1.90"	.065	304LSS
TSR-3B72-241	72.00"	1.90"	.109	304LSS
TSR-3B72-461	72.00"	1.50"	.120	316LSS

3 BEND DECK RAIL TRUPRO



DESCRIPTION:

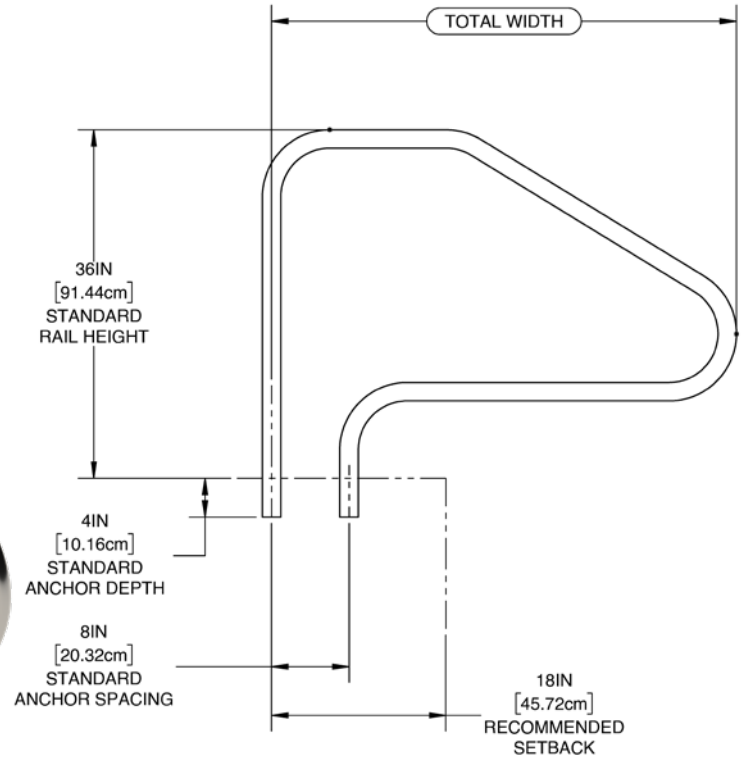
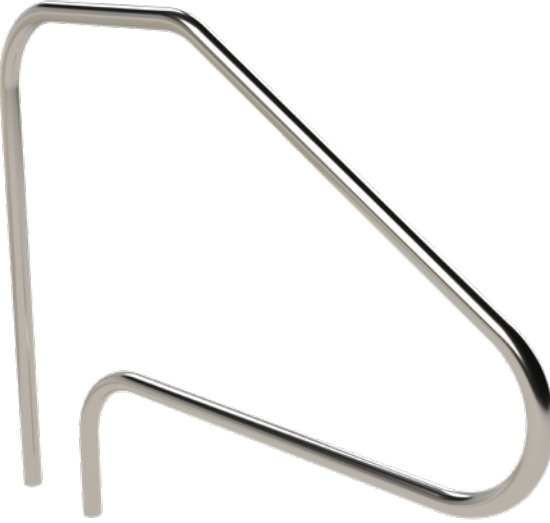
- Constructed from corrosion-resistant stainless steel for long-lasting durability.
- Marine-grade stainless option available for saltwater or heavily chlorinated pools.
- Smooth three-bend contour provides a comfortable grip for safe entry and exit.
- Deck-mounted design extends over the pool edge for secure handhold placement.
- Meets U.S. ADA Standards for Accessible Design when installed with specified anchors.
- Polished stainless finish offers a sleek, modern look and easy cleaning.
- Sold individually. Anchors and escutcheons sold separately.

3 BEND DECK RAIL

Part Number	Total Width	OD	Wall	Material
TDM-3B48-141	48.00"	1.90"	.065	304LSS
TDM-3B48-241	48.00"	1.90"	.109	304LSS
TDM-3B48-461	48.00"	1.50"	.120	316LSS
TDM-3B60-141	60.00"	1.90"	.065	304LSS
TDM-3B60-241	60.00"	1.90"	.109	304LSS
TDM-3B60-461	60.00"	1.50"	.120	316LSS

4 BEND DECK RAIL

TRUPRO



DESCRIPTION:

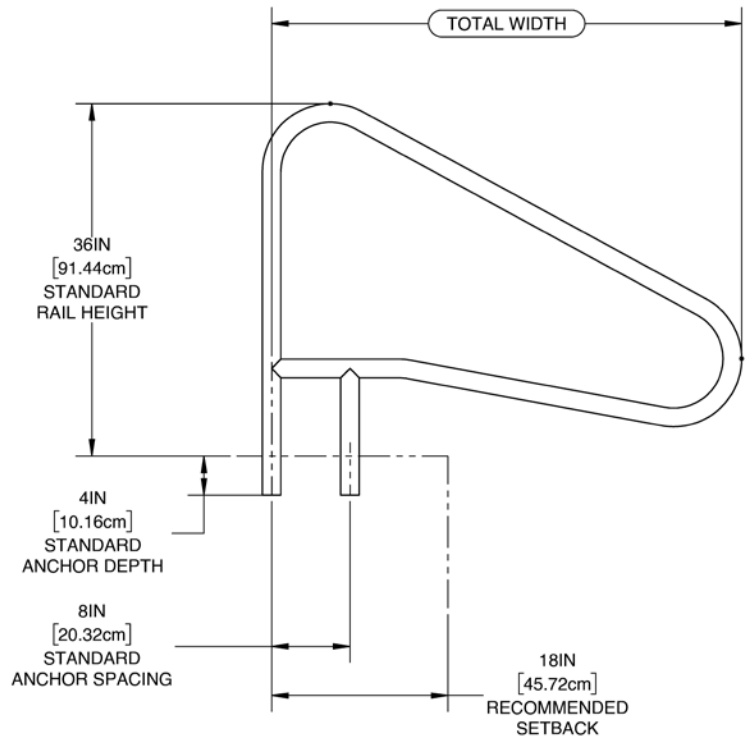
- Constructed from corrosion-resistant stainless steel for long-lasting durability.
- Marine-grade stainless option available for saltwater or heavily chlorinated pools.
- Four-bend design includes a flat deck segment for smooth transition from deck to pool.
- Extends over the pool edge to provide secure support exactly where swimmers need it.
- Meets U.S. ADA Standards for Accessible Design when installed with specified anchors.
- Polished stainless finish offers a sleek, modern look and easy cleaning.
- Sold individually. Anchors and escutcheons sold separately.

4 BEND DECK RAIL

Part Number	Total Width	OD	Wall	Material
TDM-4B48-141	48.00"	1.90"	.065	304LSS
TDM-4B48-241	48.00"	1.90"	.109	304LSS
TDM-4B48-461	48.00"	1.50"	.120	316LSS
TDM-4B60-141	60.00"	1.90"	.065	304LSS
TDM-4B60-241	60.00"	1.90"	.109	304LSS
TDM-4B60-461	60.00"	1.50"	.120	316LSS

LONG REACH DECK RAIL

TRUPRO



DESCRIPTION:

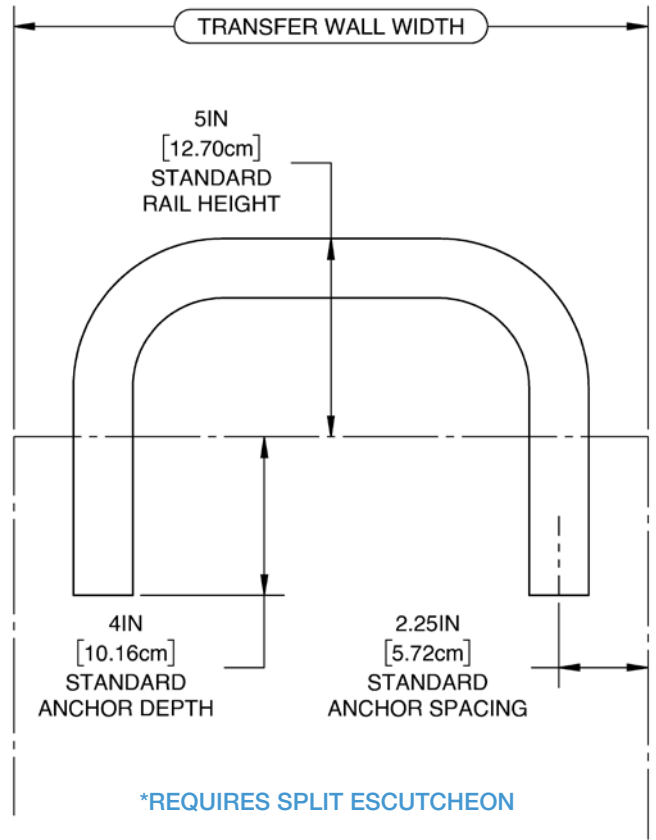
- Constructed from corrosion-resistant stainless steel for long-lasting durability.
- Marine-grade stainless option available for saltwater or heavily chlorinated pools.
- Sturdier build than standard 3-bend rails for enhanced stability and performance.
- Deck-mounted design extends over the pool edge for support where needed.
- Meets U.S. ADA Standards for Accessible Design when installed with specified anchors.
- Polished stainless finish offers a sleek, modern look and easy cleaning.
- Sold individually. Anchors and escutcheons sold separately.

LONG REACH DECK RAIL

Part Number	Total Width	OD	Wall	Material
TDM-LR48-141	48.00"	1.90"	.065	304LSS
TDM-LR48-241	48.00"	1.90"	.109	304LSS
TDM-LR48-461	48.00"	1.50"	.120	316LSS
TDM-LR60-141	60.00"	1.90"	.065	304LSS
TDM-LR60-241	60.00"	1.90"	.109	304LSS
TDM-LR60-461	60.00"	1.50"	.120	316LSS

ADA GRAB RAILS

TRUPRO



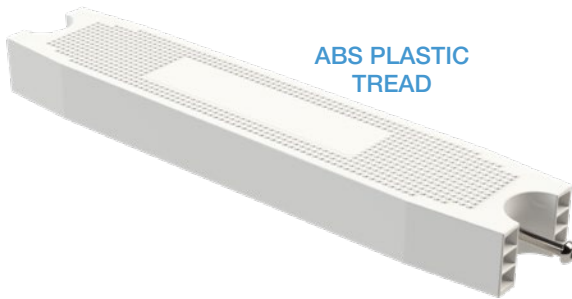
DESCRIPTION:

- Constructed from corrosion-resistant stainless steel for long-lasting durability.
- Marine-grade stainless option available for saltwater or heavily chlorinated pools.
- Available with and without flange.
- Designed for use on elevated transfer walls to support safe, independent pool entry.
- Anchors to the top surface for a stable and secure handhold.
- Meets U.S. ADA Standards for Accessible Design when installed with specified anchors.
- Polished stainless finish offers a sleek, modern look and easy cleaning.
- Sold individually. Anchors and escutcheons sold separately.

ADA GRAB RAILS

	Part Number	Width	OD	Wall	Material
WITH FLANGE NO FLANGE	TTR-NF12-461	12.00"	1.50"	.120	316LSS
	TTR-NF14-461	14.00"	1.50"	.120	316LSS
	TTR-NF16-461	16.00"	1.50"	.120	316LSS
	TTR-NF18-461	18.00"	1.50"	.120	316LSS
	TTR-FG12-461	12.00"	1.50"	.120	316LSS
	TTR-FG14-461	14.00"	1.50"	.120	316LSS
	TTR-FG16-461	16.00"	1.50"	.120	316LSS
	TTR-FG18-461	18.00"	1.50"	.120	316LSS

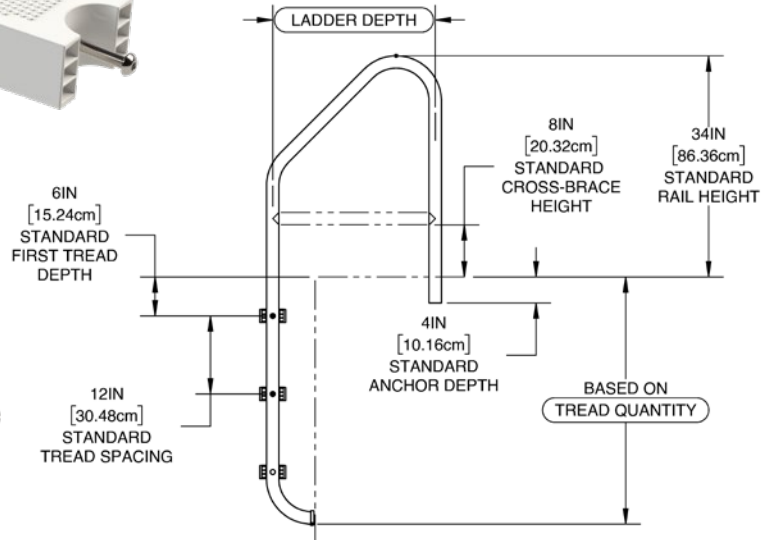
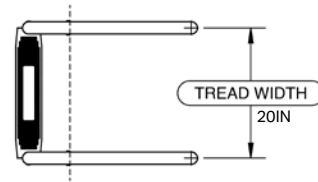
POOL LADDERS TRUPRO



ABS PLASTIC
TREAD

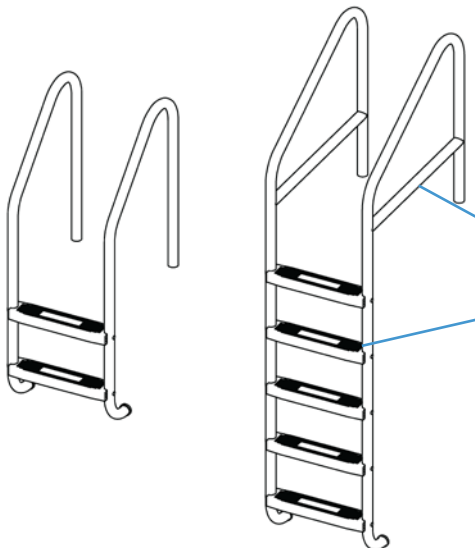


STAINLESS STEEL
TREAD



DESCRIPTION:

- Constructed from corrosion-resistant stainless steel for long-lasting durability.
- Marine-grade stainless option available for saltwater or heavily chlorinated pools.
- Designed for safe and stable pool entry in both commercial and residential settings.
- Requires only two wedge anchors for secure installation.
- Meets U.S. ADA Standards for Accessible Design when installed with specified anchors.
- Polished stainless finish offers a sleek, modern look and easy cleaning.
- Sold individually. Anchors and escutcheons sold separately.



ADDITIONAL OPTIONS:

- Standard and Cross-braced ladder versions.
- Available with 2 to 5 treads.
- Multiple tread styles available.
- Custom configurations available upon request.

POOL LADDERS

TRUPRO

Standard Pool Ladder (2 Tread, 20" ABS)



Part Number	Depth	OD	Wall	Material
TSL-241-141	25.00"	1.90"	.065	304LSS
TSL-241-241	25.00"	1.90"	.109	304LSS
TSL-241-461	25.00"	1.50"	.120	316LSS
TSL-242-141	27.00"	1.90"	.065	304LSS
TSL-242-241	27.00"	1.90"	.109	304LSS
TSL-242-461	27.00"	1.50"	.120	316LSS
TSL-243-141	30.00"	1.90"	.065	304LSS
TSL-243-241	30.00"	1.90"	.109	304LSS
TSL-243-461	30.00"	1.50"	.120	316LSS
TSL-244-141	36.00"	1.90"	.065	304LSS
TSL-244-241	36.00"	1.90"	.109	304LSS
TSL-244-461	36.00"	1.50"	.120	316LSS

Standard Pool Ladder (3 Tread, 20" ABS)



Part Number	Depth	OD	Wall	Material
TSL-341-141	25.00"	1.90"	.065	304LSS
TSL-341-241	25.00"	1.90"	.109	304LSS
TSL-341-461	25.00"	1.50"	.120	316LSS
TSL-342-141	27.00"	1.90"	.065	304LSS
TSL-342-241	27.00"	1.90"	.109	304LSS
TSL-342-461	27.00"	1.50"	.120	316LSS
TSL-343-141	30.00"	1.90"	.065	304LSS
TSL-343-241	30.00"	1.90"	.109	304LSS
TSL-343-461	30.00"	1.50"	.120	316LSS
TSL-344-141	36.00"	1.90"	.065	304LSS
TSL-344-241	36.00"	1.90"	.109	304LSS
TSL-344-461	36.00"	1.50"	.120	316LSS

Standard Pool Ladder (4 Tread, 20" ABS)



Part Number	Depth	OD	Wall	Material
TSL-441-141	25.00"	1.90"	.065	304LSS
TSL-441-241	25.00"	1.90"	.109	304LSS
TSL-441-461	25.00"	1.50"	.120	316LSS
TSL-442-141	27.00"	1.90"	.065	304LSS
TSL-442-241	27.00"	1.90"	.109	304LSS
TSL-442-461	27.00"	1.50"	.120	316LSS
TSL-443-141	30.00"	1.90"	.065	304LSS
TSL-443-241	30.00"	1.90"	.109	304LSS
TSL-443-461	30.00"	1.50"	.120	316LSS
TSL-444-141	36.00"	1.90"	.065	304LSS
TSL-444-241	36.00"	1.90"	.109	304LSS
TSL-444-461	36.00"	1.50"	.120	316LSS

POOL LADDERS TRUPRO



Standard Pool Ladder (5 Tread, 20" ABS)

Part Number	Depth	OD	Wall	Material
TSL-541-141	25.00"	1.90"	.065	304LSS
TSL-541-241	25.00"	1.90"	.109	304LSS
TSL-541-461	25.00"	1.50"	.120	316LSS
TSL-542-141	27.00"	1.90"	.065	304LSS
TSL-542-241	27.00"	1.90"	.109	304LSS
TSL-542-461	27.00"	1.50"	.120	316LSS
TSL-543-141	30.00"	1.90"	.065	304LSS
TSL-543-241	30.00"	1.90"	.109	304LSS
TSL-543-461	30.00"	1.50"	.120	316LSS
TSL-544-141	36.00"	1.90"	.065	304LSS
TSL-544-241	36.00"	1.90"	.109	304LSS
TSL-544-461	36.00"	1.50"	.120	316LSS



Cross-Braced Pool Ladder (2 Tread, 20" ABS)

Part Number	Depth	OD	Wall	Material
TBL-241-141	25.00"	1.90"	.065	304LSS
TBL-241-241	25.00"	1.90"	.109	304LSS
TBL-241-461	25.00"	1.50"	.120	316LSS
TBL-242-141	27.00"	1.90"	.065	304LSS
TBL-242-241	27.00"	1.90"	.109	304LSS
TBL-242-461	27.00"	1.50"	.120	316LSS
TBL-243-141	30.00"	1.90"	.065	304LSS
TBL-243-241	30.00"	1.90"	.109	304LSS
TBL-243-461	30.00"	1.50"	.120	316LSS
TBL-244-141	36.00"	1.90"	.065	304LSS
TBL-244-241	36.00"	1.90"	.109	304LSS
TBL-244-461	36.00"	1.50"	.120	316LSS



Cross-Braced Pool Ladder (3 Tread, 20" ABS)

Part Number	Depth	OD	Wall	Material
TBL-341-141	25.00"	1.90"	.065	304LSS
TBL-341-241	25.00"	1.90"	.109	304LSS
TBL-341-461	25.00"	1.50"	.120	316LSS
TBL-342-141	27.00"	1.90"	.065	304LSS
TBL-342-241	27.00"	1.90"	.109	304LSS
TBL-342-461	27.00"	1.50"	.120	316LSS
TBL-343-141	30.00"	1.90"	.065	304LSS
TBL-343-241	30.00"	1.90"	.109	304LSS
TBL-343-461	30.00"	1.50"	.120	316LSS
TBL-344-141	36.00"	1.90"	.065	304LSS
TBL-344-241	36.00"	1.90"	.109	304LSS
TBL-344-461	36.00"	1.50"	.120	316LSS

POOL LADDERS

TRUPRO

Cross-Braced Pool Ladder (4 Tread, 20" ABS)



Part Number	Depth	OD	Wall	Material
TBL-441-141	25.00"	1.90"	.065	304LSS
TBL-441-241	25.00"	1.90"	.109	304LSS
TBL-441-461	25.00"	1.50"	.120	316LSS
TBL-442-141	27.00"	1.90"	.065	304LSS
TBL-442-241	27.00"	1.90"	.109	304LSS
TBL-442-461	27.00"	1.50"	.120	316LSS
TBL-443-141	30.00"	1.90"	.065	304LSS
TBL-443-241	30.00"	1.90"	.109	304LSS
TBL-443-461	30.00"	1.50"	.120	316LSS
TBL-444-141	36.00"	1.90"	.065	304LSS
TBL-444-241	36.00"	1.90"	.109	304LSS
TBL-444-461	36.00"	1.50"	.120	316LSS

Cross-Braced Pool Ladder (5 Tread, 20" ABS)



Part Number	Depth	OD	Wall	Material
TBL-541-141	25.00"	1.90"	.065	304LSS
TBL-541-241	25.00"	1.90"	.109	304LSS
TBL-541-461	25.00"	1.50"	.120	316LSS
TBL-542-141	27.00"	1.90"	.065	304LSS
TBL-542-241	27.00"	1.90"	.109	304LSS
TBL-542-461	27.00"	1.50"	.120	316LSS
TBL-543-141	30.00"	1.90"	.065	304LSS
TBL-543-241	30.00"	1.90"	.109	304LSS
TBL-543-461	30.00"	1.50"	.120	316LSS
TBL-544-141	36.00"	1.90"	.065	304LSS
TBL-544-241	36.00"	1.90"	.109	304LSS
TBL-544-461	36.00"	1.50"	.120	316LSS

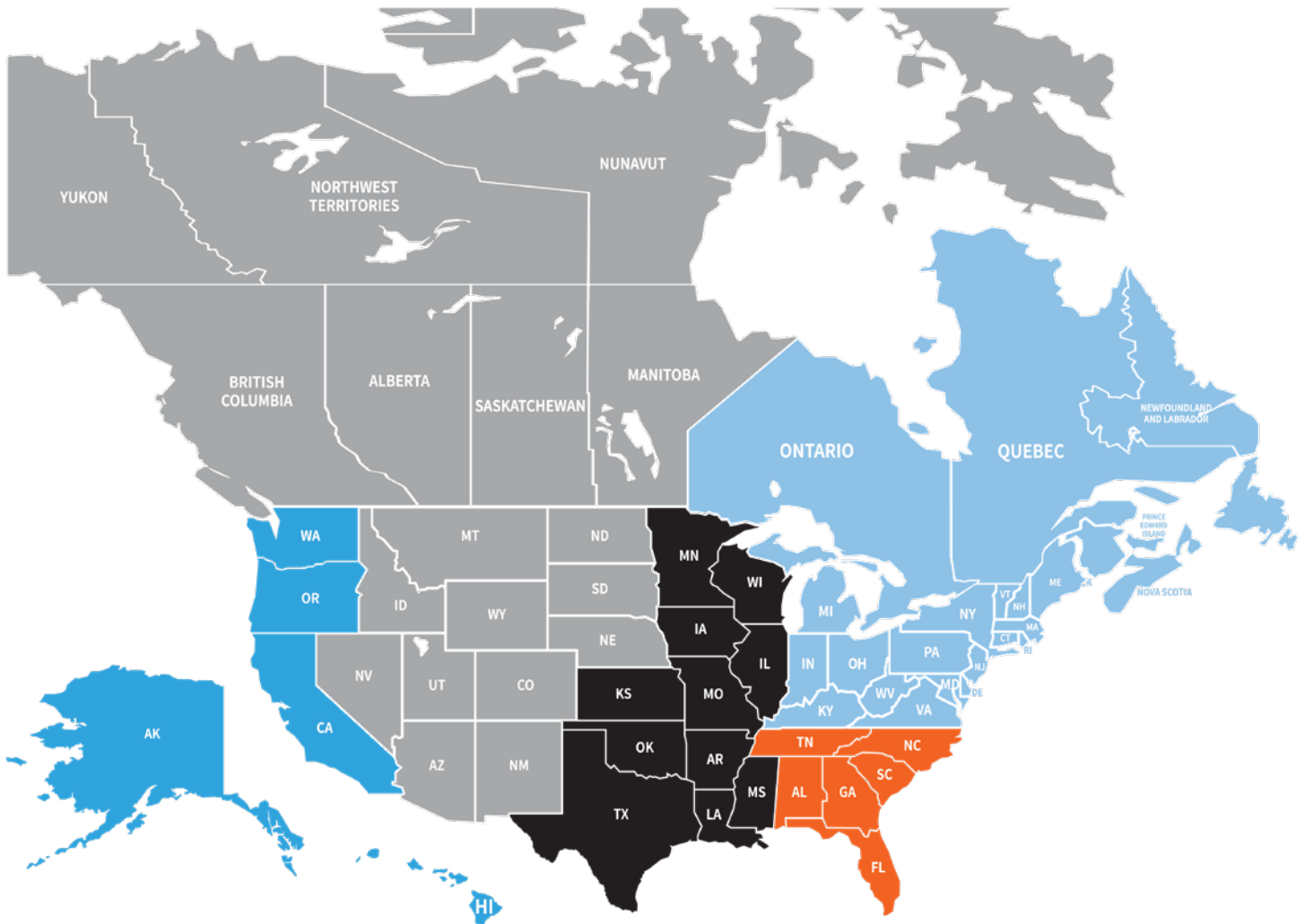
EXPLORE CUSTOM RAIL OPTIONS

View detailed custom rail drawings, measurements, and product information in seconds.

Scan the QR code and head to the **"Download Center"** tab to browse all documentation.



SALES TERRITORY MAP



REGIONAL SALES ASSOCIATES

PACIFIC REGION

Phone:
(406) 541-8985

Email:
salespacific@
aquacreek.com

MOUNTAIN REGION

Phone:
(406) 541-1829

Email:
salesmountain@
aquacreek.com

CENTRAL REGION

Phone:
(406) 541-8490

Email:
salescentral@
aquacreek.com

NORTHEAST REGION

Phone:
(406) 541-8984

Email:
salesnortheast@
aquacreek.com

SOUTHEAST REGION

Phone:
(406) 541-8311

Email:
salessoutheast@
aquacreek.com

WE LOVE TO HEAR FROM YOU!

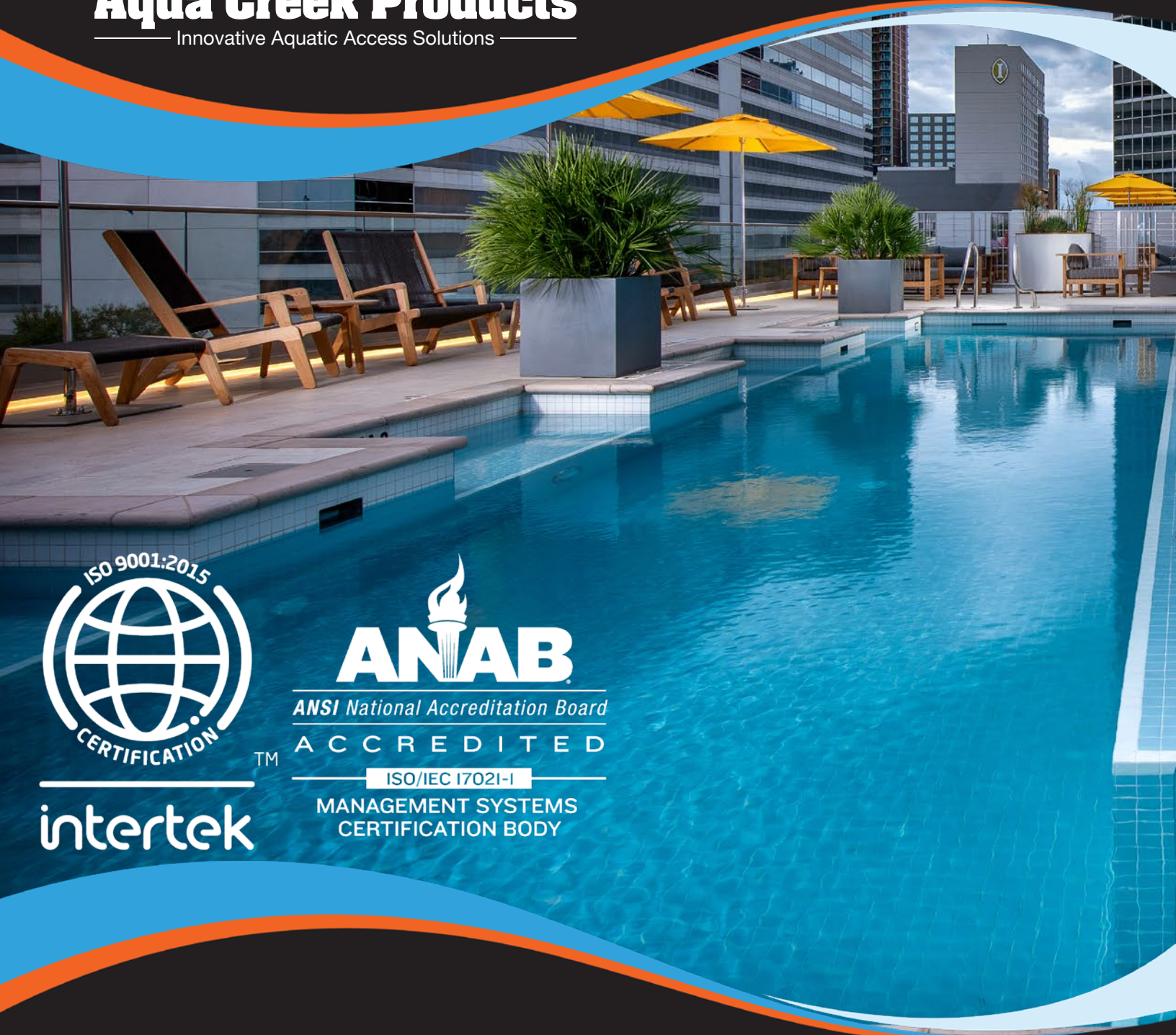
Contact any of our friendly support staff directly.





Aqua Creek Products

Innovative Aquatic Access Solutions



STAY IN TOUCH

Toll Free: 1-888-687-3552 · Local: +1-406-549-0769 · Fax: +1-406-541-8958
9889 Garrymore Lane, Missoula, Montana 59808
sales@aquacreek.com · www.aquacreekproducts.com



Copyright © 2026 Aqua Creek Products, LLC. All Rights Reserved.