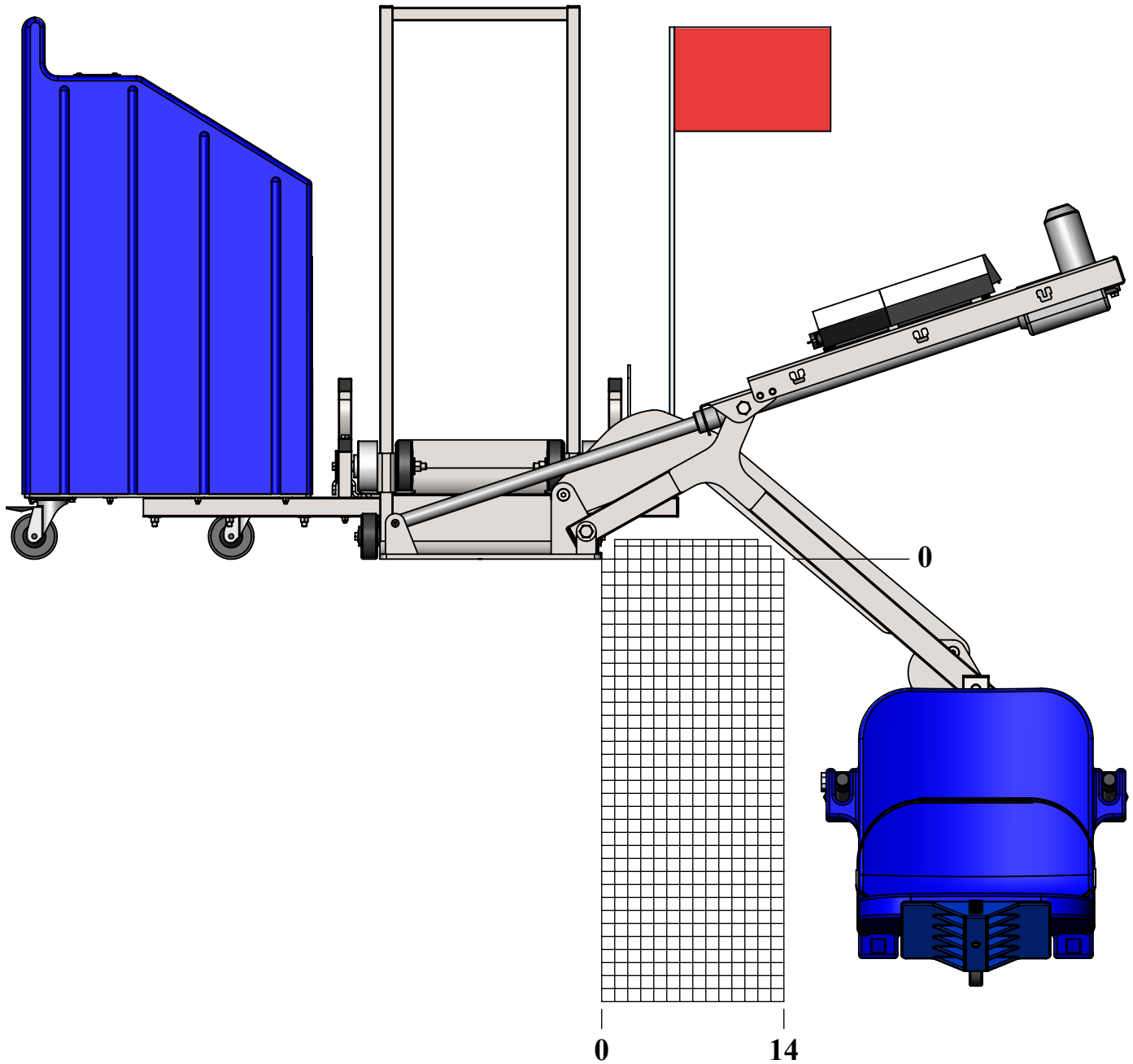


PATRIOT-AT GRAPH CHART

MINIMUM SETBACK = 9"
 MAXIMUM SETBACK = 14"

DRAW YOUR PROFILE ON THE GRAPH USING THE FRONT ANCHOR LOCATION AS YOUR STARTING POINT. ALL GRAPH LINES ARE IN 1" INCREMENTS EXCEPT FOR THE TOP OF THE 1.50" BULLNOSE.



9889 GARRYMORE LANE
 MISSOULA, MT 59808
 (406) 549-0769
 FAX (406) 549-2602

NOTE:
 *SPECIFICATIONS ARE SUBJECT TO CHANGE WITHOUT NOTICE

PRODUCT:		PATRIOT-AT1	
PART #:		F-12PPL-HD-AT1	
SCALE:	1:12	DATE:	12/23/2019
DRAWN BY:	KR	REVISION:	06