



THE LEADERS IN RECREATION, FITNESS, AND ABILITY!

9889 Garrymore Ln

Missoula, MT 59808

888-687-3552 | +1-406-549-0769

www.aquacreek.com

Mighty Lifts

Shallow Deck

Pedestal

USE THIS MANUAL FOR PART #'s:
F-MTYPD8S / F-MTYPD18S / F-MTY1PDS
F-MTY2PDS / F-MTY3PDS / F-MTY4PDS

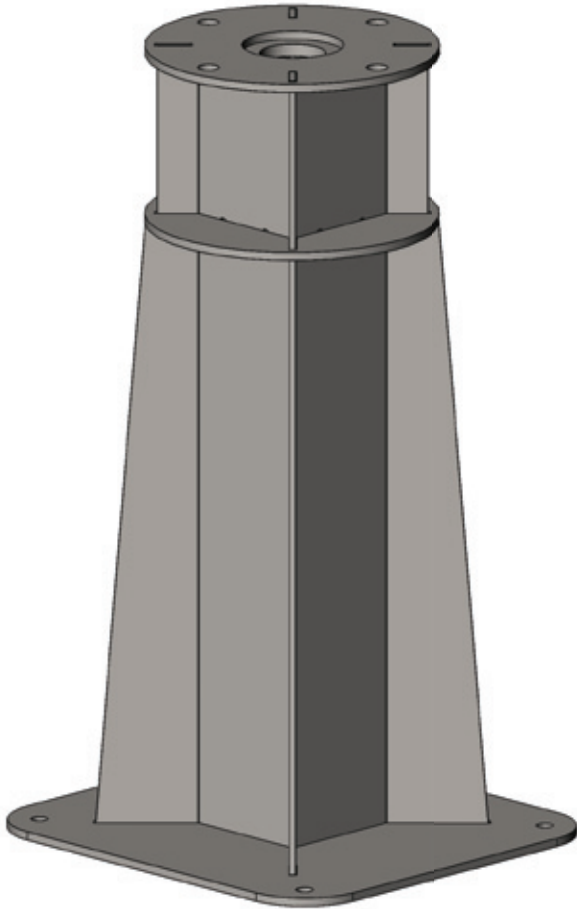
MANDATORY

LEAVE THIS MANUAL WITH LIFT OWNER

Read and follow all instructions.

Lift safety can only be ensured if the lift is installed and operated according to these instructions.

- NEVER permit children to play on or around the lift
- Do not allow children to use the lift without adult supervision
- NEVER apply direct water pressure to the electronics
- NEVER use the lift with a dry pool



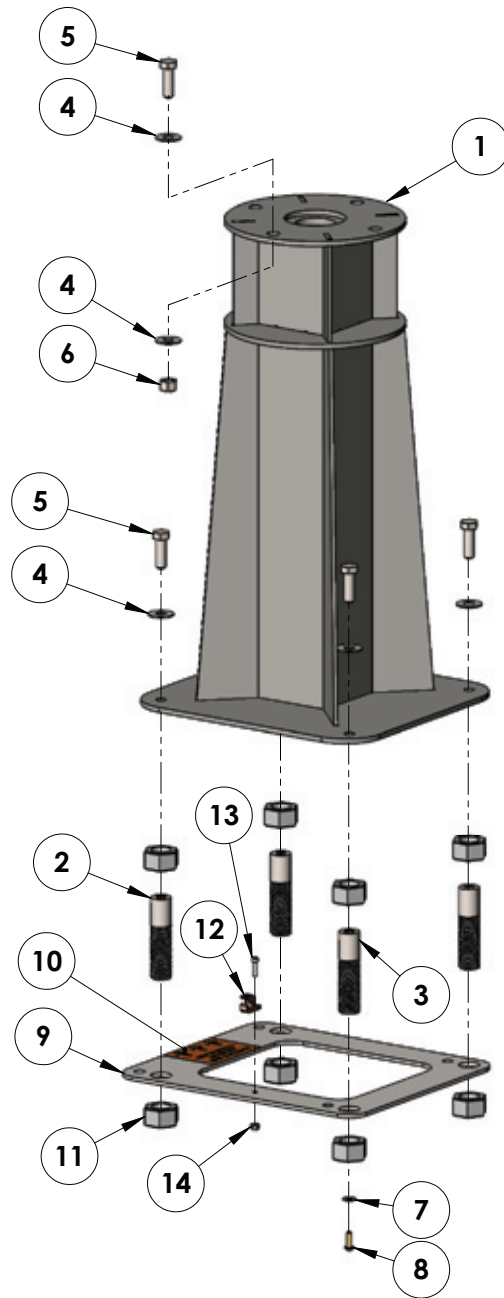
READ CAREFULLY

Check entire box and all packing materials for parts. Before beginning assembly, read the instructions and identify parts using the figures and parts listed in this document.

It is critical that all parts be carefully inspected prior to installation. If any damage occurred in transit, Aqua Creek Products, LLC must be notified within three days of receipt of unit.

Proper installation cannot be overstressed, as an improper installation voids Aqua Creek's warranty and may affect the safety of the user.

Parts List



ITEM #	QTY	DESCRIPTION
1	1	MIGHTY LIFT PEDESTAL
2	3	4" ANCHOR INSERT, 304 SS, NON-BONDABLE
3	1	4" ANCHOR INSERT, 304 SS, BONDABLE
4	6	WASHER, FLAT, 1/2, 316 SS
5	5	BOLT, 316 SS, 1/2-13 X 1 1/2 HCS
6	1	NUT, 316 SS, NYLOCK, 1/2"-13
7	1	WASHER, FLAT, 1/4, 316 SS
8	1	SCREW, BRASS, 1/4-20 X 3/4" PANHEAD
9	1	MILD STEEL JIG PLATE
10	1	SETBACK LABEL
11	8	NUT, ZINC, HEX, 1"
12	1	GROUNDING LUG
13	1	BOLT, 316 SS, 10-24 X 3/4 SHCS
14	1	NUT, 316 SS, NYLOCK, #10-24

Installation: ADA Guidelines

ADA REQUIREMENTS (For Commercial Applications):

The Mighty lift is completely ADA compliant when installed correctly.

The installation must meet the following requirements:

- Clear deck space dimensions (see FIGURE 1)
- Install lift a minimum of 24 inches from the pool edge
(For curved pool walls contact Aqua Creek for placement)
- Deck slope no greater than 1:48
- The seat must be submerged at least 18 inches into the water. The lift should be installed at a location with 42-48 inches of depth (deck to pool floor)

NOTE: Other requirements may be necessary based on local code requirements. The anchor system should be bonded according to NEC Section 680 and/or local code requirements.

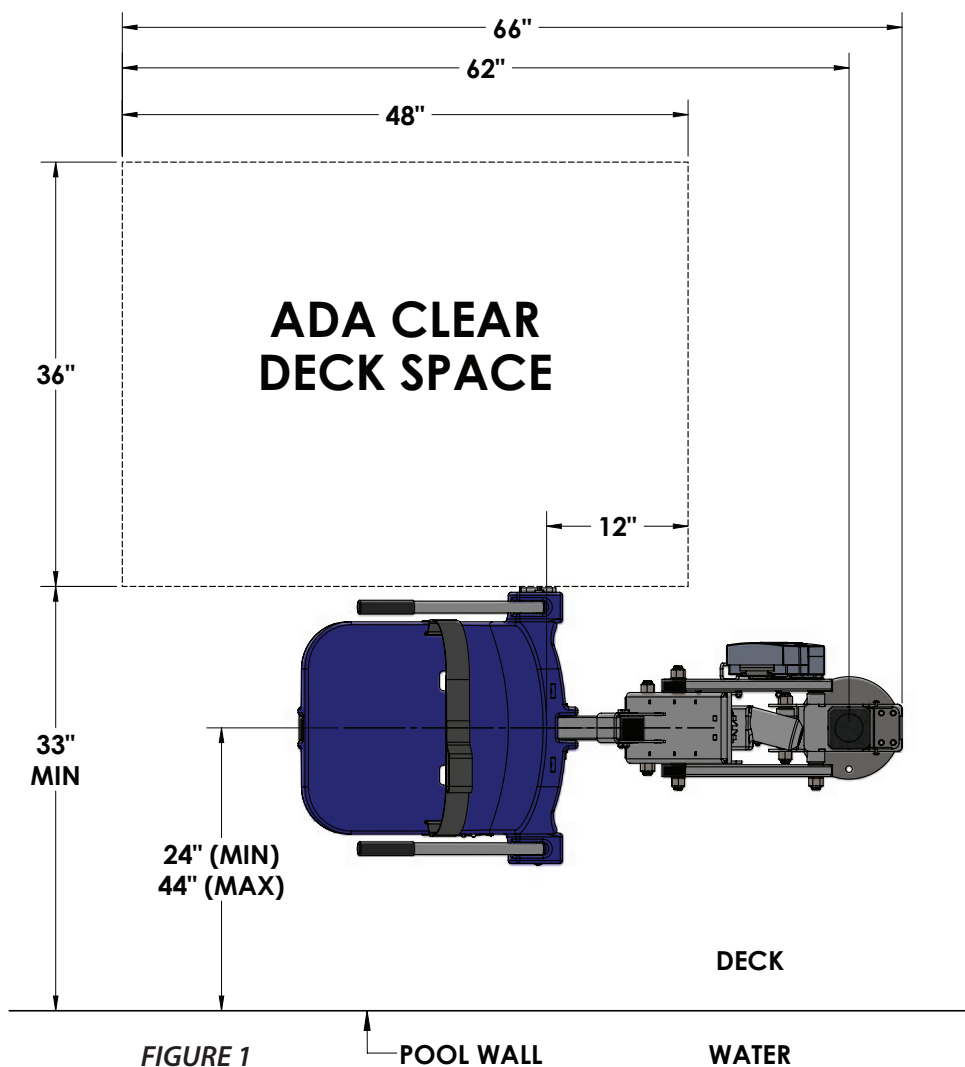
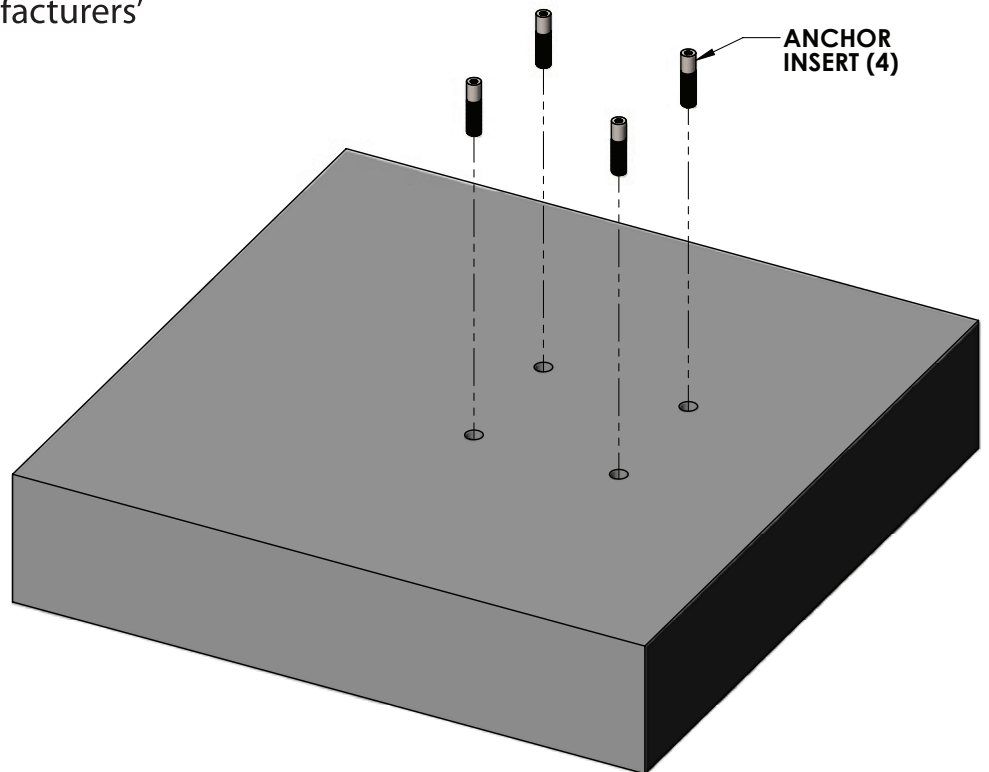


FIGURE 1

Assembly Instructions

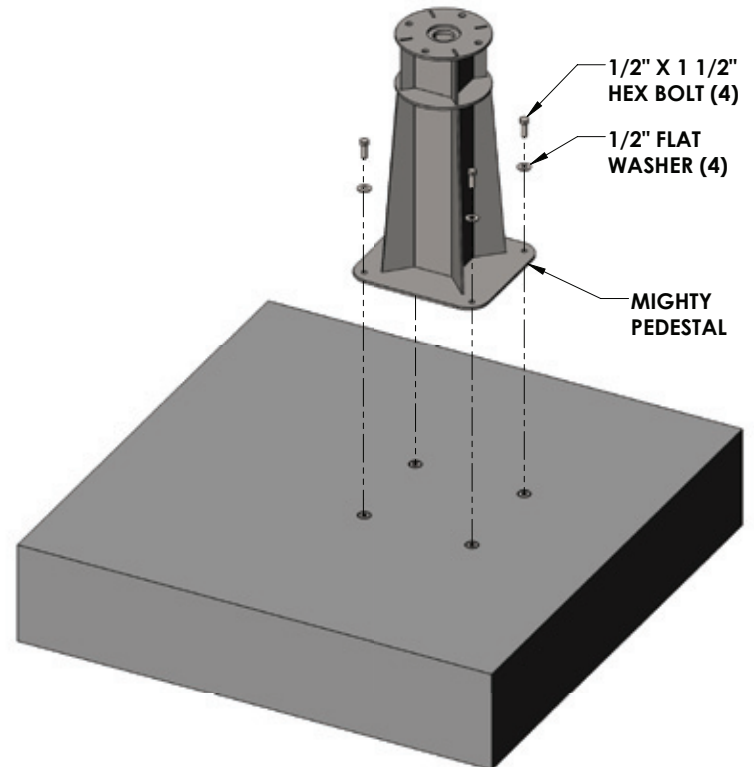
1. A pad size of 5'-6" x 5'-6" x 6" deep, using 7 sticks of #3 rebar each way, needs to be made either by pouring a new pad or by saw cutting into your existing deck and making this new pad area 6" deep.
2. Mark the four (4) anchor insert locations on your deck and drill the four hole locations using a 1 1/2" drill bit to a depth of at least 4 1/2".
3. Place the anchor inserts in the hole and 'dry-fit' them first to make sure they will be flush and plumb with the finished deck surface when installed. Adjust the holes as needed.
4. Inject epoxy adhesive into each hole starting at the bottom until the hole is 1/3 to 1/2 full.
5. Install the anchor into the epoxy filled hole by pushing down and twisting back and forth to evenly distribute the epoxy around the anchor. Push down until it is flush with the finished deck surface. Clean off any excess epoxy. Adjust the anchor as needed to make sure it is flush and plumb with the deck surface. This should be done during the adhesives' specified 'gel time' (see epoxy manufacturers' instructions).
6. Let the epoxy cure for at least 24 hours before installing the lift (or where applicable according to the epoxy manufacturers' instructions).

7. Bond the anchor insert according to your local code requirements by using the bonding screw on the bottom of one of the anchor inserts.



Assembly Instructions

8. Set the Mighty Pedestal in place over the top of the four (4) anchor inserts. Using a 3/4" wrench or socket, secure the pedestal in place with the supplied 1/2" x 1 1/2" hex bolts and flat washers.



9. Using two (2) people, place the Mighty Lift on top of the pedestal. Be sure the lifts stem has traveled through all of the internal support plates. You will know this if the top plate of the pedestal and the bottom plate on the lift are sitting tightly together. If there is a gap, wiggle the lift around until it drops through the internal hole and sits flush with the pedestal plate. Secure in place using the supplied 1/2" hex bolt, flat washers and nylock nut. (Note that there are four (4) possible holes to place the security bolt through. This is normal and the bolt can go through any of them. There is no need for any more than one security bolt)

