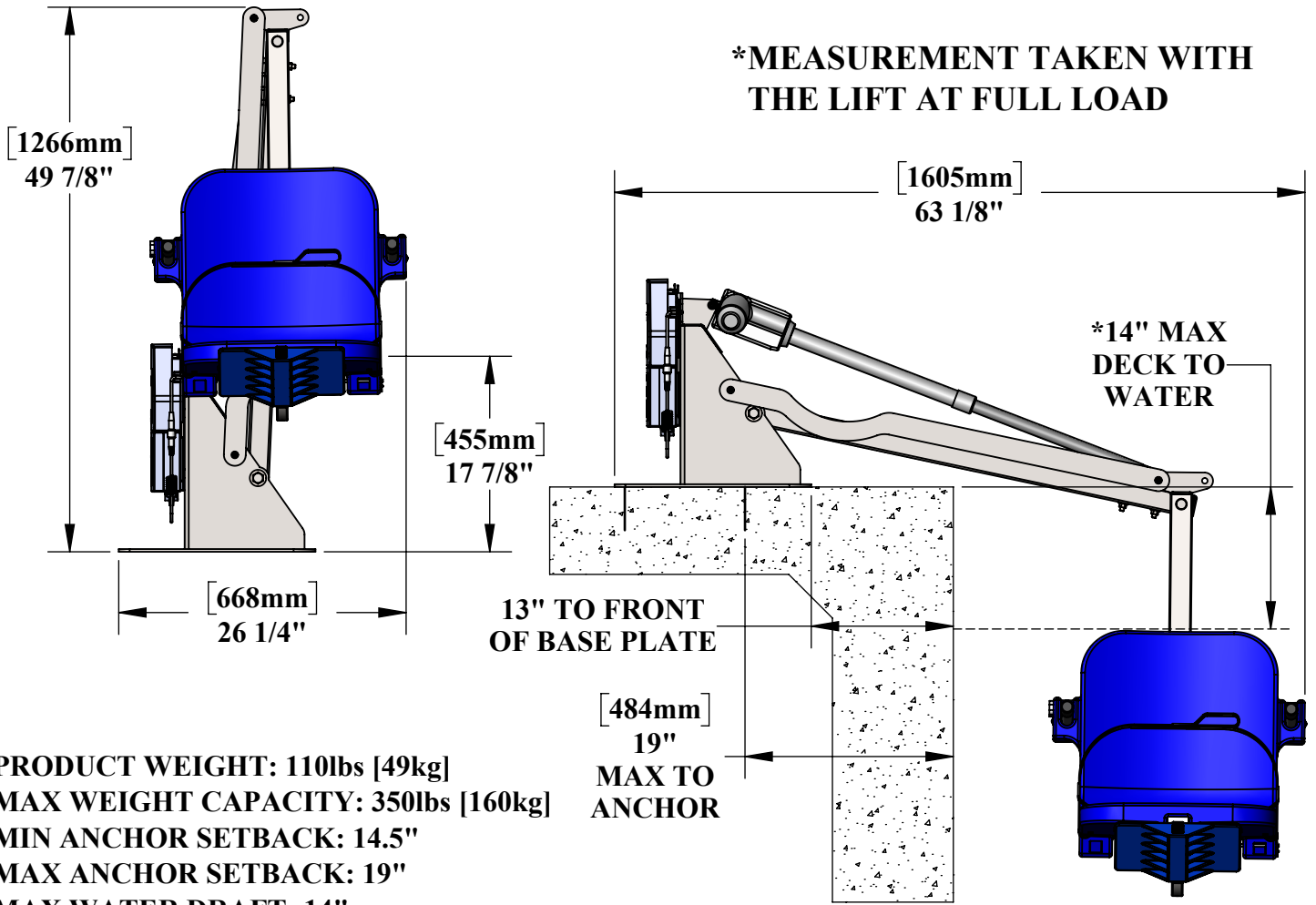
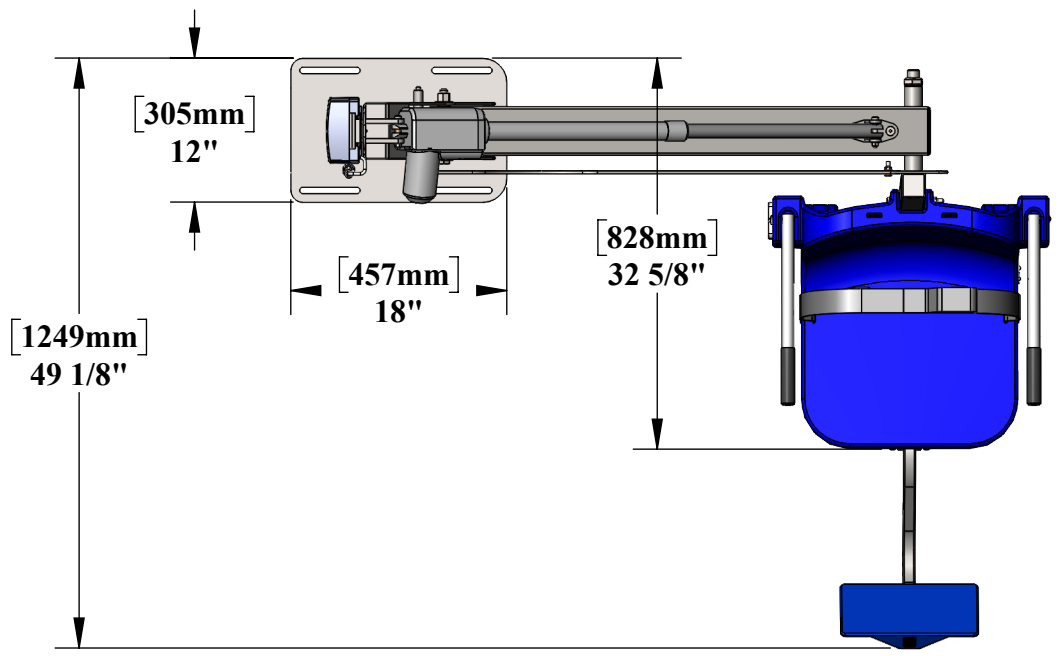


RANGER 2 POOL LIFT

***MEASUREMENT TAKEN WITH THE LIFT AT FULL LOAD**



PRODUCT WEIGHT: 110lbs [49kg]
MAX WEIGHT CAPACITY: 350lbs [160kg]
MIN ANCHOR SETBACK: 14.5"
MAX ANCHOR SETBACK: 19"
MAX WATER DRAFT: 14"



9889 GARRYMORE LANE
 MISSOULA, MT 59808
 (406) 549-0769
 FAX (406) 549-2602

NOTE:
 *SPECIFICATIONS ARE SUBJECT TO CHANGE WITHOUT NOTICE

PRODUCT:		RANGER 2	
PART #:		F-RNGR2	
SCALE:	1:16	DATE:	11/28/2018
DRAWN BY:	KR	REVISION:	A