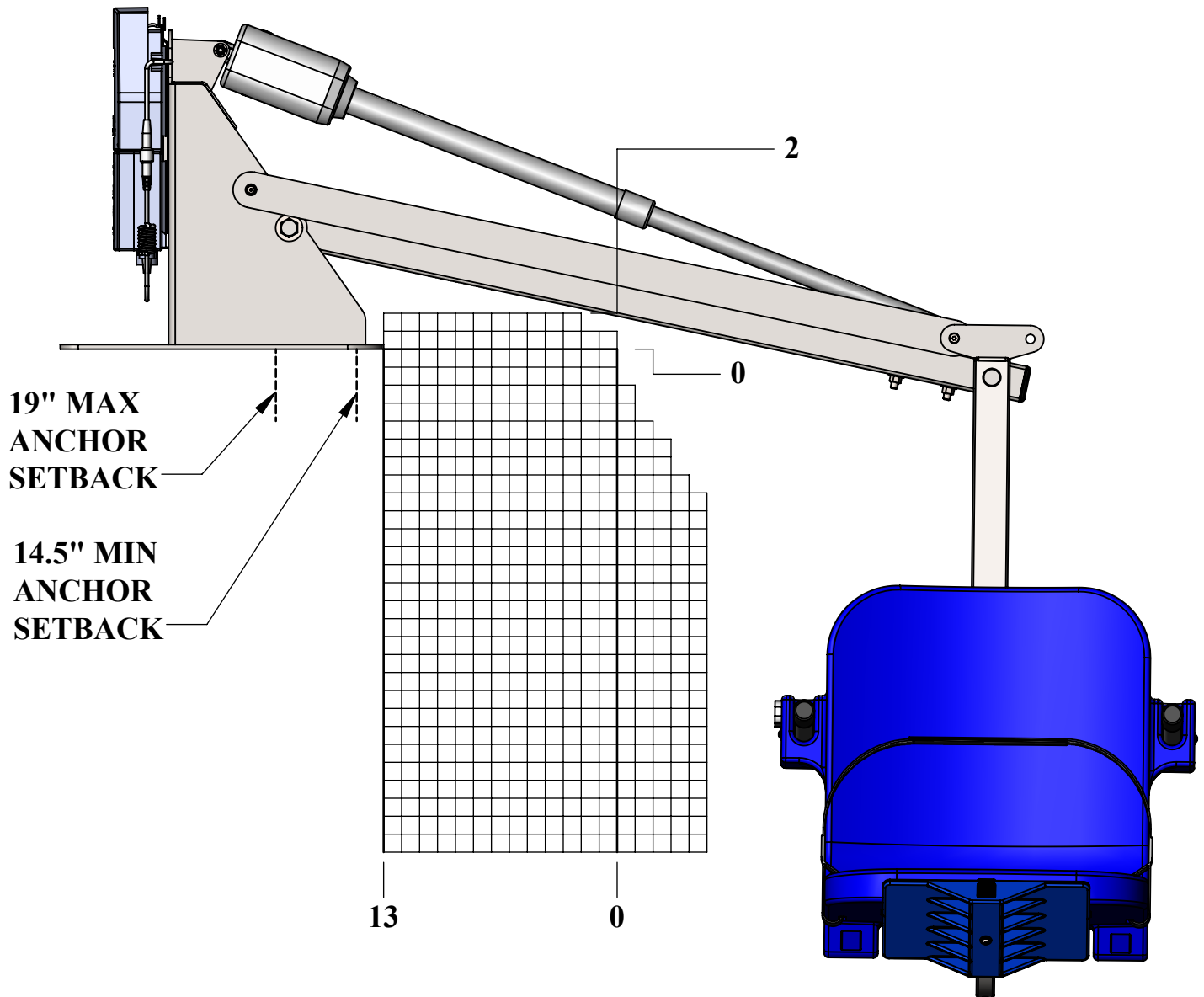


RANGER 2 GRAPH CHART

MINIMUM ANCHOR SETBACK = 14.5"
 MAXIMUM ANCHOR SETBACK = 19"

THE FRONT EDGE OF THE BASE PLATE
 WILL ALWAYS BE 13" FROM THE POOL
 EDGE FOR ADA APPLICATIONS

DRAW YOUR PROFILE ON THE
 GRAPH USING THE FRONT
 ANCHOR LOCATIONS AS
 YOUR START POINT. ALL
 GRAPH LINES ARE IN 1"
 INCREMENTS.



9889 GARRYMORE LANE
 MISSOULA, MT 59808
 (406) 549-0769
 FAX (406) 549-2602

NOTE:
 *SPECIFICATIONS ARE SUBJECT TO CHANGE WITHOUT NOTICE

PRODUCT:		RANGER 2	
PART #:		F-RNGR2	
SCALE:	1:9	DATE:	7/15/2019
DRAWN BY:	KR	REVISION:	02