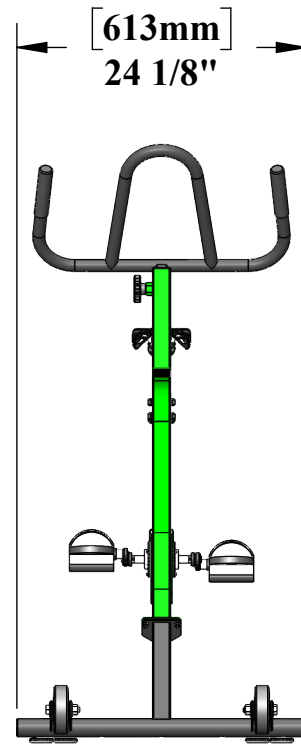
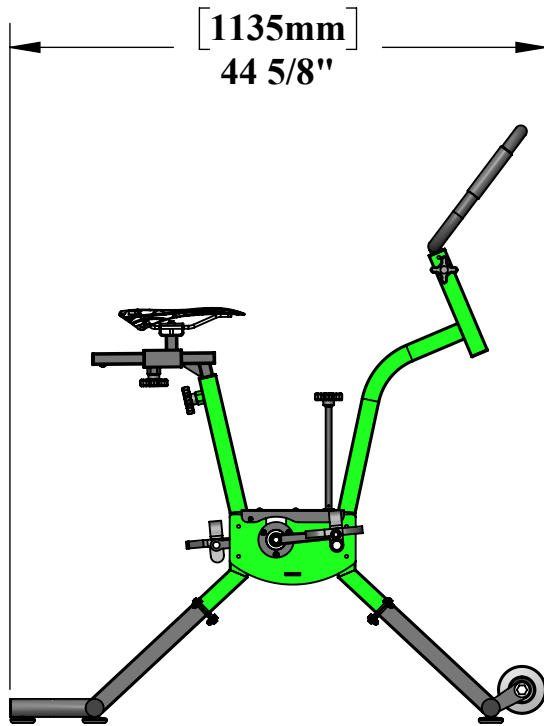


PROWAVE POOL BIKE



SPECIFICATIONS:

FRAME: TYPE 316 STAINLESS STEEL
FINISH: POLYESTER POWDER COAT:
BLACK WITH ACCENT COLOR
FLYWHEEL: 316 STAINLESS STEEL
CRANK: STAINLESS STEEL ROD WITH
STAINLESS STEEL BEARINGS
SEAT: SEAT CAN BE ADJUSTED TO 9 DIFFERENT
SETTINGS VERTICALLY AND 4 HORIZONTALLY
HANDLEBARS: HANDLEBARS CAN BE ADJUSTED
TO 7 DIFFERENT SETTINGS VERTICALLY
POOL DEPTH: 3.5 TO 5 FEET(1 TO 1.5 METERS)
FOR OPTIMAL USE
BIKE WEIGHT: 38LBS (17kg)
WEIGHT CAPACITY: 300LBS (136kg)
WARRANTY: 3 YEARS FOR FRAME
(NOT INCLUDING POWDER COAT)
1 YEAR FOR PARTS & TRANSMISSION



9889 GARRYMORE LANE
 MISSOULA, MT 59808
 (406) 549-0769
 FAX (406) 549-2602

NOTE:
 *SPECIFICATIONS ARE SUBJECT TO CHANGE WITHOUT NOTICE

PRODUCT:		PROWAVE	
PART #:		F-PWRWV	
SCALE:	1:16	DATE:	3/15/2019
DRAWN BY:	KR	REVISION:	A