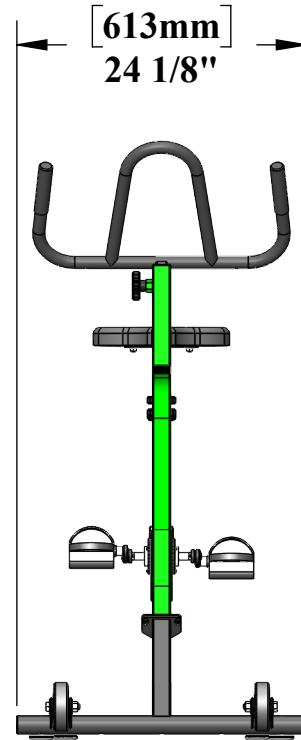
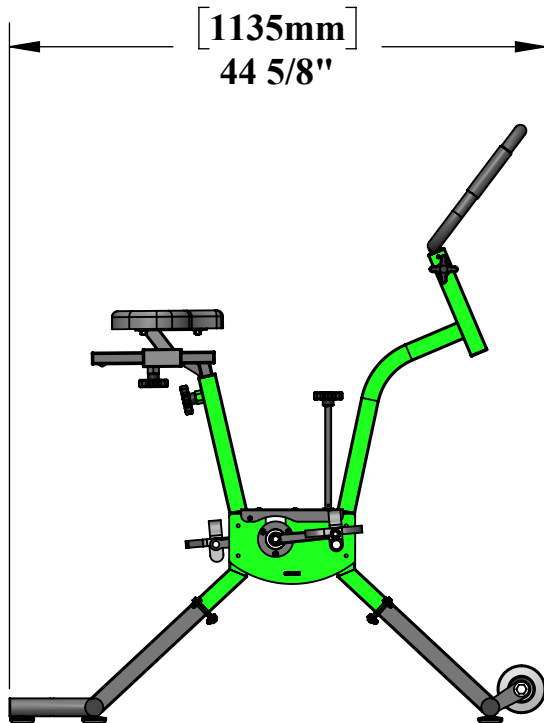


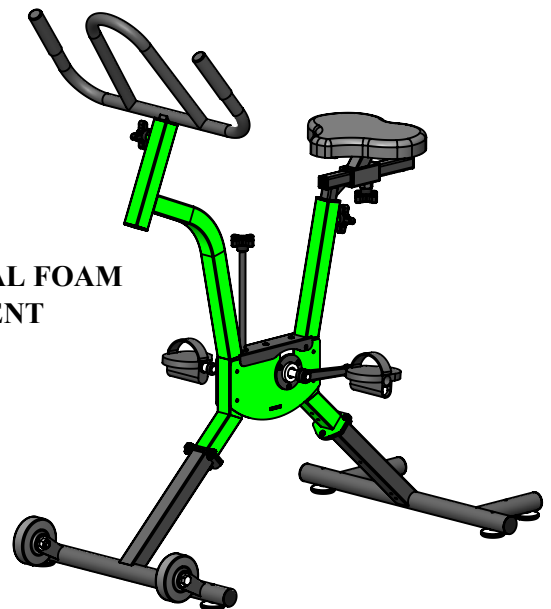
# POWERWAVE POOL BIKE

## SHOWN WITH OPTIONAL COMFORT SEAT



### SPECIFICATIONS:

- FRAME: TYPE 316 STAINLESS STEEL**
- FINISH: POLYESTER POWDER COAT:  
BLACK WITH ACCENT COLOR**
- FLYWHEEL: 316 STAINLESS STEEL**
- CRANK: STAINLESS STEEL ROD WITH  
STAINLESS STEEL BEARINGS**
- COMFORT SEAT: UHMW PLASTIC & CLOSED CELL NATURAL FOAM**
- SEAT ADJUSTMENT: SEAT CAN BE ADJUSTED TO 9 DIFFERENT  
SETTINGS VERTICALLY AND 4 HORIZONTALLY**
- HANDLEBARS: HANDLEBARS CAN BE ADJUSTED  
TO 7 DIFFERENT SETTINGS VERTICALLY**
- POOL DEPTH: 3.5 TO 5 FEET(1 TO 1.5 METERS)  
FOR OPTIMAL USE**
- BIKE WEIGHT: 38LBS (17kg)**
- WEIGHT CAPACITY: 300LBS (136kg)**
- WARRANTY: 3 YEARS FOR FRAME  
(NOT INCLUDING POWDER COAT)  
1 YEAR FOR PARTS & TRANSMISSION**



9889 GARRYMORE LANE  
MISSOULA, MT 59808  
(406) 549-0769  
FAX (406) 549-2602

NOTE:  
\*SPECIFICATIONS ARE SUBJECT TO CHANGE WITHOUT NOTICE

PRODUCT:		POWERWAVE	
PART #:		F-PWRWV & F-PWCS	
SCALE:	1:16	DATE:	1/9/2019
DRAWN BY:	KR	REVISION:	A