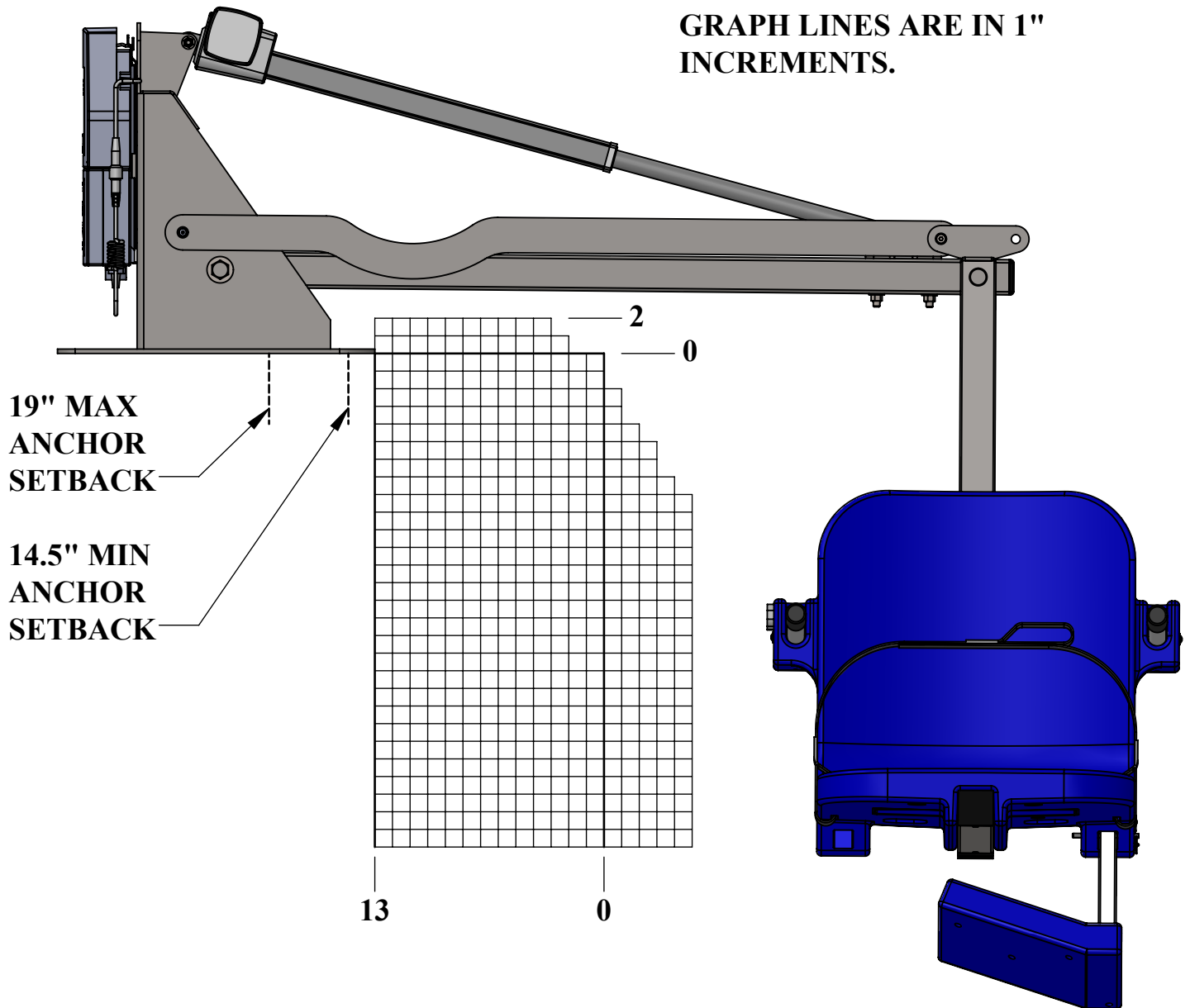


ADMIRAL GRAPH CHART

MINIMUM ANCHOR SETBACK = 14.5"

MAXIMUM ANCHOR SETBACK = 19"

DRAW YOUR PROFILE ON THE GRAPH USING THE FRONT ANCHOR LOCATIONS AS YOUR START POINT. ALL GRAPH LINES ARE IN 1" INCREMENTS.



9889 GARRYMORE LANE
 MISSOULA, MT 59808
 (406) 549-0769
 FAX (406) 549-2602

NOTE:
 *SPECIFICATIONS ARE SUBJECT TO CHANGE WITHOUT NOTICE

PRODUCT:		ADMIRAL	
PART #:		F-ADMRL	
SCALE:	1:9	DATE:	4/30/2018
DRAWN BY:	KR	REVISION:	A