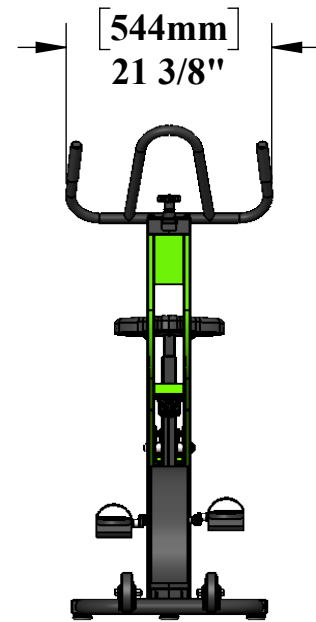
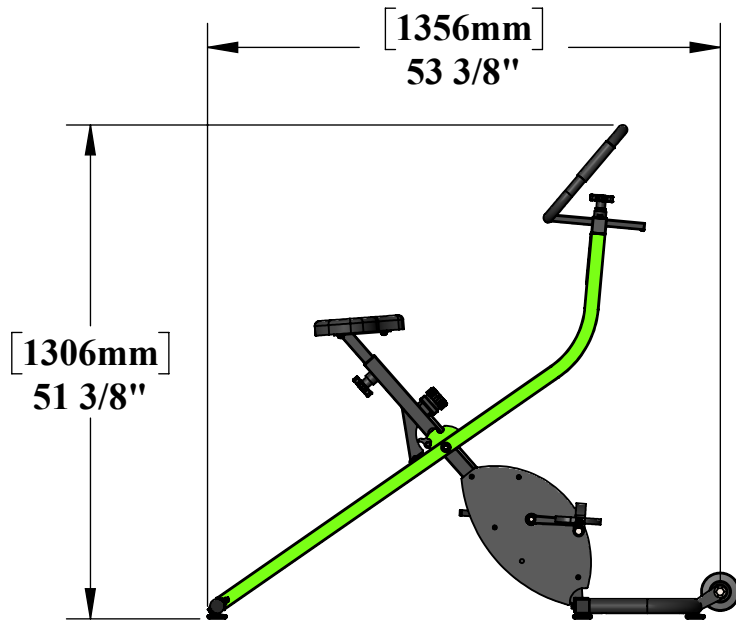


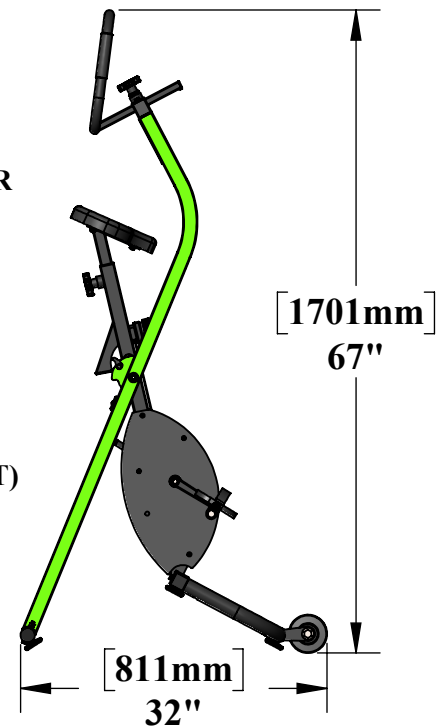
TIDALWAVE POOL BIKE

PATENT PENDING



SPECIFICATIONS:

- FRAME: TYPE 316 STAINLESS STEEL
- FINISH: POLYESTER POWDER COAT - BLACK WITH ACCENT COLOR
- FLYWHEEL: 316 STAINLESS STEEL
- CRANK: STAINLESS STEEL ROD WITH BRONZE BUSHINGS
- STORAGE: QUICK-FLIP LATCH FOR EASY STORAGE
- SEAT: 5 HEIGHT ADJUSTMENT SETTINGS
- POOL DEPTH: 3-5 FEET(0.9-1.5 METERS) FOR OPTIMAL USE
- WEIGHT: 50LBS (22kg)
- WEIGHT CAPACITY: 300LBS (136kg)
- WARRANTY: 3 YEARS FOR FRAME (NOT INCLUDING POWDER COAT)
1 YEAR FOR PARTS & TRANSMISSION



9889 GARRYMORE LANE
 MISSOULA, MT 59808
 (406) 549-0769
 FAX (406) 549-2602

NOTE:
 *SPECIFICATIONS ARE SUBJECT TO CHANGE WITHOUT NOTICE

PRODUCT:	TIDALWAVE	
PART #:	F-TWPB	
SCALE:	1:20	DATE: 6/28/2017
DRAWN BY:	KR	REVISION: A