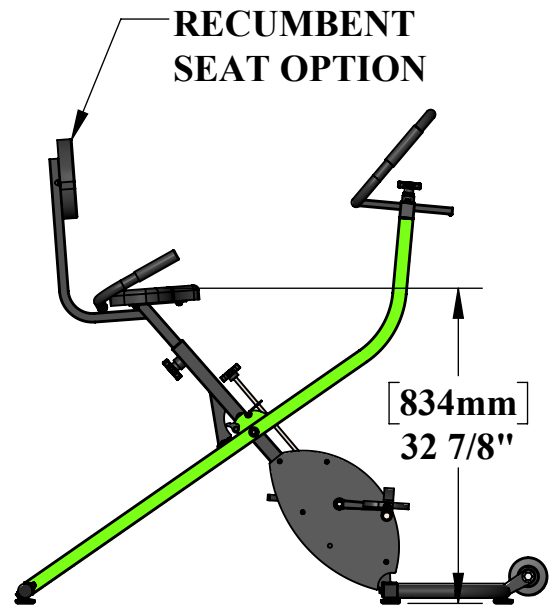
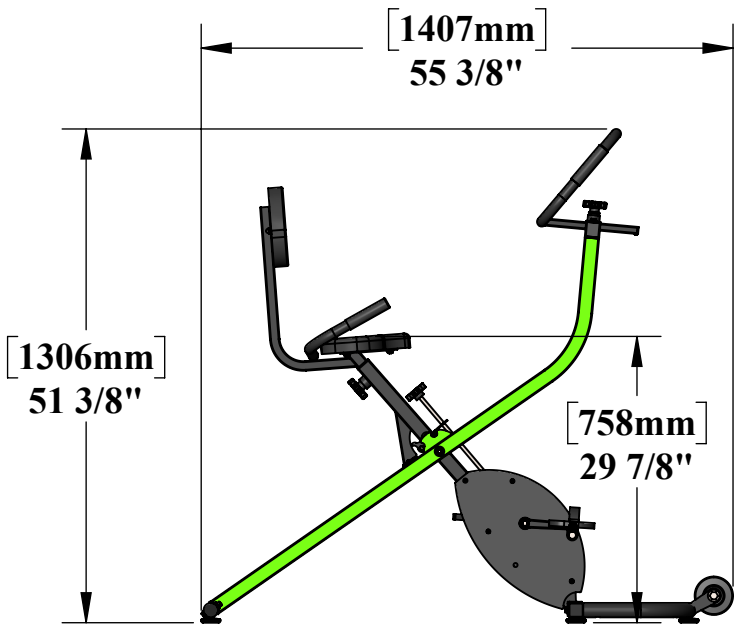


# RECUMBENT SEAT OPTION

PATENT PENDING



## SPECIFICATIONS:

**FRAME:** TYPE 316 STAINLESS STEEL

**SEAT & BACKREST:** UHMW PLASTIC & CLOSED CELL NATURAL FOAM

**SEAT:** 5 HEIGHT ADJUSTMENT SETTINGS

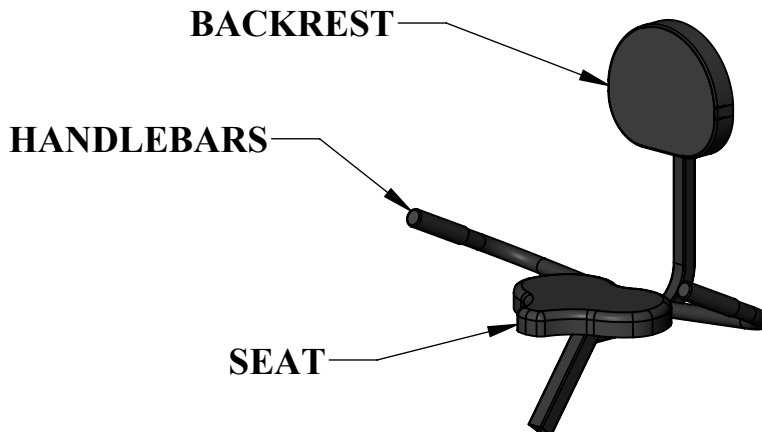
**POOL DEPTH:** 3-5 FEET(0.9-1.5 METERS) FOR OPTIMAL USE

**WEIGHT:** 50LBS (22kg)

**WEIGHT CAPACITY:** 300LBS (136kg)

**WARRANTY:** 3 YEARS FOR FRAME (NOT INCLUDING POWDER COAT)

1 YEAR FOR ALL OTHER COMPONENTS



9889 GARRYMORE LANE  
 MISSOULA, MT 59808  
 (406) 549-0769  
 FAX (406) 549-2602

NOTE:  
 \*SPECIFICATIONS ARE SUBJECT TO CHANGE WITHOUT NOTICE

PRODUCT:		RECUMBENT SEAT	
PART #:		F-RCMST	
SCALE:	1:20	DATE:	2/21/2018
DRAWN BY:	KR	REVISION:	A