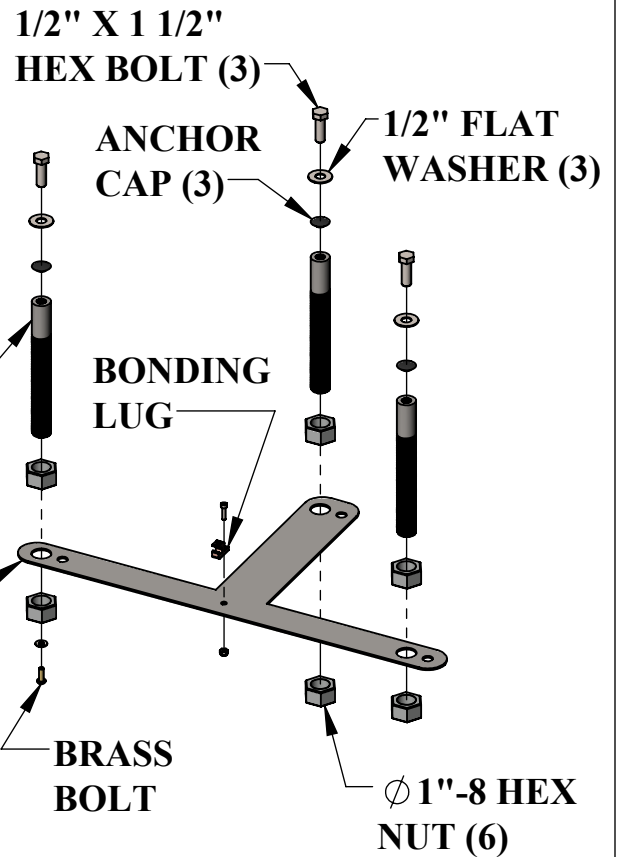
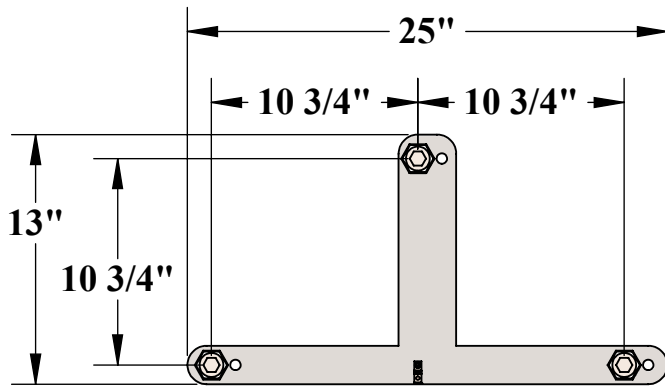


ELITE/ULTRA ANCHOR KIT SPEC



8-AWG SOLID
COPPER WIRE
(TO GRID)

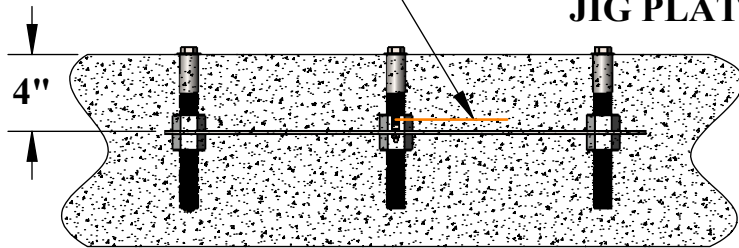
Ø1" X 8"
ANCHOR
INSERT (3)

JIG PLATE

BONDING
LUG

BRASS
BOLT

Ø1"-8 HEX
NUT (6)



PURPOSE:

FOR NEW OR RETROFIT INSTALLATION OF THE ADA COMPLIANT SPA LIFT ON ABOVE GROUND OR PARTIALLY RAISED POOLS AND SPAS. FOLLOW PRODUCT INSTALLATION INSTRUCTIONS.

TESTING & SAFETY:

INDEPENDENTLY VERIFIED TO MEET 2009 INTERNATIONAL BUILDING CODE, THE 2010 CALIFORNIA BUILDING CODE, AND ASCE7-05 WITH A SAFETY FACTOR OF 1.2 FOR THE DEAD LOAD AND 1.6 FOR THE LIVE LOAD WHEN INSTALLED ACCORDING TO INSTRUCTIONS. STRUCTURAL CALCULATIONS AVAILABLE UPON REQUEST.

INSTALLATION:

FOR INSTALLATION INTO REBAR REINFORCED CONCRETE POOL DECKS NO SMALLER THAN 3'-3" SQUARE BY 10" DEEP. REFER TO LIFT INSTALLATION INSTRUCTIONS FOR SPECIFICS. MUST BE BONDED ACCORDING TO NEC ARTICLE 680. OTHER CODES MAY APPLY; CHECK YOUR LOCAL CODE ENFORCEMENT AGENCY FOR SPECIFICS AND PERMIT REQUIREMENTS.



9889 GARRYMORE LANE
MISSOULA, MT 59808
(406) 549-0769
FAX (406) 549-2602

NOTE:
*SPECIFICATIONS ARE SUBJECT TO CHANGE WITHOUT NOTICE

PRODUCT: ELITE/ULTRA ANCHOR KIT	
PART #: F-SPAACK8	
SCALE: 1:10	DATE: 6/14/2017
DRAWN BY: KR	REVISION: A