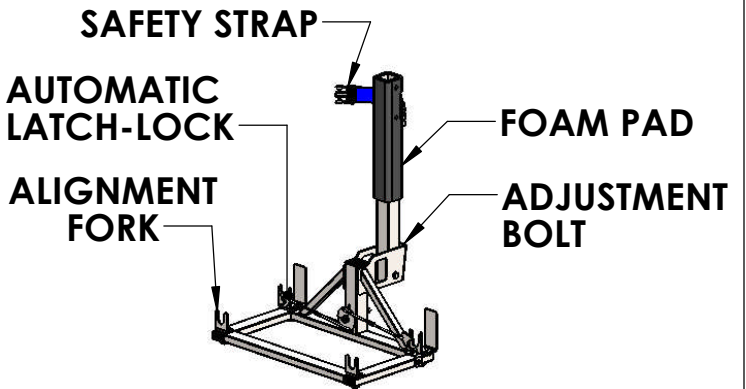
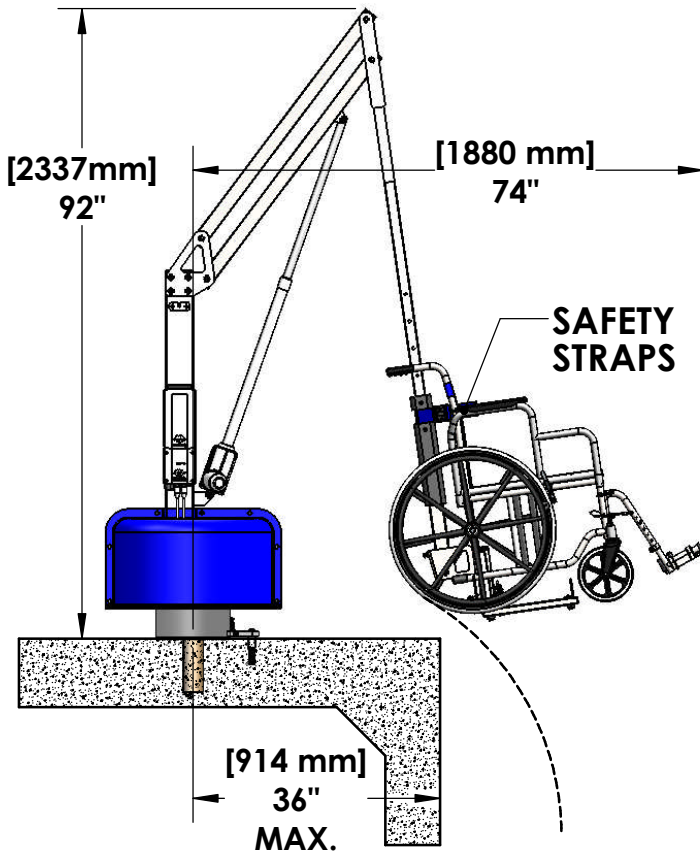


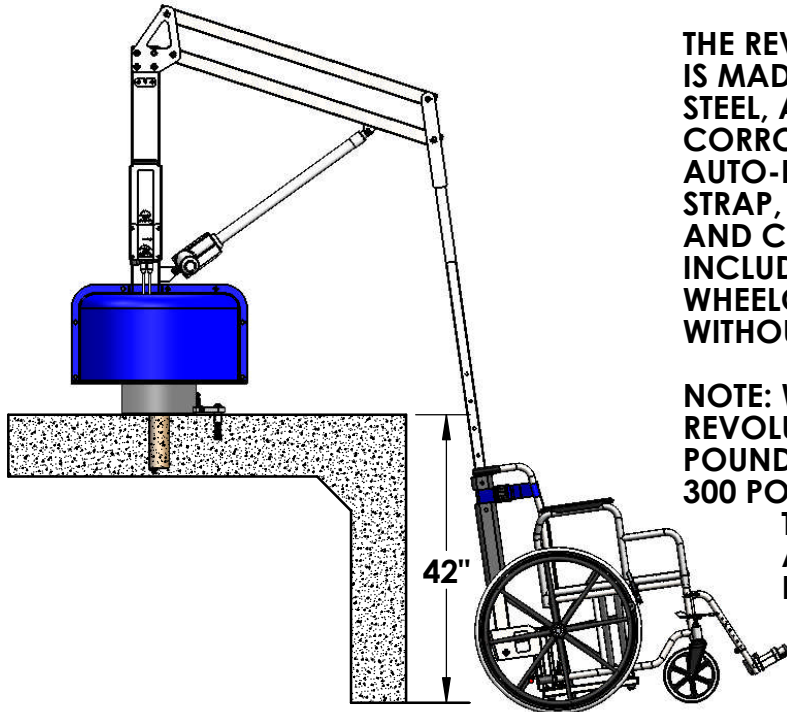
REVOLUTION WHEELCHAIR ATTACHMENT



WHEELCHAIR ATTACHMENT



24" FOLDING WHEELCHAIR



THE REVOLUTION WHEELCHAIR ATTACHMENT IS MADE ENTIRELY FROM TYPE 304 STAINLESS STEEL, AND IS POWDER-COATED FOR EXTRA CORROSION RESISTANCE. IT ALSO FEATURES AUTO-LOCKING LATCHES, A 3-PIECE SAFETY-STRAP, AND FOAM PAD FOR MAXIMUM SAFETY AND COMFORT. WHEN USED WITH THE INCLUDED 24" FOLDING STAINLESS STEEL WHEELCHAIR, IT ALLOWS FOR POOL ACCESS WITHOUT THE NEED TO TRANSFER.

NOTE: WHEN USING THIS ATTACHMENT WITH A REVOLUTION LIFT, THE LIFT IS DE-RATED TO 350 POUNDS FOR THE STANDARD REVOLUTION AND 300 POUNDS FOR THE DEEP DRAFT REVOLUTION! THE REVOLUTION LIFT NEEDS TO HAVE THE ANCHOR SETBACK NO MORE THAN 36" FOR THE WHEELCHAIR ATTACHMENT.

9889 GARRY MORE LANE
 MISSOULA, MT 59808
 (406) 549-0769
 FAX (406) 549-2602

Aqua Creek Products
 The Total Solution for Pool and Spa Access

NOTE:
 *SPECIFICATIONS ARE SUBJECT TO CHANGE WITHOUT NOTICE
 *ALL DIMENSIONS ARE IN INCHES

PRODUCT:	F-705-S2	
DWG #:	F-705-S2-1	
SCALE:	1:28	DATE: 8/5/15
DRAWN BY:	KR	REVISION: C