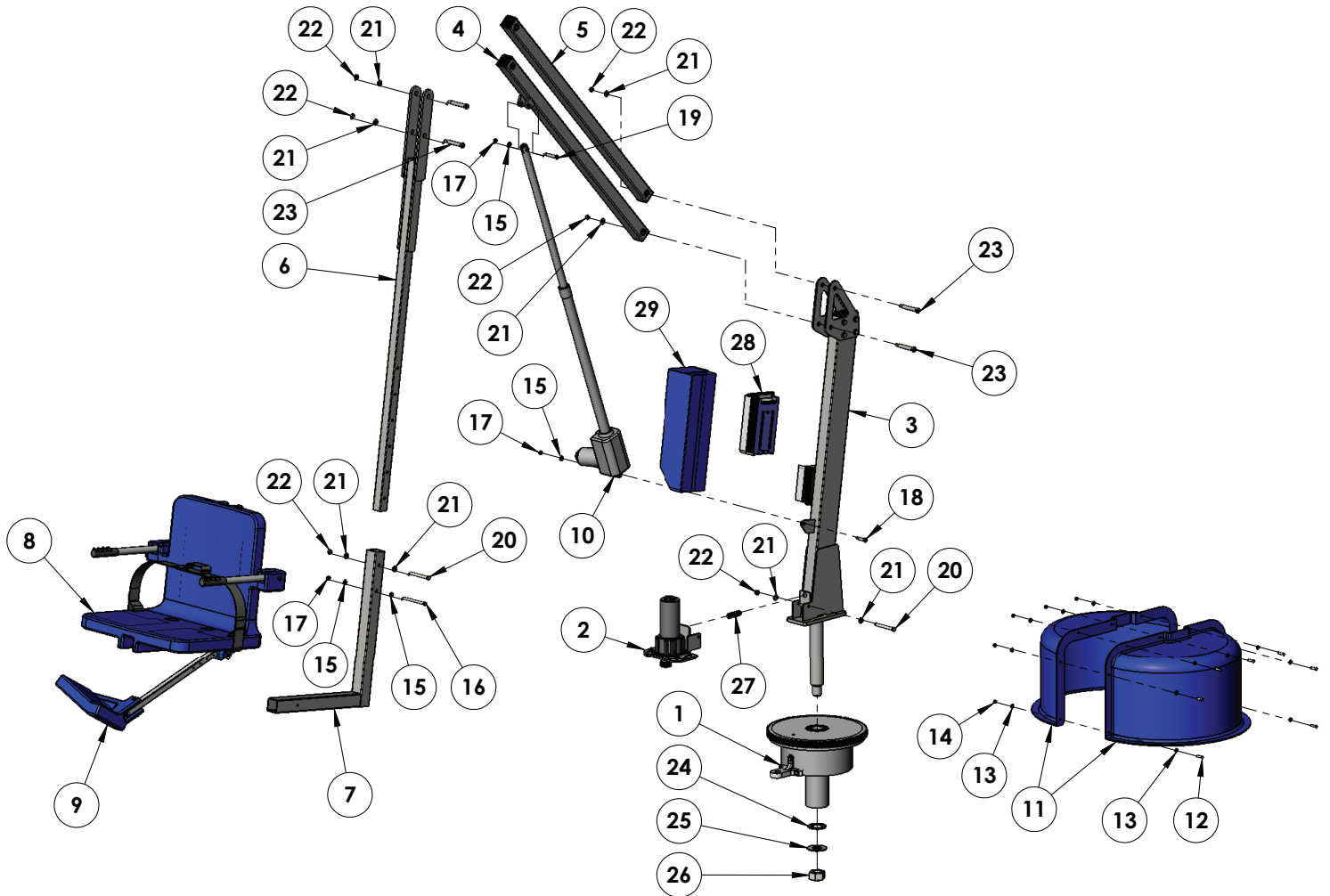


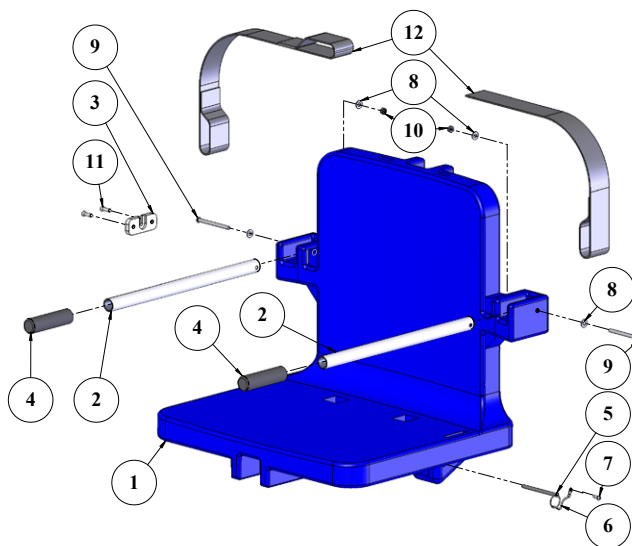
Titan Parts List



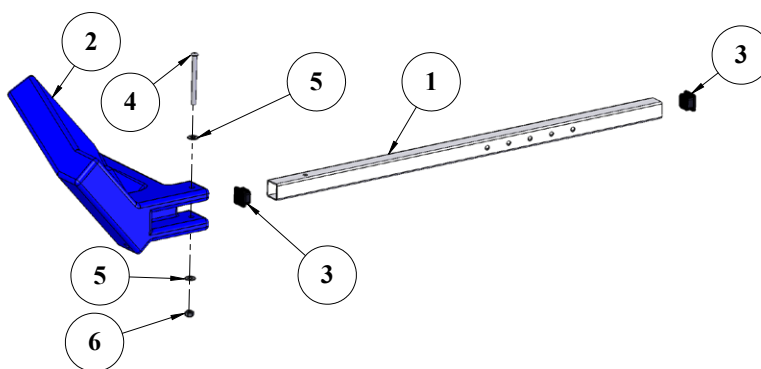
| ITEM # | QTY | PART # | DESCRIPTION |
|--------|-----|-----------------|-----------------------------------|
| 1 | 1 | TTN-200-80 | BASE ASSEMBLY |
| 2 | 1 | TTN-40M-70 | MOTOR ASSEMBLY |
| 3 | 1 | TTN-400-70 | MAST ASSEMBLY |
| 4 | 1 | TTN-500-65 | LIFTING ARM ASSEMBLY |
| 5 | 1 | TTN-600-65 | CONTROL ARM ASSEMBLY |
| 6 | 1 | TTN-700-66 | CHAIR ARM ASSEMBLY |
| 7 | 1 | REV-800-20 | CHAIR CRADLE ASSEMBLY |
| 8 | 1 | SA-0904WDCAB | 22" WIDE SEAT ASSEMBLY |
| 9 | 1 | F-0904FRA | FOOTREST ASSEMBLY |
| 10 | 1 | 340643-00 | 600mm LINAK ACTUATOR |
| 11 | 1 | P-931 | BLUE PLASTIC SHROUD |
| 12 | 7 | BH 1/4 X 1 | BOLT, 316 SS, 1/4-20 X 1 HCS |
| 13 | 14 | WF 1/4 | WASHER, FLAT, 1/4, 316 SS |
| 14 | 7 | NN 1/4 | NUT, 316 SS, NYLOCK, 5/16-18 |
| 15 | 4 | WF 5/16 | WASHER, FLAT, 5/16, 316 SS |
| 16 | 1 | BH 5/16 X 4 1/2 | BOLT, 316 SS, 5/16-18 X 4 1/2 HCS |

| ITEM # | QTY | PART # | DESCRIPTION |
|--------|-----|---------------------|---|
| 17 | 3 | NN 5/16 | NUT, 316 SS, NYLOCK, 5/16-18 |
| 18 | 1 | BS 3/8 X 1 1/4 18-8 | BOLT, 18-8 SS, 3/8 X 1 1/4 SHOULDER, 5/16-18 THREAD |
| 19 | 1 | BS 3/8 X 2 18-8 | BOLT, 18-8 SS, 3/8 X 2 SHOULDER, 5/16-18 THREAD |
| 20 | 2 | BH 3/8 X 3 3/4 | BOLT, 316 SS, 3/8-16 X 3 3/4 HCS |
| 21 | 8 | WF 3/8 | WASHER, FLAT, 3/8, 316 SS |
| 22 | 6 | NN 3/8 | NUT, 316 SS, NYLOCK, 3/8-16 |
| 23 | 4 | BS 1/2 X 3 18-8 | BOLT, 18-8 SS, 1/2 X 3 SHOULDER, 3/8-16 THREAD |
| 24 | 1 | TTN-STW-00 | TITAN SHAFT THRUST WASHER |
| 25 | 1 | TNSZCW-00 | CUSTOM FLAT WASHER |
| 26 | 1 | NNJ 1 3/8 | NUT, 316 SS, NYLOCK, 1 3/8-6 JAM |
| 27 | 1 | 1986K26 | SPRING, 18-8, COMPRESSION |
| 28 | 1 | BAJ1-U022-00 | 24 VOLT LINAK BATTERY |
| 29 | 1 | F-BCC-11 | CONTROL BOX/BATTERY COVER |

Chair & Footrest Parts List



| ITEM # | QTY | PART # | DESCRIPTION |
|--------|-----|-------------------------|---|
| 1 | 1 | P-905B | CHAIR, PLASTIC, 22", BLUE |
| 2 | 2 | P-2100FLA-38 | CHAIR II ARMREST TUBE |
| 3 | 1 | P-1208HSB | BRACKET, PLASTIC, HANDSET BRACKET |
| 4 | 2 | RUBBER HAND GRIPS | GRIP, RUBBER HAND GRIP |
| 5 | 1 | COTTER PIN, 1/4 X 3 1/4 | PIN, COTTERLESS PIN, 18-8 SS, 1/4 X 3 3/4 |
| 6 | 4 | LANYARD | LANYARD, FOR FOOTREST PIN, SS |
| 7 | 1 | SPH 10 X 3/4 | SCREW, 316 SS, #10 X 3/4", PHSMS |
| 8 | 4 | WF 1/4 | WASHER, FLAT, 1/4, 316 SS |
| 9 | 2 | BB 1/4 X 3-1/4 | BOLT, 316 SS, 1/4-20 X 3 1/4 BHSCS |
| 10 | 2 | NN 1/4 | NUT, 316 SS, NYLOCK, 1/4"-20 |
| 11 | 2 | SFL 12 X 3/4 | SCREW, 316 SS, #12 X 3/4 FHSMS |
| 12 | 1 | F-38SB | SEAT BELT, 2" BLACK W/VELCRO |



| ITEM # | QTY | PART # | DESCRIPTION |
|--------|-----|-----------------|--------------------------------|
| 1 | 1 | P-2035LEG REV B | LEG/FOOTREST TUBE |
| 2 | 1 | P-910PL | FOOTREST, PLASTIC, BLUE |
| 3 | 2 | SQR-1-14-20 | CAP, PLASTIC, 1"X1" SQUARE |
| 4 | 1 | BB 1/4 X 3 | BOLT, 316 SS, 1/4-20 X 3 BHSCS |
| 5 | 2 | WF 1/4 | WASHER, FLAT, 1/4, 316 SS |
| 6 | 1 | NN 1/4 | NUT, 316 SS, NYLOCK, 1/4"-20 |