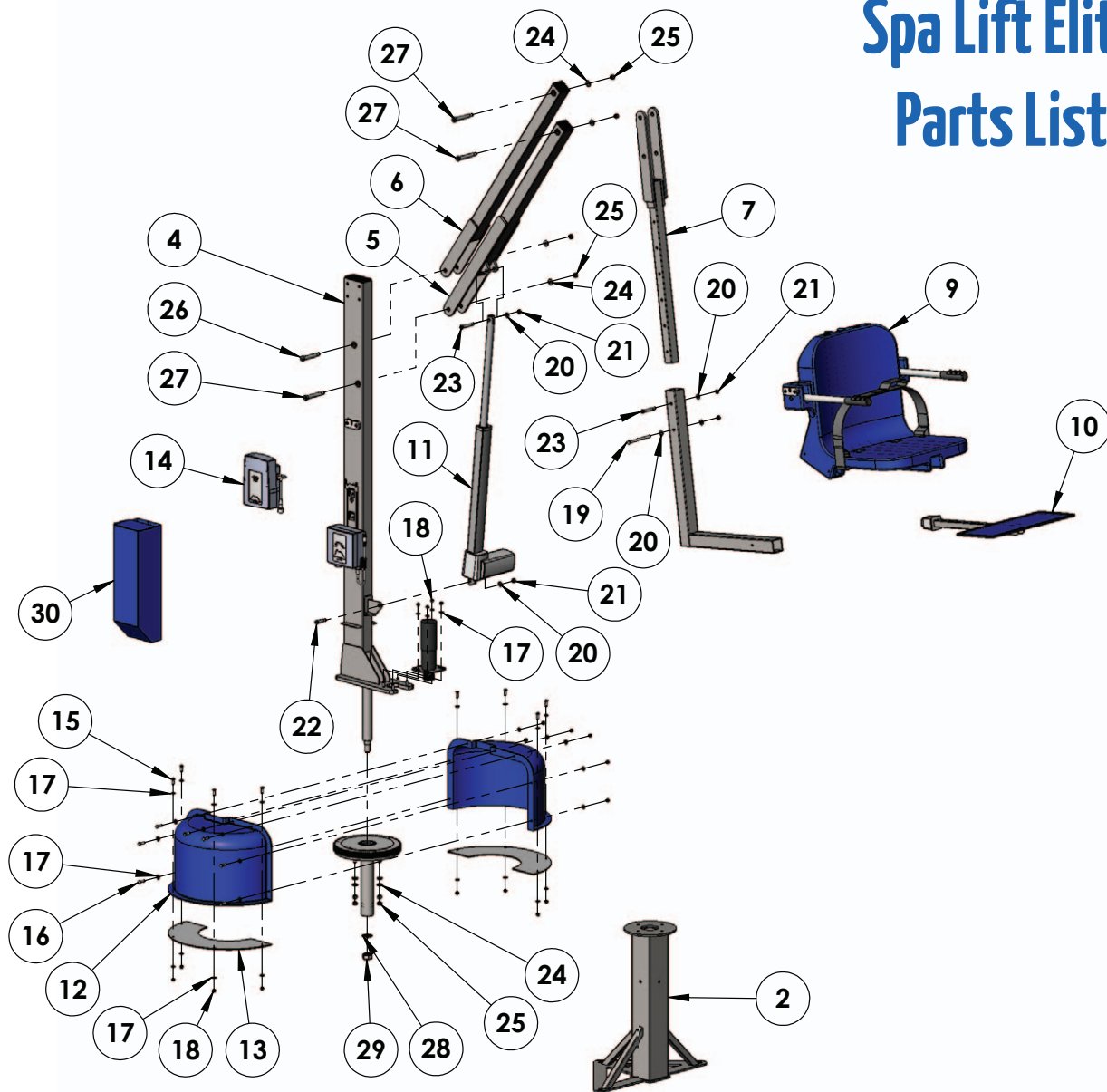


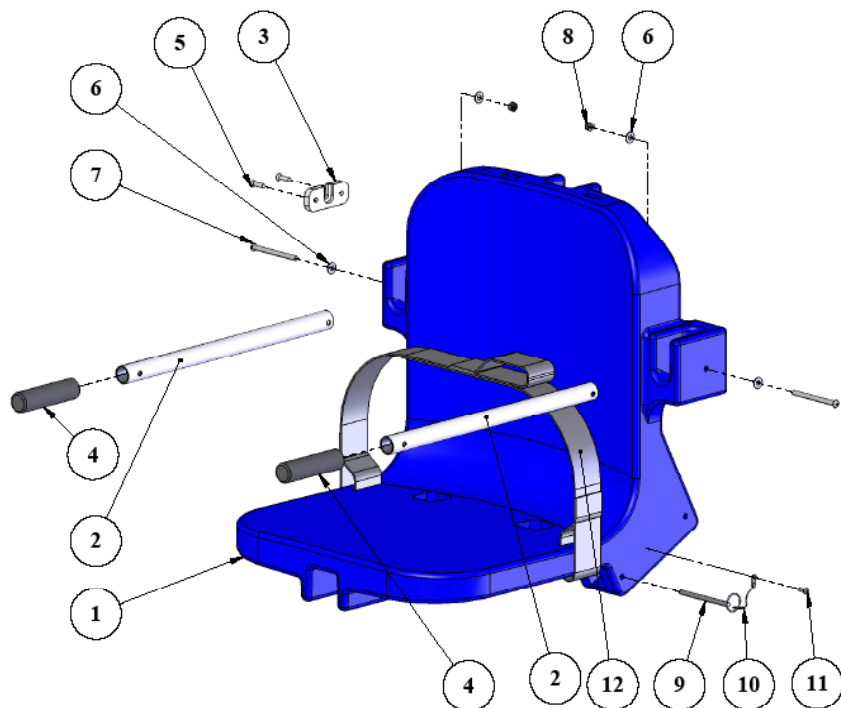
Spa Lift Elite Parts List



ITEM #	QTY	PART #	DESCRIPTION
1	1	SLE-100-01	BEARING HOUSING ASSEMBLY
2	1	SLE-200-01	BASE MAST WELDMENT
3	1	SCT-300-10	MOTOR ASSEMBLY
4	1	SLE-400-02	MAST ASSEMBLY
5	1	SLE-500-00	LIFTING ARM ASSEMBLY
6	1	SLE-600-00	CONTROL ARM ASSEMBLY
7	1	REV-700SP-00	CHAIR ARM ASSEMBLY
8	1	REV-800-20	CHAIR CRADLE ASSEMBLY
9	1	SA-0904CA-A	18" CHAIR ASSEMBLY
10	1	F-105LAR	LEGREST ASSEMBLY
11	1	VT1000-400MM	400MM ACTUATOR
12	1	P-920	PLASTIC SHROUD
13	2	SCT-135-01	FINGER GUARD
14	1	VCP100-29800	24V BATTERY
15	8	BH 1/4 X 3/4	1/4-20 X 3/4 HEX BOLT

ITEM #	QTY	PART #	DESCRIPTION
16	7	BH 1/4 X 1	1/4-20 X 1 HEX BOLT
17	34	WF 1/4	1/4 FLAT WASHER
18	19	NN 1/4	1/4-20 NYLOCK NUT
19	1	BH 5/16 X 4 1/2	5/16-18 X 4 1/2 HEX BOLT
20	5	WF 5/16	5/16 FLAT WASHER
21	4	NN 5/16	5/16-18 NYLOCK NUT
22	1	BS 3/8 X 1 1/4 18-8	3/8 X 1 1/4 SHOULDER BOLT
23	2	BS 3/8 X 2 18-8	3/8 X 2 SHOULDER BOLT
24	8	WF 3/8	3/8 FLAT WASHER
25	8	NN 3/8	3/8-16 NYLOCK NUT
26	1	BS 1/2 X 2 3/4 18-8	1/2 X 2 3/4 SHOULDER BOLT
27	3	BS 1/2 X 3 18-8	1/2 X 3 SHOULDER BOLT
28	1	WFC 3/4	3/4 CUSTOM WASHER
29	1	NH 3/4	3/4-10 HEX NUT
30	1	F-BCC-11	BATTERY/CONTROL BOX COVER

Seat Assembly Parts List



ITEM #	QTY	PART #	DESCRIPTION
1	1	P-901	CHAIR, PLASTIC, 18" BLUE
2	2	P-2100FLA-38	CHAIR II ARMREST TUBE
3	1	P-1208HSB	BRACKET, PLASTIC, HANDSET BRACKET
4	2	RUBBER HAND GRIPS	GRIP, RUBBER HAND GRIP
5	2	SFL 12 X 3/4	SCREW, 316 SS, #12 X 3/4", FHSMS
6	4	WF 1/4	WASHER, FLAT, 1/4, 316 SS
7	2	BB 1/4 X 3-1/4	BOLT, 316 SS, 1/4 X 3 1/4 BHSCS
8	2	NN 1/4	NUT, 316 SS, NYLOCK, 1/4"
9	1	COTTER PIN, 1/4 X 3 1/4	PIN, COTTERLESS PIN, 18-8 SS, 1/4 X 3 3/4
10	1	LANYARD	LANYARD, FOR FOOTREST PIN, SS
11	1	SPH 10 X 3/4	SCREW, 316 SS, #10 X 3/4", PHSMS
12	1	F-38SB	SEAT BELT, 2", STANDARD, BLACK